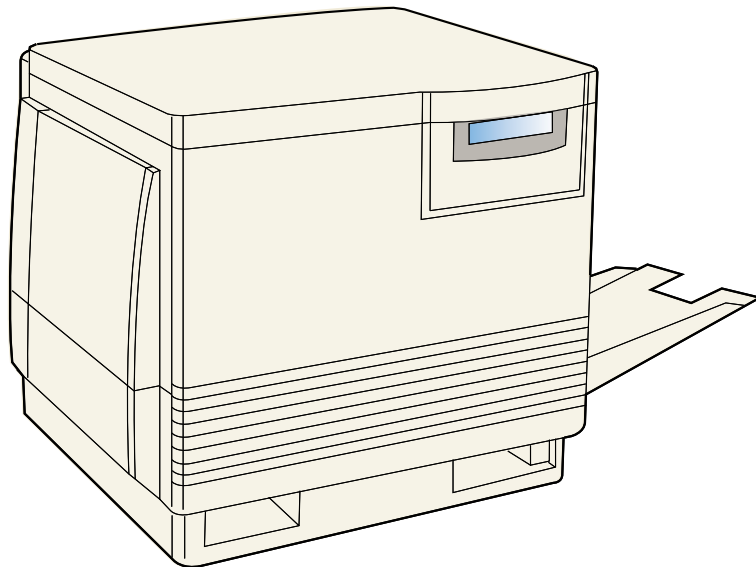


Panasonic

Color Laser Printer

Operating Instructions

Model No. **KX-P8420**



Please carefully read the Operating Instructions and the [Drivers and Utilities Reference Guide](#) before operating. Keep this CD-ROM in the protective case. Do not expose the CD-ROM to direct sunlight or extreme heat and do not scratch or smudge the surface of the CD-ROM.



As an ENERGY STAR® Partner, Panasonic has determined that this product meets the ENERGY STAR® guidelines for energy efficiency. (ENERGY STAR is a U.S. registered mark.)



Adobe® PostScript® 3™

Adobe, Acrobat, Adobe Photoshop, Adobe Illustrator, PostScript, PostScript 3, Adobe Type Manager and the PostScript 3 logo are trademarks of Adobe Systems Incorporated.



Fiery, Fiery Driven and the Fiery Driven logo are trademarks owned by Electronics for Imaging and registered with the U.S. Patent and Trademark Office and in certain other foreign jurisdictions.

- Fiery WebTools, Fiery WebSpooler, Fiery WebLink, Fiery WebStatus, ColorWise and VisualCal are trademarks of Electronics for Imaging, Inc.
- Apple, AppleTalk, LocalTalk, ColorSync, Macintosh, and TrueType are trademarks or registered trademarks of Apple Computer, Inc.
- Ethernet is a trademark of Xerox Corporation.
- IBM is a trademark of International Business Machines Corporation.
- SunOS, Solaris and Java are trademarks or registered trademarks of Sun Microsystems, Inc. in the United States and other countries.
- QuarkXpress is a trademark of Quark, Inc.
- CorelDRAW is a trademark of Corel Corporation.
- Netscape and Netscape Navigator are trademarks of Netscape Communications Corporation.
- NetWare, Novell and Internetwork Packet Exchange (IPX) are trademarks or registered trademarks of Novell, Inc.
- Times and Helvetica are trademarks of Linotype-Hell AG and/or its subsidiaries.
- PANTONE is a trademark of Pantone, Inc.
- UNIX is a trademark of X/Open Company, Ltd.
- Microsoft, MS-DOS, Windows and Windows NT are registered trademarks of Microsoft Corporation in the United States and/or other countries.
- Pentium is a registered trademark of Intel Corporation.
- Centronics is a trademark of Centronics Data Computer Corporation.
- Avery is a registered trademark and all Avery codes are trademarks of Avery Dennison Corporation.
- All other acknowledgements are trademarks or registered trademarks of their respective holders.

It is granted from Microsoft Corporation to use Microsoft® Windows® Screen Shots.
Acrobat® Reader copyright ©1987-1997 Adobe Systems Incorporated. All rights reserved.

The operating instructions are subject to change without notice.

© Electronics for Imaging, Inc. 1998
© Kyushu Matsushita Electric Co., Ltd. 1998

EFI STANDARD SOFTWARE LICENSE AGREEMENT

Electronics for Imaging, Inc. grants to you a non-exclusive, non-transferable license to use the software and accompanying documentation ("Software") included with the Fiery® server you have purchased, including without limitation the PostScript® software provided by Adobe Systems Incorporated.

You may:

- a.** use the Software solely for your own customary business purposes and solely with the Fiery® server;
- b.** use the digitally-encoded machine-readable outline and bitmap programs ("Font Programs") provided with the Fiery® server in a special encrypted format ("Coded Font Programs") to reproduce and display designs, styles, weights, and versions of letters, numerals, characters and symbols ("Typefaces") solely for your own customary business purposes on the screen of the Fiery® server or Macintosh monitor used with the Fiery® server;
- c.** use the trademarks used by Electronics for Imaging to identify the Coded Font Programs and Typefaces reproduced therefrom ("Trademarks"); and
- d.** assign your rights under this Agreement to a transferee of all of your right, title and interest in and to the Fiery® server provided the transferee agrees to be bound by all of the terms and conditions of this Agreement.

You may not:

- a.** make use of the Software, directly or indirectly, to print bitmap images with print resolutions of 600 dots per inch or greater, or to generate fonts or typefaces for use other than with the Fiery® server;
- b.** make or have made, or permit to be made, any copies of the Software, Coded Font Programs, accompanying documentation or portions thereof, except as necessary for use with the Fiery® Server purchased by you; provided, however, that under no circumstances may you make or have made, or permit to be made, any copies of that certain portion of the Software which has been included on the Fiery® server hard disk drive. You may not copy the documentation;
- c.** attempt to alter, disassemble, decrypt or reverse engineer the Software, Coded Font Programs or accompanying documentation.
- d.** rent or lease the Software.

Proprietary Rights

You acknowledge that the Software, Coded Font Programs, Typefaces, Trademarks and accompanying documentation are proprietary to Electronics for Imaging and its suppliers and that title and other intellectual property rights therein remain with Electronics for Imaging and its suppliers. Except as stated above, this Agreement does not grant you any right to patents, copyrights, trade secrets, trademarks (whether registered or unregistered), or any other rights, franchises or licenses in respect of the Software, Coded Font Programs, Typefaces, Trademarks or accompanying documentation. You may not adapt or use any trademark or trade name which is likely to be similar to or confusing with that of Electronics for Imaging or any of its suppliers or take any other action which impairs or reduces the trademark rights of Electronics for Imaging or its suppliers. The trademarks may be used only to identify printed output produced by the Coded Font Programs. At the reasonable request of Electronics for Imaging, you must supply samples of any Typeface identified with a trademark. The MacApp software is proprietary to Apple Computer, Inc. and is licensed to Electronics for Imaging, Inc. for distribution only for use in combination with Fiery® server software utilities.

Confidentiality

You agree to hold the Software and Coded Font Programs in confidence, disclosing the Software and Coded Font Programs only to authorized users having a need to use the Software and Coded Font Programs as permitted by this Agreement and to take all reasonable precautions to prevent disclosure to other parties.

Remedies

Unauthorized use, copying or disclosure of the Software, Coded Font Programs, Typefaces, Trademarks or accompanying documentation will result in automatic termination of this license and will make available to Electronics for Imaging other legal remedies.

Limited Warranty And Disclaimer

Electronics for Imaging warrants that, for a period of ninety (90) days from the date of delivery to you, the Software under normal use will perform without significant errors that make it unusable. Electronics for Imaging's entire liability and your exclusive remedy under this warranty (which is subject to you returning Fiery to Electronics for Imaging or an authorized dealer) will be, at Electronics for Imaging's option, to use reasonable commercial efforts to attempt to correct or work around errors, to replace the Software with functionally equivalent software, or to refund the purchase price and terminate this Agreement. Some states do not allow limitations on duration of implied warranty, so the above limitation may not apply to you.

Except for the above express limited warranty, Electronics for Imaging makes and you receive no warranties or conditions on the Product, express, implied, or statutory, and Electronics for Imaging specifically disclaims any implied warranty or condition of merchantability or fitness for a particular purpose.

For warranty service, please contact your authorized service/support center.

EXCEPT FOR THE ABOVE EXPRESS LIMITED WARRANTY, ELECTRONICS FOR IMAGING MAKES AND YOU RECEIVE NO WARRANTIES OR CONDITIONS ON THE SOFTWARE OR CODED FONT PROGRAMS, EXPRESS, IMPLIED, STATUTORY, OR IN ANY OTHER PROVISION OF THIS AGREEMENT OR COMMUNICATION WITH YOU, AND ELECTRONICS FOR IMAGING SPECIFICALLY DISCLAIMS ANY IMPLIED WARRANTY OR CONDITION OF MERCHANTABILITY OR FITNESS FOR A PARTICULAR PURPOSE. Electronics for Imaging does not warrant that the operation of the software will be uninterrupted or error free or that the Software will meet your specific requirements.

Limitation Of Liability

IN NO EVENT WILL ELECTRONICS FOR IMAGING OR ITS SUPPLIERS BE LIABLE FOR ANY DAMAGES, INCLUDING LOSS OF DATA, LOST PROFITS, COST OF COVER OR OTHER SPECIAL, INCIDENTAL, CONSEQUENTIAL OR INDIRECT DAMAGES ARISING FROM THE USE OF THE SOFTWARE, CODED FONT PROGRAMS OR ACCOMPANYING DOCUMENTATION, HOWEVER CAUSED AND ON ANY THEORY OF LIABILITY. THIS LIMITATION WILL APPLY EVEN IF ELECTRONICS FOR IMAGING OR ANY AUTHORIZED DEALER HAS BEEN ADVISED OF THE POSSIBILITY OF SUCH DAMAGE. YOU ACKNOWLEDGE THAT THE PRICE OF FIERY REFLECTS THIS ALLOCATION OF RISK. BECAUSE SOME STATES/JURISDICTIONS DO NOT ALLOW THE EXCLUSION OR LIMITATION OF LIABILITY FOR CONSEQUENTIAL OR INCIDENTAL DAMAGES, THE ABOVE LIMITATION MAY NOT APPLY TO YOU.

Export Controls

You agree that you will not export or re-export the Software or Coded Font Programs in any form without the appropriate United States and foreign government licenses. Your failure to comply with this provision is a material breach of this Agreement.

Government Use

Use, duplication or disclosure of the Software by the United States Government is subject to restrictions as set forth in subdivision (c) (1) (ii) of the Rights in Technical Data and Computer Software clause at DFARS 252.227-7013 or in subparagraphs (c) (1) and (2) of the Commercial Computer Software—Restricted Right Clause at 48 CFR 52.227-19, as applicable.

Third Party Beneficiary

You are hereby notified that Adobe Systems Incorporated, a California corporation located at 1585 Charleston Road, Mountain View, California 94039-7900 ("Adobe") is a third-party beneficiary to this Agreement to the extent that this Agreement contains provisions which relate to your use of the Fonts, the Coded Font Programs, the Typefaces and the Trademarks licensed hereby. Such provisions are made expressly for the benefit of Adobe and are enforceable by Adobe in addition to Electronics for Imaging.

General

This Agreement will be governed by the laws of the State of California.

This Agreement is the entire agreement held between us and supersedes any other communications or advertising with respect to the Software, Coded Font Programs and accompanying documentation.

If any provision of this Agreement is held invalid, the remainder of this Agreement shall continue in full force and effect.

If you have any questions, please see Electronics for Imaging's web site at www.efi.com.

FOR USERS IN UNITED STATES

Note: This equipment has been tested and found to comply with the limits for a Class A digital device, pursuant to Part 15 of the FCC Rules. These limits are designed to provide reasonable protection against harmful interference when the equipment is operated in a commercial environment. This equipment generates, uses and can radiate radio frequency energy and, if not installed and used in accordance with the instructions manual, may cause harmful interference to radio communications.

Operation of this equipment in a residential area is likely to cause harmful interference in which case the user will be required to correct the interference at his own expense.

FCC Caution: To assure continued compliance, (example—use only shielded interface cables when connecting to computer or peripheral devices). Any changes or modifications not expressly approved by the party responsible for compliance could void the user's authority to operate this equipment.

Technical Support Calls

If you have read this manual and tried the troubleshooting procedures and you are still having difficulty, please contact the reseller from which the unit was purchased. You may also call the end user technical support telephone number which is operational during East Coast business hours (9:00 AM to 7:00 PM). The end user technical support number is 1-888-744-2424.

This number is available within the U.S. only.

Helpful Phone Numbers

To locate your nearest sales dealer	CALL 1-800-742-8086 ask for COLOR
To order consumables	CALL 1-800-222-0584
To order operating instructions/CD's	CALL 1-800-833-9626
To locate your nearest authorized service center	CALL 1-888-744-2424
For technical support	CALL 1-888-744-2424
Automated 24-hour support via Fax back	CALL 1-800-222-0584
Electronic bulletin board	CALL 1-201-863-7845
World Wide Web Technical & Driver Support	http://www.panasonic.com/alive

Contents

EFI STANDARD SOFTWARE LICENSE AGREEMENT	4
For Your Safety	12
General	12
Power source	12
Laser safety	12
Ozone release	12
Moving the unit	13
Caution labels	14
Cautions	16
CD-ROM	18
Static electricity damage	19
Waste disposal method	19
Features of the KX-P8420	20
High quality	20
High speed	20
Easy operation	20
Networking and client capabilities	20
Color capabilities	21
Color management	21
Fiery WebTools	22
System requirements	23
With a Windows computer	23
With a Macintosh computer	23
Minimum space requirements	24
Power source	24
Unpacking	25
Part names	26
Front side view	26
Rear side view	26
Front panel overview	27
LCD (Liquid Crystal Display) panel	27
Activity lights	27
Buttons	28

Chapter 1

Before You Start

Chapter 2

Printer Setup

Setting up the printer 29

- Preparing the imaging unit 29
- Setting up the output tray 30
- Installing the toner cartridges 31
- Loading media 33
- Connecting the printer to a computer 35
- Using a parallel interface cable 36
- Power on 37
- Margins and print area 38
- Loading media in the multi-purpose tray 39

Using the front panel. 44

- Status messages 44
- Error messages 45
- Top-level menus. 45
- Printing pages from the front panel 47

Chapter 3

Connecting the Printer to a Network

Network connections 49

- Ethernet network connections 49
- Token Ring network connections 51

Parallel cable connection 52

Setting up TCP/IP printing 53

- Setting up the printing environment 53
- UNIX server print queues. 55
- Verifying the TCP/IP network connection. 58
- Setting up TCP/IP clients for printing 59
- Setting up TCP/IP clients for running Fiery WebTools. 59
- Printing and administering print jobs 60

Setting up IPX (Novell) printing 61

- Overview of IPX printing to the KX-P8420 61
- Configuring the NetWare server. 62
- Setting up a KX-P8420 print queue 66
- Setting up NetWare Windows clients 69

Using AppleTalk with Macintosh computers on an IPX (Novell) network 69

Setting up Fiery WebTools 70

Setting up Windows 95 clients for SMB printing 73

Setting up Windows NT 4.0 clients for SMB printing. 76

Chapter 4

Installing Software for Windows

General steps	77
Installing the PostScript printer driver for Windows	78
Installing the PostScript printer driver for Windows 95	78
Specifying installed devices	79
Completing the connection for Windows 95	80
Setting up PostScript printing with Windows NT 4.0	82
Installing the PostScript printer driver for Windows NT 4.0	83
Specifying installed devices	84
Completing the connection for Windows NT 4.0	85
Installing the PostScript printer driver for Windows 3.1	89
Specifying installed devices	90
Completing the connection for Windows 3.1	91
Installing additional software for Windows users	94
PostScript and TrueType fonts	94
ATM (Windows 95 and Windows 3.1)	94
Color reference pages	96
Removing the KX-P8420 software	98

Chapter 5

Installing Macintosh Software

General steps for installing Macintosh software	100
Installing Macintosh printing software	101
Installing the Adobe PostScript printer driver	101
Setting up the KX-P8420 in the Chooser	102
Installing the KX-P8420 ColorSync profile	103
Installing additional software for Macintosh users	105
Adobe Type Manager	105
PostScript and TrueType fonts	105

Chapter 6

Setup from the Front Panel and WebSetup

Initial Setup from the front panel	106
ENERGY STAR®	107
Parallel Port Setup	107
Network Port Setup	107
Network Protocol Setup	109
Language Setup	111
Reset Queues	111
Hard Disk	111
Completing setup from Fiery WebSetup	112
Accessing Fiery WebSetup	112
System Setup	114
Network Setup	116
Printer Setup	126
Saving your settings and exiting Fiery WebSetup	127

Chapter 7

Color Calibration

Bias adjustment 129

VisualCal, 30% match calibration 134

 Calibrating the printer using VisualCal 135

 Resetting the VisualCal calibration 140

Color adjustment 141

 Resetting the Color adjustment 143

Chapter 8

Care and Maintenance

Cleaning 144

User replaceable components 149

Displaying the life of supplies and coverage of toner 152

 Maintenance 152

 Image Area 153

Clearing media jams 153

Troubleshooting 167

Front Panel Messages 177

 Front panel status and error messages 177

 Front panel service calls 183

Repacking 184

Chapter 9

Options

Upgrade options 193

Removing and replacing the printer controller board 193

Installing a hard disk drive 196

 Kit contents 196

 Initializing the hard disk 199

Installing additional memory 199

 Kit contents 199

 Installing SDRAM DIMMs 200

Installing network cards 202

 Kit contents 202

Appendix

Specifications 205

 Printer 205

 Media 206

 Bidirectional Parallel Interface 213

 Controller 214

Index 215

For Your Safety

General

Warning

- To prevent fire or shock hazard, do not expose this product to rain or any type of moisture.

Caution

- Do not open covers and do not attempt to repair the unit yourself. Refer servicing to qualified personnel.

Power source

Warning

- The power source voltage of this unit is listed on the nameplate. Only plug the unit into an outlet with the proper voltage.
- When you operate this equipment, the outlet should be near the equipment and accessible.
- To ensure safe operation the AC cord supplied must be inserted into standard three-prong AC outlet which is effectively grounded (earthed) through the normal wiring.
- The fact that the equipment operates satisfactorily does not imply that the power point is grounded (earthed) and that the installation is completely safe. For your safety, if in any doubt about the effective grounding (earthing) of the power point, consult a qualified electrician.
- If the plug cannot be inserted into the AC outlet, contact a licensed electrician to replace the outlet with a properly grounded (earthed) one. Do not defeat the purpose of the grounding (earthing) plug (ex. do not use a conversion plug).

Laser safety

Caution

- This printer utilizes a laser. Use of controls or adjustments or performance of procedures other than those specified herein may result in hazardous radiation exposure.

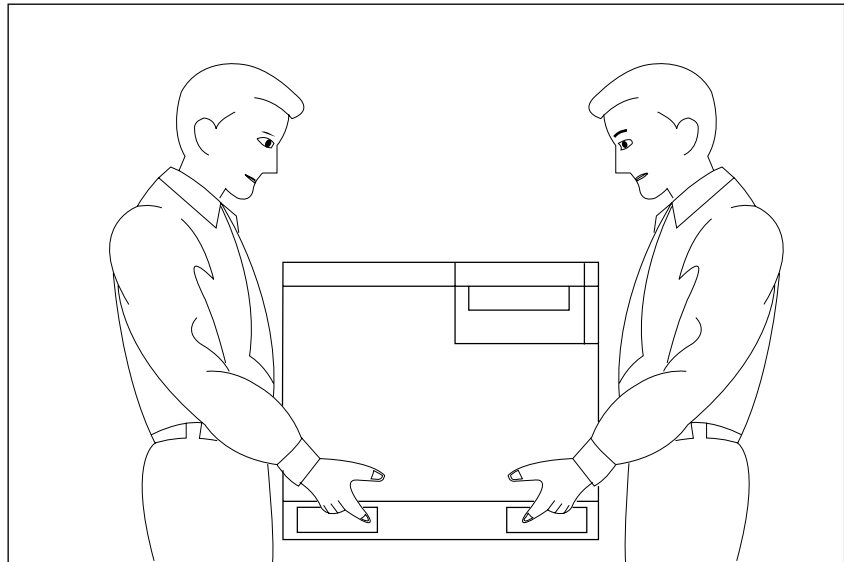
Ozone release

Warning


- Make sure that the printer is installed in a well ventilated room so as not to increase density of ozone in the air. Since ozone is heavier than air, it is recommended that air at floor level be ventilated.

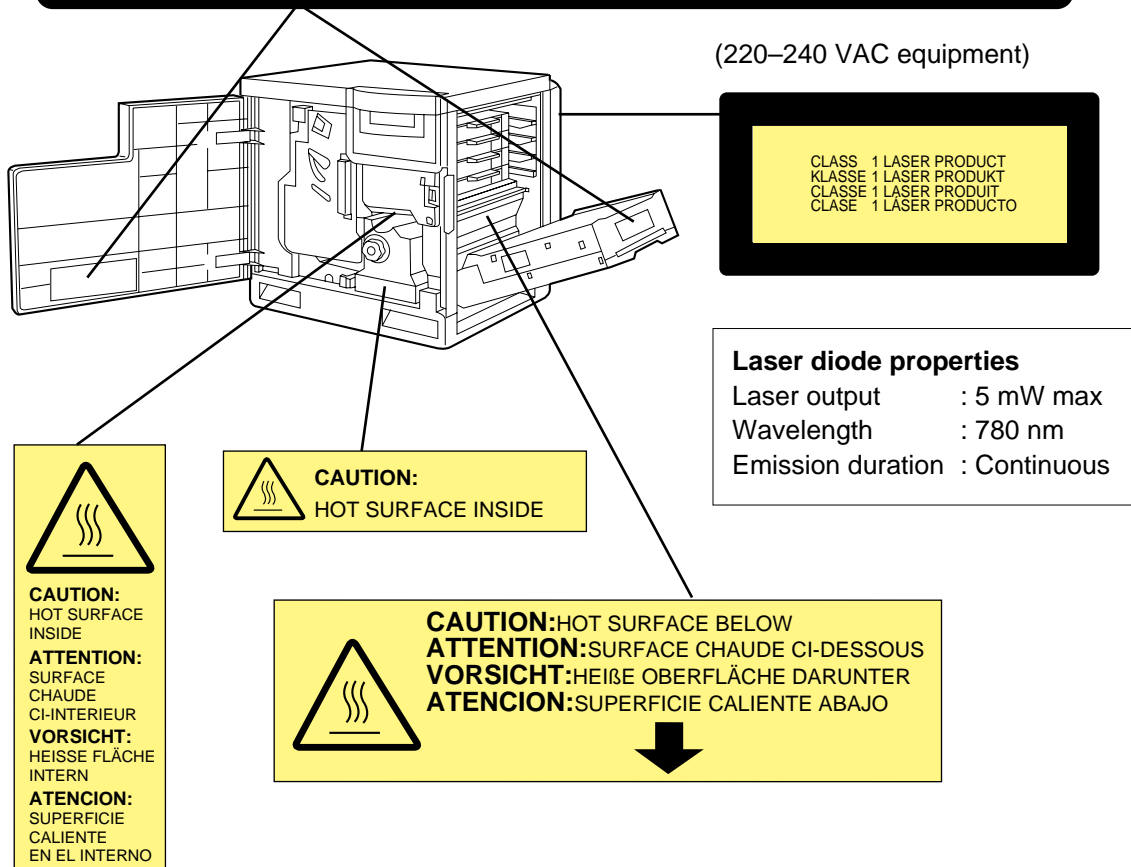
Moving the unit

The printer weighs approximately 48.2 kg {106.2 lbs.}. It must be handled by two people. Turn the power off and remove the power cord when handling the unit.



Caution labels

DANGER: Invisible laser radiation when open and interlock defeated. AVOID DIRECT EXPOSURE TO BEAM.	CAUTION: Invisible laser radiation when open and interlocks defeated. AVOID EXPOSURE TO BEAM.	VORSICHT: Unsichtbare Laserstrahlung, wenn Abdeckung geöffnet und Sicherheitsverriegelung überbrückt. NICHT DEM STRAHL AUSSETZEN.	ATTENTION: Rayonnement laser invisible dangereux en cas d'ouverture et lorsque la sécurité est neutralisée. EXPOSITION DANGEREUSE AU FAISCEAU.		
PELIGRO: Cuando se abre y se invalida el bloqueo, se producen radiaciones invisibles de láser. EVITESE LA EXPOSICIÓN A TALES RAYOS.	VARNING: Osynlig laserstrålning när denna del är öppnad och spärrar är urkopplade. STRÅLEN ÄR FARLIG.	VARO! Näkymätöntä avallaessa ja suojalukitus ohitettaessa olet alttiina lasersäteilylle. ÄLÄ KATSO SATEESEEN.	VARNING: Osynlig laserstrålning när denna del är öppnad och spärrar är urkopplade. BETRAKTA EJ STRÅLEN.	ADVARSEL: Usynlig laserstrålning ved åbning når sikkerhedsafbrydere er ude af funktion. UNDGÅ UDSÆTTELSE FOR STRÅLING.	ADVARSEL: Usynlig laserstrålning når deksel åpnes og sikkerhetslas brytes. UNNGÅ EKSPONERING FOR STRÅLEN.



FOR USERS IN AUSTRALIA





This mark shows that the product complies with AS/NZS 3548.

FOR USERS IN U.K.

IMPORTANT:

FOR YOUR SAFETY PLEASE READ THE FOLLOWING TEXT CAREFULLY

This printer is supplied with a moulded three pin mains plug each for your safety and convenience. A 13 amp fuse is fitted in this plug. Should the fuse need to be replaced please ensure that the replacement fuse has a rating of 13 amps and that it is approved by ASTA or BSI to BS 1362.

Check for the ASTA mark  or the BSI mark  on the body of the fuse.

If the plug contains a removable fuse cover you must ensure that it is refitted when the fuse is replaced. If you lose the fuse cover the plug must not be used until a replacement cover is obtained. A replacement fuse cover can be purchased from your local Panasonic Dealer.

IF THE FITTED MOULDED PLUG IS UNSUITABLE FOR THE SOCKET OUTLET IN YOUR HOME THEN THE FUSE SHOULD BE REMOVED AND THE PLUG CUT OFF AND DISPOSED OF SAFELY. THERE IS A DANGER OF SEVERE ELECTRICAL SHOCK IF THE CUT OFF PLUG IS INSERTED INTO ANY 13 AMP SOCKET.


If a new plug is to be fitted please observe the wiring code as shown below. If in any doubt please consult a qualified electrician.

WARNING: THIS APPLIANCE MUST BE EARTHED.

IMPORTANT: The wires in this mains lead are coloured in accordance with the following code.

Green-and-Yellow: Earth Blue: Neutral Brown: Live

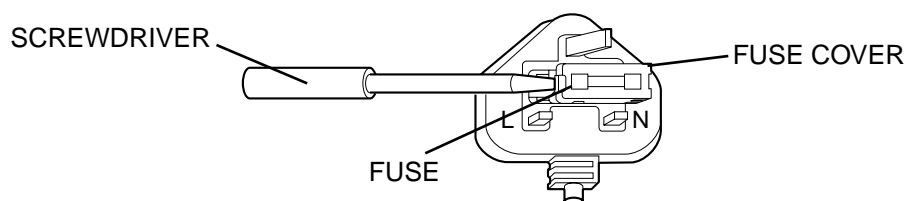
As the colours of the wire in the mains lead of this appliance may not correspond with the coloured markings identifying the terminals in your plug, proceed as follows.

The wire which is coloured GREEN-AND-YELLOW must be connected to the terminal in the plug which is marked with the letter E or by the Earth symbol  , or coloured GREEN or GREEN-AND-YELLOW.

The wire which is coloured BLUE must be connected to the terminal in the plug which is marked with the letter N or coloured BLACK.

The wire which is coloured BROWN must be connected to the terminal in the plug which is marked with the letter L or coloured RED.

How to replace the fuse: Open the fuse compartment with a screwdriver and replace the fuse.

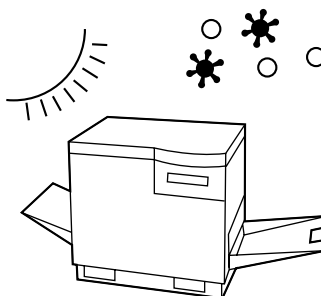
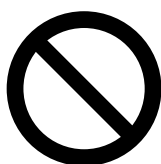


Chapter 1 *Before You Start*

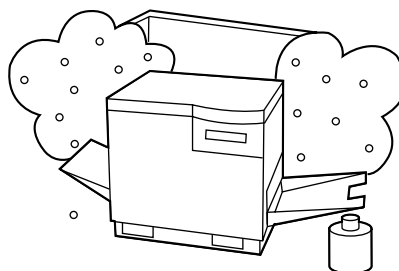
Before you set up your new printer, please read the following information.

Cautions

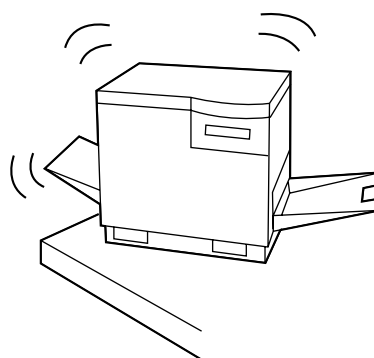
To avoid problems, do not use the equipment under the following conditions:



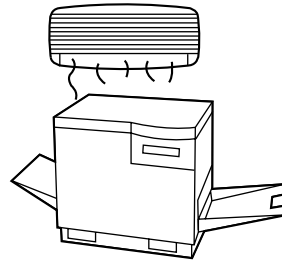
- Direct exposure to sunlight
 - Extremely high or low temperature [temperature range: 10°C to 32.5°C (50°F to 90.5°F)]
 - Extremely high or low humidity (humidity range: 20% to 80% RH)
 - Condensation due to rapid change of temperature
-



- Areas of poor ventilation
 - Areas of high dust or chemical fume concentration (solvent etc.)
-



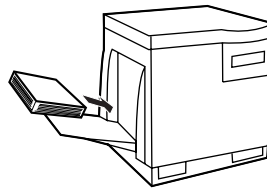
- Unstable or unlevel surfaces
-



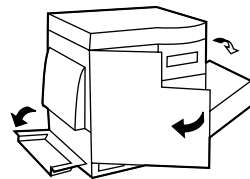
- Directly in front of air conditioning vents
-



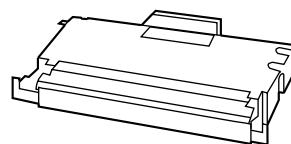
- Liquids near the equipment
-



- Too much media/document which exceeds the limit mark on the guide of the tray.
-



- Front/right/left doors opened while the printer is operating; it may cause a media jam.
-



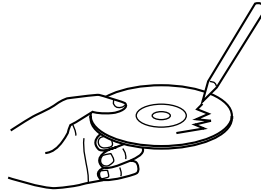
Not genuine toner

- Any toner other than genuine Panasonic toner. It may damage the printer.
-

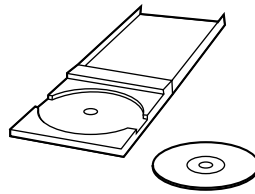
Before You Start

CD-ROM

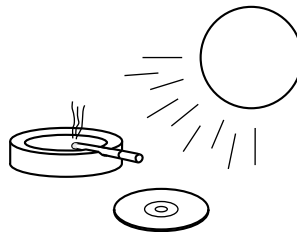
To prevent accidental damage to the CD-ROMs:



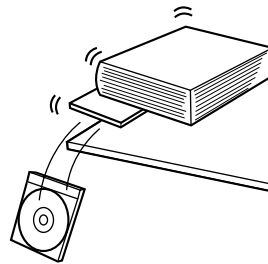
- Do not touch or write on the surface of the disc.
-



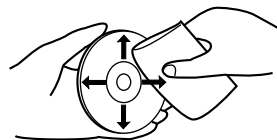
- Do not leave the disc out of the protective case.
-



- Do not leave the disc in direct sunlight or near heat sources.
-



- Do not place heavy objects on the disc case or drop the case.
-



- To clean the disc, hold the disc by its edges and wipe it from the center to the edges with a dry, soft cloth.
-

Static electricity damage

To prevent static electricity damage to any of the following components, touch a grounded metal surface, such as the printer's bare metal frame prior to touching the component.

- The interface connectors—parallel and optional network
- Electrical components, connectors inside the printer, any components on the optional board (hard disk drive, SDRAM DIMMs, Ethernet network card, or Token Ring network card)
- The connector pins on the optional 2nd cassette feeder for the printer

Waste disposal method

Waste material may be dumped or incinerated under conditions which meet all federal, state and local environmental regulations.

Features of the KX-P8420

The KX-P8420 Color Printer provides fast, high-quality color printing on plain paper, plus the ease of operation and high performance you expect from a laser printer, including the following.

High quality

- Resolution—maximum 1200 x 1200 dpi (with optional additional memory)

High speed

- Continuous printing on Letter or A4 size paper
 - Full-color mode—Maximum 3.5 ppm (pages per minute)
 - Three color mode—Maximum 4.7 ppm
 - Monochrome mode—Maximum 14 ppm

Easy operation

- Printer driver—easily prints full-color documents

Networking and client capabilities

- Supports AppleTalk (EtherTalk), TCP/IP, and IPX (Novell) protocols simultaneously by installing optional Ethernet Card
- Supports thicknet, twisted pair, and thinnet (via transceiver) cabling
- Ethernet or Token Ring support by installing optional Ethernet or Token Ring Card
- SMB (Microsoft®)
- IEEE 1284 compliant, Mini-Centronics type-C parallel connection based on the IEEE P1284-C standard

NOTE:

- An ECP compatible parallel port is recommended for Windows® 95*¹. To turn on the ECP mode, use the computer's BIOS setup. Refer to the computer's documentation for details.

*¹ Microsoft® Windows® 95 operating system (hereafter Windows 95)

Color capabilities

ColorWise™ CRDs (color rendering dictionaries) take full advantage of the colors available on your printer. PostScript 3 RGB files are converted to the printer's CMYK color space during processing—optimizing them for rendering and printing. CRDs available with the PostScript driver include:

- Photographic
- Presentation
- Transparency

Using the PostScript driver an image's RGB data can be also converted to the color space and gamut of the KX-P8420 printer using RGB source profiles. Profiles available include:

- EFIRGB
- sRGB (PC)
- Apple Standard

In addition, CMYK simulation settings can be used to simulate popular offset printing press standards. Simulation settings include:

- SWOP
- Euroscale
- DIC

Color management

ColorWise VisualCal™ allows experienced users to calibrate the KX-P8420 for excellent color output—eliminating out-of-calibration color most printers experience over time.

ColorWise Color Adjustment provides controls for globally modifying toner density and brightness.

ColorWise Business Color specifies the application of toner using a diffusion dither pattern, which is ideal for color fills and blends commonly found in charts and graphs used in business applications.

Before You Start

Fiery WebTools

Fiery WebTools are utilities that enable users to manage the KX-P8420 from the Internet or your company's intranet:

- Fiery WebDownloader
- Status
- Fiery WebSetup
- Fiery WebLink
- Fiery WebSpooler

For additional information on KX-P8420 specifications, see "Specifications" on [page 205](#).

The icons in this document indicate:



: Features and functionality which require an optional hard disk drive.
See "Installing a hard disk drive" on [page 196](#).



: Features and functionality which require a minimum of 32 MB of SDRAM.
See "Installing additional memory" on [page 199](#).



: Features and functionality available to printers operating in a networked environment.
See "Installing network cards" on [page 202](#).

System requirements

You can use the printer in a networked environment and print from a PC compatible computer running Windows or from a Macintosh computer.

With a Windows computer

The minimum hardware configuration required to use the printer with an IBM PC or compatible includes:

- An IBM PC or compatible computer with a 386 processor or higher
- A mouse that is supported by Windows
- Windows 3.1^{*1}, Windows 95 or Windows NT® 4.0^{*2*3} (Intel version)
- Appropriate interface cables for your network or printer connection
- Screen resolution more than or equal to 800 x 600 dpi to use Fiery WebTools
- Screen color more than 256 color to use Fiery WebTools

With a Macintosh computer

The minimum hardware configuration required to use the printer with a Macintosh computer is:

- Any Macintosh computer in the Macintosh II, Quadra, Centris, Performa, or Power Macintosh families with EtherTalk Phase 2 installed
- Apple system software version 7.5.x, 7.6.x or 8.0
- Appropriate interface cables for your network and printer connection.
- Ethernet Card ([page 202](#))

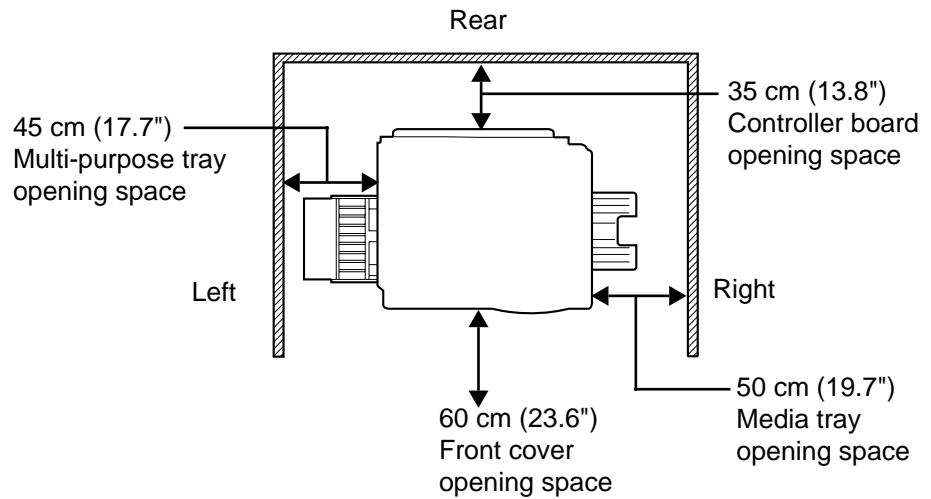
It does not enable to connect KX-P8420 to Macintosh computer directly. The data is printed through the Ethernet Card installed in the KX-P8420.

^{*1} Microsoft® Windows® operating system Version 3.1 (hereafter Windows 3.1)

^{*2} Microsoft® Windows NT® Workstation operating system, and Microsoft® Windows NT® Server network operating system Version 4.0 (hereafter Windows NT 4.0)

^{*3} Service Pack 3 or later version is required.

Minimum space requirements



Power source

- The voltage level of the power source must not vary more than $\pm 10\%$ from the voltage level marked on the nameplate (located on the back of the unit).
- Do not use an extension cord.
- Do not use a line conditioner, transient suppressor or surge protector as it may cause a machine error.

Unpacking

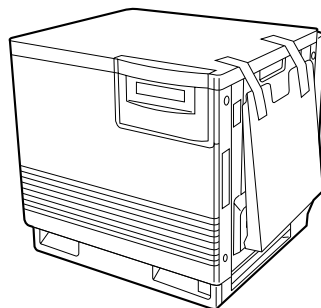
Make sure that all of the items shown below were provided and have not been damaged. Report damage or shortages to the reseller from which the unit was purchased. [Page 2](#) includes an area for recording important information such as the name of reseller, serial number, and date of purchase.

NOTE:

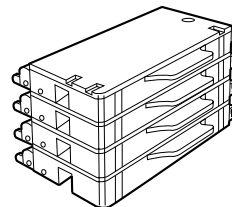
- Save the original carton and packing materials for future shipping and transporting of the unit. They have been specifically designed to protect the equipment during shipment.

1. Printer (Color imaging unit, Fuser unit and Media tray are included.)
2. Toner cartridges (black, cyan, magenta, and yellow)
3. Power cord
4. KX-P8420 Driver & Utility CD-ROM
5. KX-P8420 Operating Manuals CD-ROM (includes [Drivers and Utilities Reference Guide](#) and [Operating Instructions](#))
6. Color Calibration Card
7. Setup Manual

1



2



3



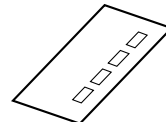
4



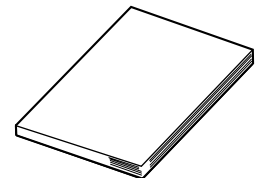
5



6

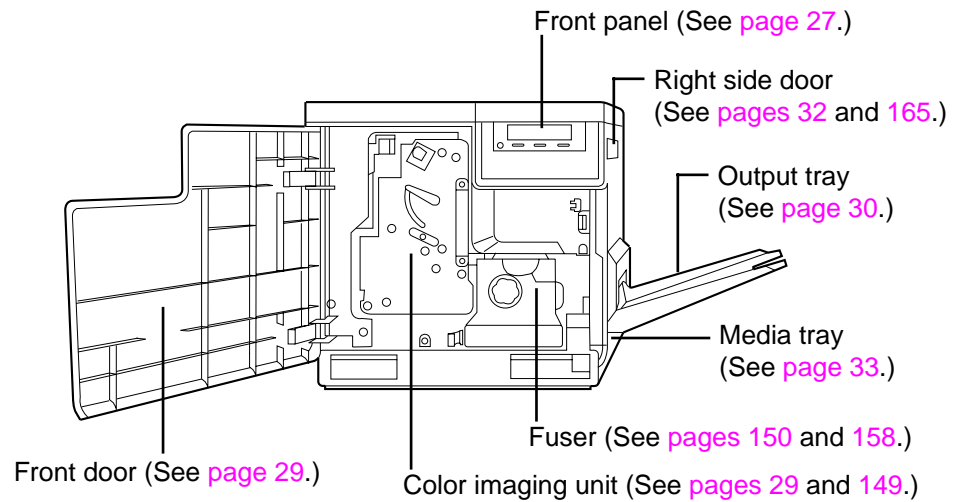


7

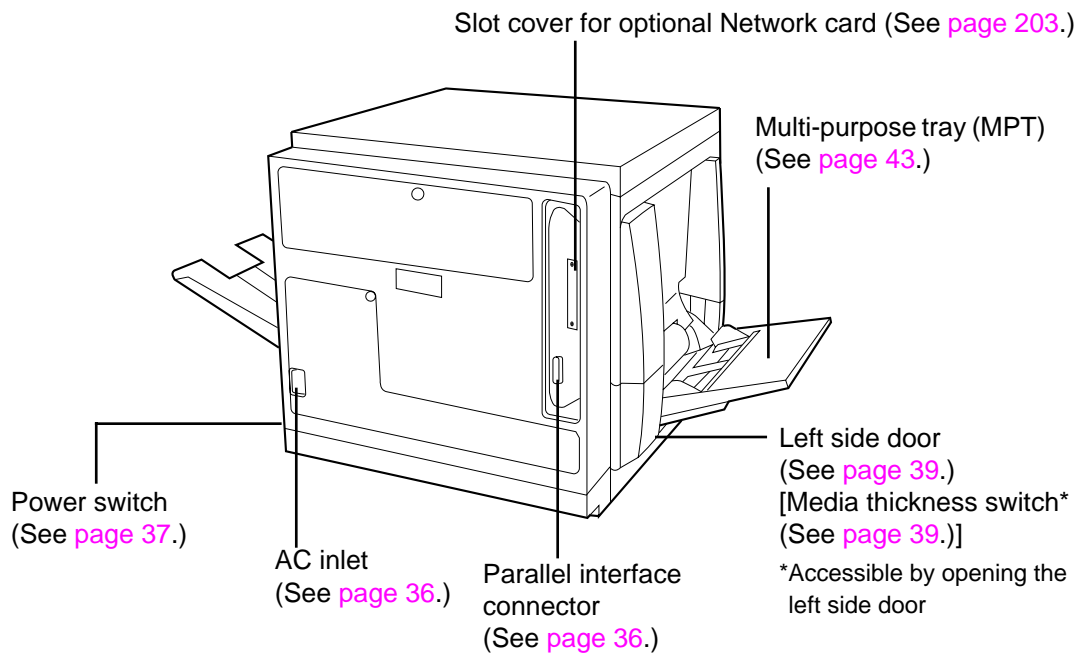


Part names

Front side view



Rear side view

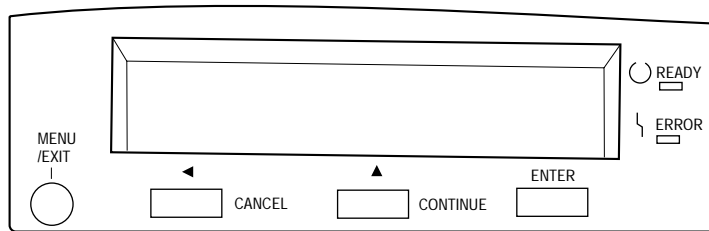


Front panel overview

LCD (Liquid Crystal Display) panel


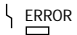
This section describes the functions of the front panel, illustrated below:

The printer LCD has two 24-character lines to display the printer's status/error messages or menu settings.



Activity lights





The activity lights indicate the status of the printer. They have the following meanings:

This light	Indicates
	Ready indicator —Lit when the printer is on-line (ready to accept and process new jobs), blinking when in menu mode and when receiving, processing or printing data, and off when the printer is off-line or the power is off.
	Error indicator —Blinking when the printer requires operator intervention (e.g., load paper); or lit when the printer requires a service call.

Before You Start

Buttons

The front panel's buttons have the following meanings:

This button	Indicates
	Menu/Exit button —From Ready (or Sleep), enters Menu mode. From Menu mode, exits menus entirely, returning to Ready.
	Cancel/Left button —While printing, Cancel stops printing or processing the current job. In Menu mode, returns to the previous menu item. When entering numbers, decrements to the next number or moves the cursor to the left.
	Continue/Forward button —Advances to the next selection in menu mode. When entering numbers, increments to the next number. When using the Semi Automatic Duplexing function in the printer driver, after odd pages are printed, even pages are printed by pressing this key.
	Enter button —Accepts an option and advances to the next choice in menu mode.

Chapter 2 **Printer Setup**

This chapter describes setting up the KX-P8420 Color Printer, connecting it to a PC compatible computer, and powering on the printer. It also includes print area specifications, guidelines for using the multi-purpose tray (MPT), and instructions on using the front panel.

Setting up the printer

The general steps for setting up the printer are:

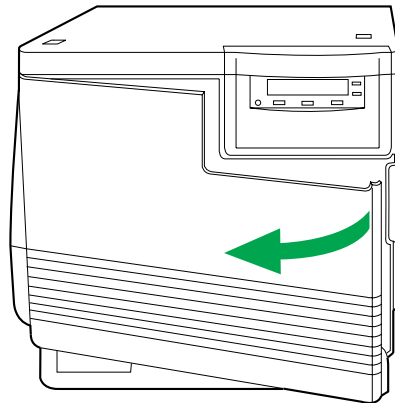
- “Preparing the color imaging unit” on [page 29](#)
- “Setting up the output tray” on [page 30](#)
- “Installing the toner cartridges” on [page 31](#)
- “Loading media” on [page 33](#)

Preparing the color imaging unit

After you have unpacked the printer and located it on a flat, stable surface, you need to set it up.

To prepare the color imaging unit:

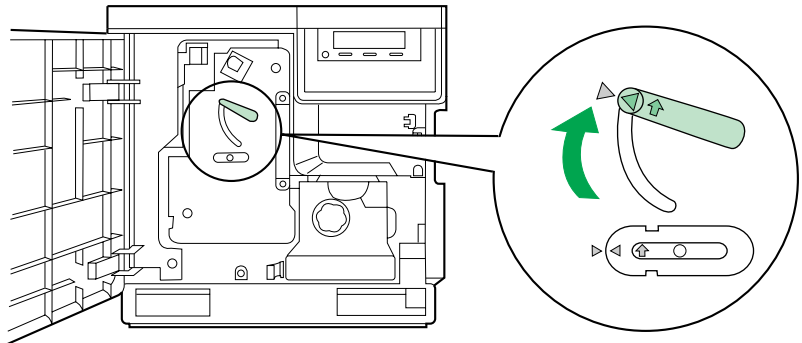
- 1** Open the front door.



Printer Setup

- 2** Turn the upper green lever clockwise until it stops and the arrows are aligned.

This tightens the internal belts to ready the unit for printing.



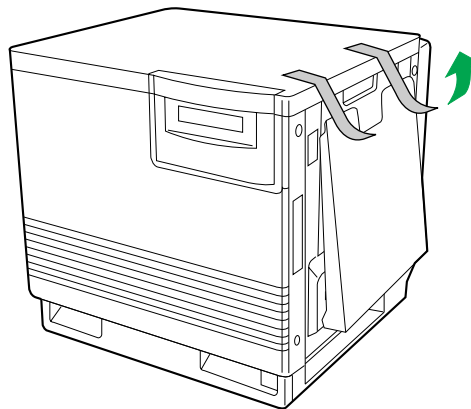
- 3** Close the front door.

Setting up the output tray

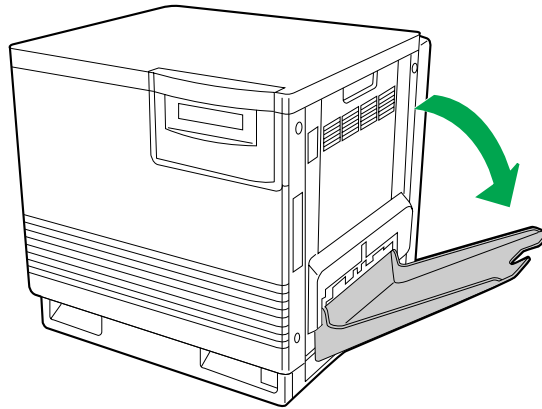
Make sure that you have enough room for the output tray and that it is easy to access.

To set up the output tray:

- 1** Remove the adhesive tape that holds the output tray against the printer.



- 2 Lower the tray to the operating position.



Installing the toner cartridges

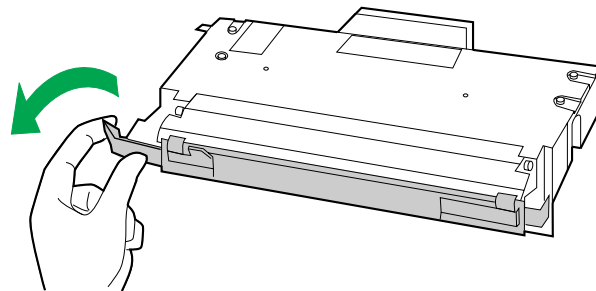
The toner cartridges that are shipped with the printer are starter cartridges. They are installed in exactly the same manner as the optional cartridges; the only difference is that the starter cartridges have less toner. The page life expectancy is 3,000 pages, based on a 5% image area.

NOTE:

- Save all packing material for shipping purposes.

To install the starter cartridges:

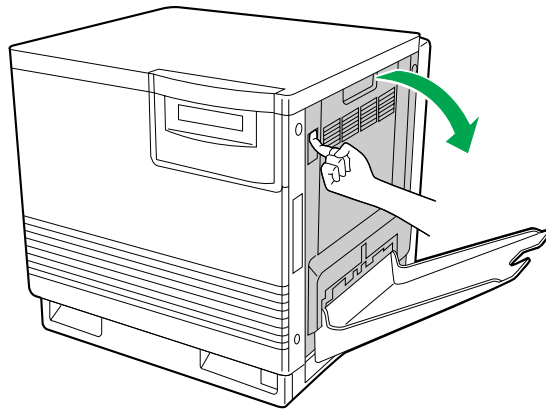
- 1 Remove the packaging from the toner cartridge.
- 2 Remove the shipping cover from the cartridge.



CAUTION:

- To avoid possible toner spillage, do not tilt cartridge.

- 3** Open the right side door.

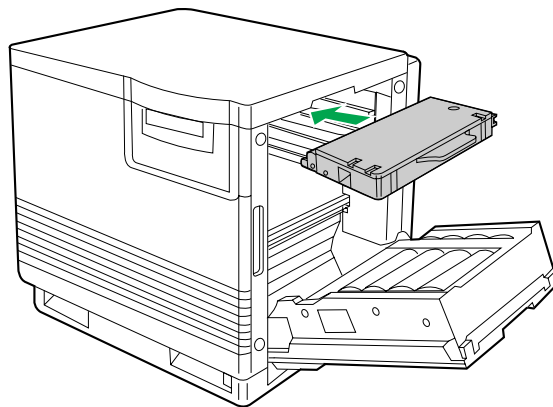


CAUTION:

- Do not leave the right side door open for more than 1 minute; the color imaging unit will be exposed to light and could be damaged.

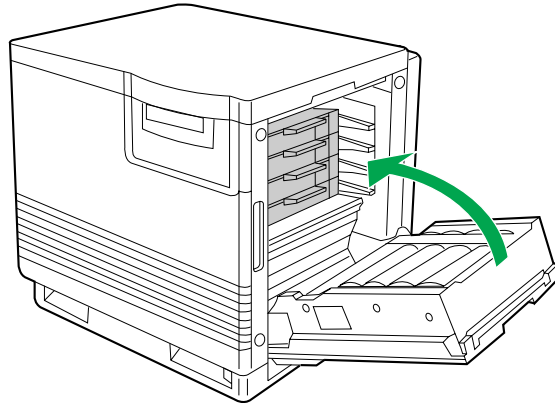
- 4** Insert the toner cartridge in the appropriately labeled slot.

From top to bottom, the order of the color toner cartridges is black, cyan, magenta, and yellow.



- 5** Repeat steps 1, 2, and 4 for each toner cartridge.

- 6** When you have installed all the toner cartridges, close the right side door.



Loading media

The printer is shipped with one media tray (either Letter Paper or A4 Paper) installed, however the printer supports five different trays as shown in the following table.

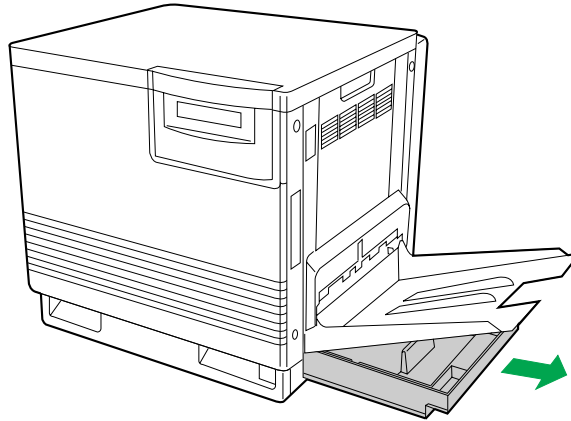
Tray	Size
A4 Paper	210 mm x 297 mm (8.3" x 11.7")
A4 Transparency	210 mm x 297 mm (8.3" x 11.7")
Letter Paper	216 mm x 279 mm (8.5" x 11")
Letter Transparency	216 mm x 279 mm (8.5" x 11")
Legal Paper	216 mm x 356 mm (8.5" x 14")

NOTES:

- Make sure that you load the correct media. Each tray is designed and labeled for **only** paper or transparency. If you load the incorrect media type in a tray, it may cause a jam.
- If you have the 2nd cassette feeder installed and you wish to use the automatic cassette-switching feature (for a large print job, for example), make sure that all trays in the printer are the **same** media type and size.
- The transparency tray should only be inserted in the upper or middle tray slots.

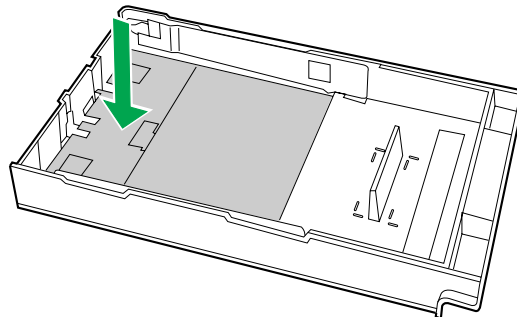
To load paper or transparencies:

- 1** Pull the media tray out of the printer.

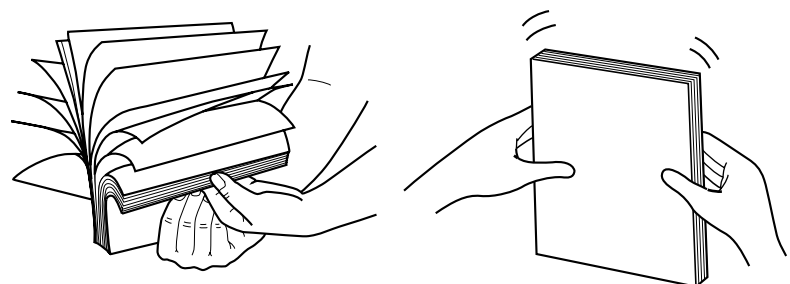


- 2** Remove all packaging materials from inside the media tray; refer to the instruction sheet attached to the tray.

- 3** Push down on the metal plate until it clicks, locking it in place.



- 4** Fan the media (paper or transparencies), and then tap it on a level surface to avoid media jams or skewed printing.

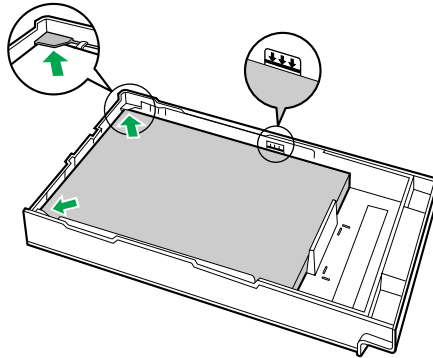


NOTES:

- To optimize your printer's performance, always use clean, unused media.
- Be careful not to leave fingerprints on the media, which can result in a smudged print.
- Reusing media that has been fed through the printer once (for example, after jams) can reduce the life of the consumables and paper path components.
- **The recommended transparency is 3M CG3700.** If the print quality is poor, try printing on the other side.

5 Place the media in the tray under the hooks.

The height of media should not exceed the limit mark on the tray, or it may cause a jam.



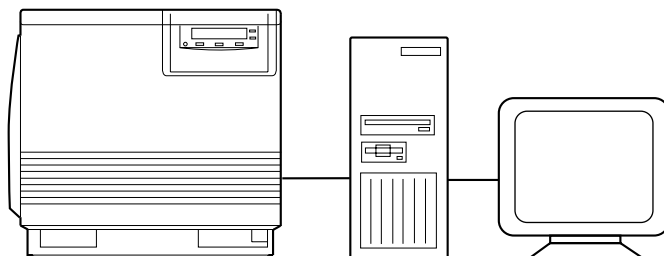
NOTES:

- Load media with the print side down. Most media has instructions recommending the side to be printed first.
- Do not mix different types or thicknesses of media in the media tray at one time; this may cause a jam.

6 Slide the media tray completely into the slot.

Connecting the printer to a computer

Only one PC compatible computer can be directly connected to your printer.



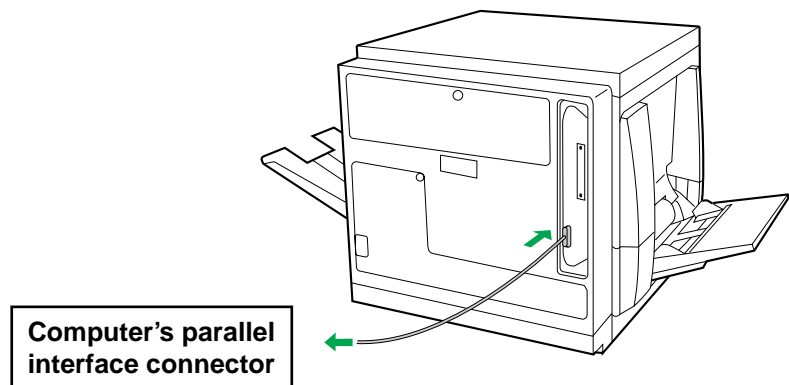
Printer Setup

Using a parallel interface cable

If you do not have a parallel interface cable, you will need to purchase one from your local computer store or dealer. See “Bidirectional Parallel Interface” on [page 213](#).

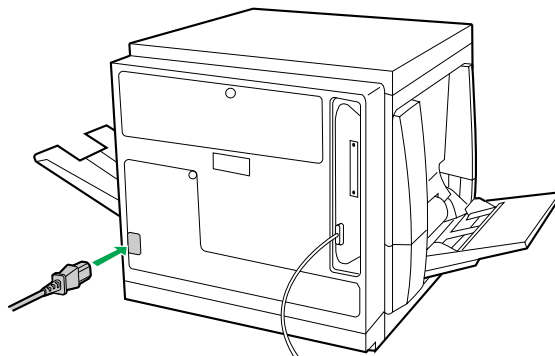
To connect a parallel interface cable:

- 1** Make sure the computer, printer and the other connected peripheral devices are turned off.
- 2** Connect the parallel interface cable to the computer's parallel interface connector and the printer's parallel interface connector.



NOTES:

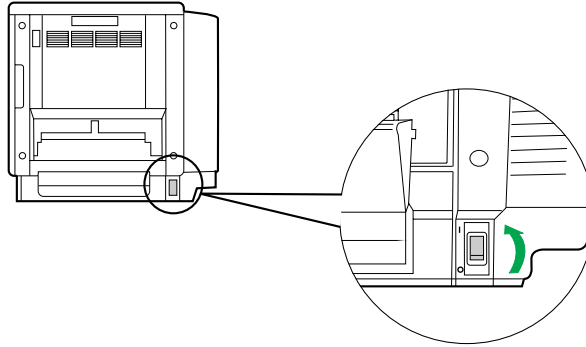
- The actual connector on the computer may differ depending on the manufacturer of the computer.
 - If the cable is connected to the PC via a printer buffer or selector, the printer may not print.
- 3** Connect the power cord to the printer's AC inlet and to an AC outlet.



Power on

To power on the printer:

Turn ON the printer, and then the computer.



The Ready indicator on the printer starts flashing and Initializing is displayed on the printer's front panel. After approximately 5 minutes, the printer's Ready indicator is lit and Ready is displayed on the printer's front panel. The printer is ready for printing.

NOTE:

- When you power on your system for the first time, if New Hardware Found is displayed on the computer screen, close the dialog box, and install the printing software using the procedure described in "Installing the PostScript printer driver for Windows 95" on [page 78](#).

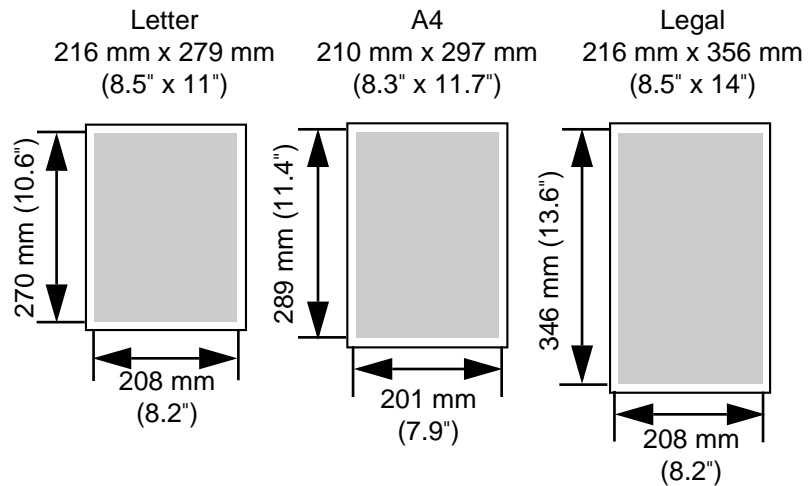
Printer Setup

Margins and print area

When the image is printed on the media, the image (print area) is a bit smaller than the media size. You may need to adjust the page margins in the application software to match the print area.

The following table and illustrations show the page sizes, the largest print areas, and the margins for the media sizes supported on this printer.

Media	Page Size	Print area	Margins		
			Top	Bottom	Sides
Letter	216 mm x 279 mm (8.5" x 11")	208 mm x 270 mm (8.2" x 10.6")	4.2 mm (0.17")	4.3 mm (0.17")	3.9 mm (0.15")
A4	210 mm x 297 mm (8.3" x 11.7")	201 mm x 289 mm (7.9" x 11.4")	3.4 mm (0.13")	3.9 mm (0.15")	4.3 mm (0.17")
Legal	216 mm x 356 mm (8.5" x 14")	208 mm x 346 mm (8.2" x 13.6")	3.2 mm (0.13")	6.0 mm (0.24")	3.9 mm (0.15")



Loading media in the multi-purpose tray

The multi-purpose tray (MPT) serves as an additional tray for loading any type of media that ranges in size from 91 mm x 254 mm to 216 mm x 356 mm (3.6" x 10" to 8.5" x 14"). Use it to load a single sheet or a stack of media, depending on the media's type and thickness.

Use the multi-purpose tray to accomplish the following:

Print on standard and special media

- Standard media
 - Laser paper [75 to 165 g/m² (20 to 44 lbs.)]
- Special media
 - Labels
 - Envelope (#10 size) [Black Text only]
 - Transparency (The print quality may not be stable. Use the media tray for best reliability.)

Two-sided printing (double-sided) on laser paper

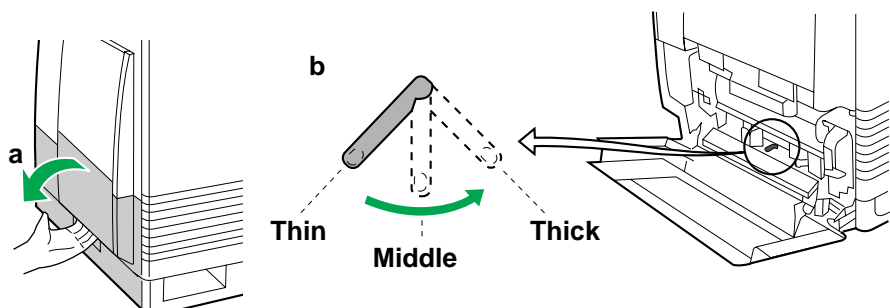
You should not expect the same print quality and reliability that you get with one-sided printing. For details, see "Two-sided printing" on [page 208](#).

Setting media thickness switch:

Because the printer accommodates various media weights from the multi-purpose tray, media thickness can be manually selected for the most reliable paper-picking. Follow these steps:

- 1**
 - a) Open the left side door.
 - b) Move the switch to the desired setting.

The green media thickness switch is located on the paper feeder and has three settings:



Switch setting	Media
Thin (Default)	Laser paper 75 to 90 g/m ² (20 to 24 lbs.)
Middle	Laser paper 91 to 123 g/m ² (25 to 32 lbs.) Transparency, Label
Thick	Laser paper 124 to 165 g/m ² (33 to 44 lbs.) Envelope

2 Close the left side door.

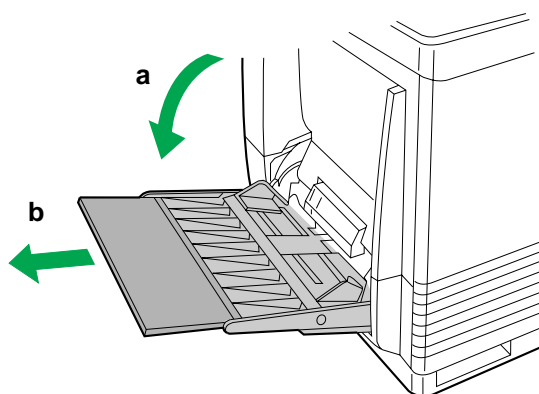
Loading Paper, Transparency:

NOTE:

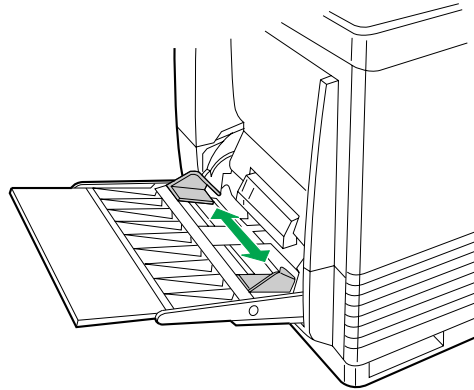
- Reusing media that has been fed through the printer (for example, after jams) can reduce the life of the consumables and paper path components.

For detailed information on media, see “Media” on [page 206](#).

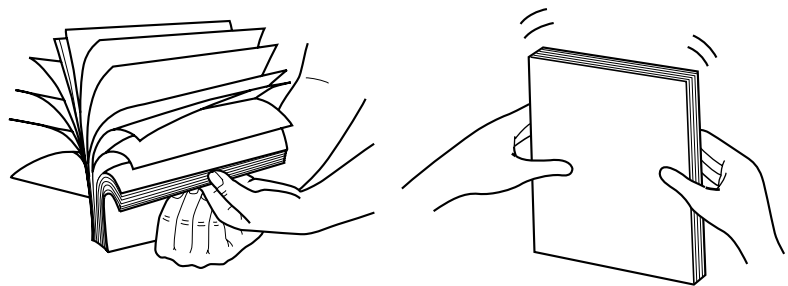
- 1** Set the media thickness switch ([page 39](#)).
- 2**
 - a) Open the multi-purpose tray.
 - b) Extend the media support by sliding it outward.



- 3** Separate the media guides to the approximate width of the media.



- 4** Fan the media, and then tap it on a level surface to avoid media jams or skewed printing.

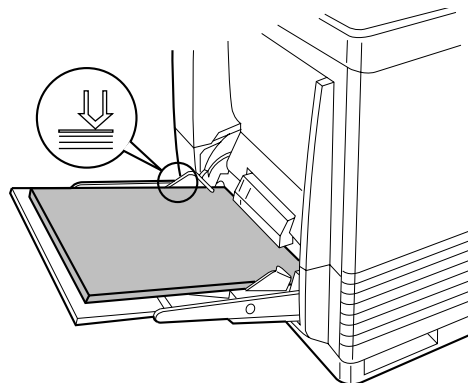


NOTE:

- **The recommended transparency is 3M CG3700.** If the print quality is poor, try printing on the other side.

- 5** Insert the media with the printing side up into the multi-purpose tray.

The height of media should not exceed the limit mark on the left guide, or it may cause a media jam.

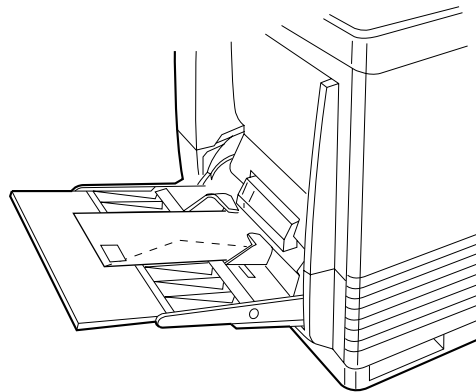


- 6** Adjust the media guides to the media size.
- 7** Use the printer driver to select the multi-purpose tray.

To load an envelope in the multi-purpose tray:

Do not insert more than one envelope at a time. Only black text can be printed on envelopes. For more detailed information, see “Envelopes” on [page 210](#).

- 1** Set the media thickness switch ([page 39](#)).
- 2** Adjust the media guides to the width of the envelope.
- 3** Insert the envelope with the short end entering the printer first and the printing side facing up.
The edge where the stamp will be located enters the printer last.



- 4** From your computer, use the printer driver to choose Envelope from the Paper Size menu and Paper Source menu.

To load labels in the multi-purpose tray:

For detailed information on labels, see “Transparencies and labels” on [page 209](#).

- 1** Set the media thickness switch ([page 39](#)).
- 2** Adjust the media guides to the width of the label sheets.
- 3** Insert label sheets in the multi-purpose tray with the printing side up and insert the top of the sheets first.
The height of labels should not exceed the limit mark on the guide.
- 4** Choose **MPT Label** as the paper source in the **Paper** tab of the printer driver.

NOTE:

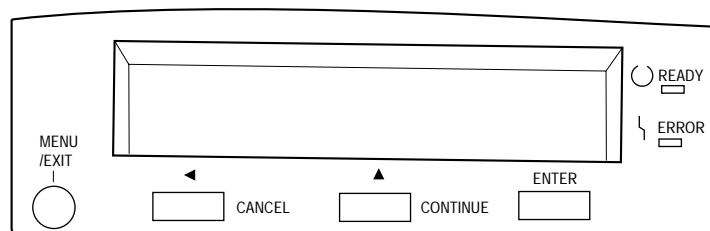
- Avoid printing labels if the temperature is too high; doing so may damage consumables.

Using the front panel

The printer's front panel enables you to set options and view the status of the printer and print jobs. This section provides information about:

- Status messages and error messages
- Top-level menus you can access from the front panel
- Printing printer information pages from the front panel

This section describes the functions of the front panel, illustrated below:



The 2 line, 24 character LCD window on the front panel displays status messages. When the printer is printing normally, status information about the current jobs appear in the display window.

For a detailed explanation of the activity lights and buttons on the front panel, see “Front panel overview” on [page 27](#).

Status messages

When the printer is printing normally, status information about current jobs appears in the display window. The messages are:

- Ready—Displays while the printer is ready to print but not processing or printing a job.
- Printing—Displays while a job is printing.
- Processing—Displays while the job is processing.
- Canceling Job—Appears when you cancel a print job.
- Ready(Sleep)—Appears when the printer is in an power saver mode. This mode can reduce the total power consumption of the printer to less than 35 watts. Full power mode is restored when the printer receives a job or when you press the Menu/Exit button or print a page at the printer.

Before the printer can print after being in Ready(Sleep), it needs to warm up to heat up the fuser. The actual warm-up time depends on how long the printer has been in power saver mode. If the printer has been in Ready(Sleep) power saver mode for a long time, the warm-up period will be longer.

Error messages

If there is a printing problem, the Error indicator will be on, and an error will appear in the display window. For information about error messages, see “Front panel status and error messages” on [page 177](#).

Top-level menus

The table below describes the printer’s top-level menus. To access the menus, press the Menu/Exit button. To scroll through the menus, press the Continue/Forward or Cancel/Left button on the front panel.

Some of these menus (Parallel Port Setup, Network Port Setup, and Network Protocol Setup) are used to configure the printer’s initial Setup, which must be completed before users can send jobs to the printer. For information on performing the initial Setup from the front panel, see [page 106](#).

Choose	To specify	See also
Test Page	Printing one of three sample pages, stored in the printer’s ROM: Font List, Test Print, and Configuration page.	Page 47
Check And Print*	Printing additional copies of a Check and Print job after the initial Check and Print copy has been printed. Specify the number of additional copies of the job to print using the Check and Print screens from the printer’s front panel.	For Macintosh, see Chapter 2 of <i>Drivers and Utilities Reference Guide</i> . For Windows, see Chapter 1 of Drivers and Utilities Reference Guide .
Bias Adjustment	Toner density	See Chapter 7 , “Color Calibration”.
Visual Calibration	Color calibration of the printer	See Chapter 7 , “Color Calibration”.
Color Adjustment	Toner density and brightness	See Chapter 7 , “Color Calibration”.
Maintenance	Display the remaining percentage of each of the consumables.	Page 152
Image Area	The amount of the last printed page covered by toner, for all toner colors. The average amount of the printed page covered by toner, for all toner colors since a toner cartridge replacement.	Page 153

* This menu is available only on printers with a hard disk drive.

Printer Setup

Choose	To specify	See also
ENERGY STAR	Enable entering ENERGY STAR mode which can reduce the total power consumption of the printer to less than 35 watts.	Page 107
Parallel Port Setup	Enable printing through the parallel port, set parallel port timeout, specify data mode.	Page 107
Network Port Setup	Specify Ethernet or Token Ring settings for network connections to the printer.	Page 107
Network Protocol Setup	Specify settings for network protocols, including TCP/IP, AppleTalk, and IXP/SPX.	Page 109
Language	Specify the language of the LCD text, and the language used in the Test, Configuration, and Calibration pages.	Page 111
Reset Queues*	Clear all jobs from queues and clear the Job Log.	Page 111
Hard Disk*	Initialize hard disk drive. .	Page 111

* These menus are available only on printers with a hard disk drive.

NOTE:



- Network Port Setup and Network Protocol Setup appear only for networked printers.

Printing pages from the front panel

There are several pages that you can print from the front panel. This section provides instructions for printing a Test Print, a Configuration Page, and PostScript Font List.

The Test Print includes a color sample as well as the printer's name, enabled network protocols, memory configurations, and installed options.

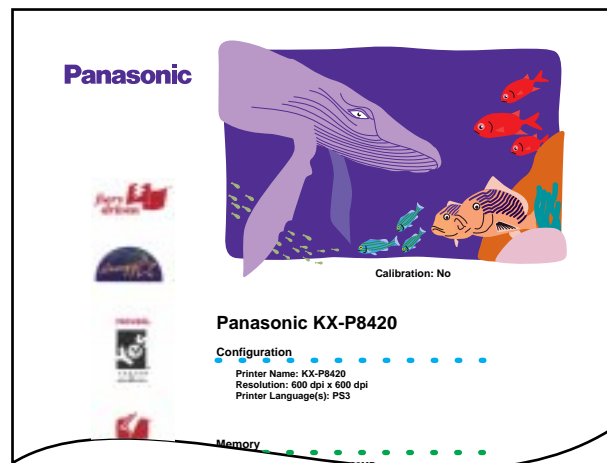
The Configuration Page lists information about the printer, the current Setup configuration, and the number of printer fonts. It's a good idea to print a Configuration Page before you make Setup changes, in case you need to restore some settings later.

The PostScript Font List print out the list of available printer fonts.

You can print a Test Print before you set up the KX-P8420—or at any other time from the Ready or the Ready(Sleep) screen.

To print a Test Print:

- 1** Turn on the printer and allow it to warm up.
Messages appear on the front panel as the KX-P8420 printer runs through its power-up tests.
- 2** From the **Ready** screen, press the **Menu/Exit** button on the printer's front panel.
- 3** Press the **Enter** button.
- 4** Press the **Continue/Forward** button until you see **Test Print** and then press the **Enter** button.
Examine the quality of the Test Print.



Test Print

Chapter 3 *Connecting the Printer to a Network*

This chapter describes how to connect your printer to a network by installing the network card (option). You can connect the printer to your network with thicknet, twisted pair, or thinnet. You can also connect your printer directly to a PC compatible through the parallel port.

This chapter provides information about:

- “Ethernet network connections” on [page 49](#)
- “Token Ring network connections” on [page 51](#)
- “Parallel cable connection” on [page 52](#)
- “Setting up TCP/IP clients for printing” on [page 59](#)

TCP/IP stands for Transmission Control Protocol/Internet Protocol.

- “Setting up IPX (Novell) printing” on [page 61](#)
IPX stands for Internet Packet Exchange.
- “Setting up Windows 95 clients for SMB printing” on [page 73](#)
- “Setting up Windows NT 4.0 clients for SMB printing” on [page 76](#)
SMB stands for Server Message Block.

After you have connected the printer to the network, follow the setup instructions in “[Chapter 6 Setup from the Front Panel and WebSetup](#)”.

Network connections



This section describes the types of network connections supported by the KX-P8420. Optional network cards are available from your Panasonic dealer. For more information on upgrade options, see “[Chapter 9 Options](#)”.

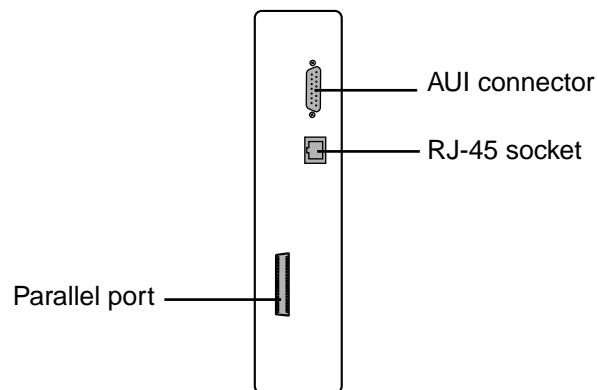
Ethernet network connections

- Thinnet (thin coaxial cable or 10Base2)
Uses an external transceiver (media access unit, or MAU) to attach to the AUI (attachment unit interface) connector on the printer.
- Thicknet (thick coaxial cable or 10Base5)
Cable connects directly to the AUI connector on the printer.
- Twisted pair (Category 5 unshielded twisted pair cable or 100BaseTX)
Uses 8-pin RJ-45 connector that plugs into the RJ-45 socket on the printer.

NOTE:

- Category 3, unshielded twisted pair cable is supported on 10BaseT networks.

Connecting the Printer to a Network



NOTE:

- Shut off the printer before connecting it to any network device. Only one Ethernet connection should be made to the printer at a time.

To connect a thinnet cable to the printer:

- 1** With the printer turned off, connect the MAU transceiver to the AUI connector on the back of the printer. Secure the connection using the slide latch on the AUI connector.
- 2** Connect the thinnet cable to the BNC connector on the transceiver.
- 3** Turn on the printer and then the computer.

To connect a thicknet cable to the printer:

- 1** With the printer turned off, connect the thicknet cable connector to the AUI connector on the back of the printer.
- 2** Turn on the printer and then the computer.

Connecting the Printer to a Network

To connect a twisted pair cable to the printer:

- 1** With the printer turned off, connect the RJ-45 cable to the RJ-45 socket on the back of the printer.
- 2** Turn on the printer and then the computer.

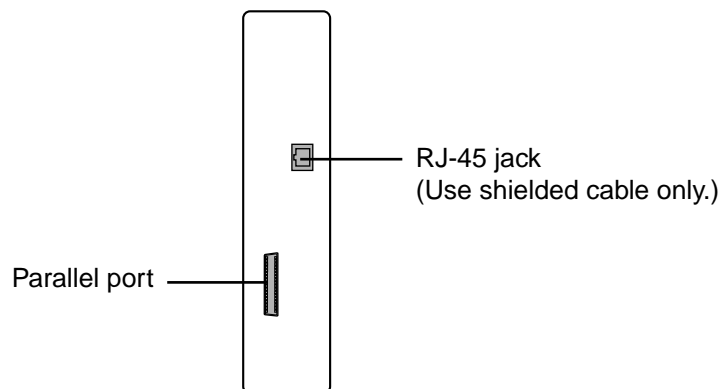
For Ethernet speed setting, see “Network Port Setup” on [page 107](#).

Token Ring network connections



The printer supports the shielded twisted pair cable (Category 5 shielded twisted pair cable) that plugs into the RJ-45 jack on the back of the printer.

- To prevent possible interference and assure continued FCC compliance, do not remove the cover from the D-sub connector and always use **shielded** twisted pair wire with RJ-45 jack. Any unauthorized changes or modifications to this device could void the FCC class A compliance of this device.



To connect the cable to RJ-45 jack on the printer:

With the printer turned off, connect the cable from the Token Ring MAU (Media Attachment Unit) to RJ-45 jack on the back of the printer.

NOTE:

- A Media Attachment Unit (MAU) is a network hub for a Token Ring Network.

For Token Ring settings, see “Network Port Setup” on [page 107](#).

Parallel cable connection

In addition to receiving print jobs over the network, the printer can accept print jobs directly from an IBM compatible computer through its high-speed, Centronics compatible parallel port. This connection is also advantageous for workstations on dedicated networks using protocols other than AppleTalk, TCP/IP, or IPX.

The parallel port connection can be used simultaneously with a network connection.

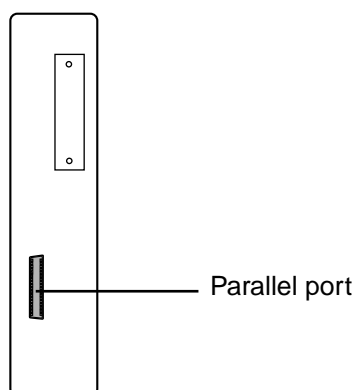
CAUTION:

- Always use a shielded interface cable. Use of an unshielded cable can result in radio interference with data.

NOTE:

- Printing through a serial port (Local Talk) is not supported on Macintosh computers.

To connect a parallel cable to the printer:



- 1** With the printer and the computer turned off, attach the Centronics Type C parallel cable (not included) to the parallel port.
- 2** Connect the other end of the cable to the parallel port on the computer.
- 3** Turn on the printer and turn on the computer.

For parallel port settings, see "Parallel Port Setup" on [page 107](#).

Setting up TCP/IP printing



TCP/IP provides network services for high-speed local and wide area networks and heterogeneous environments including PC compatibles, Macintosh computers, minicomputers, and mainframes running diverse operating systems. The printer supports the lpr protocol for printing over TCP/IP networks. Network users submit print jobs to a named printer. Workstations on a TCP/IP network can print directly to the printer, or can print to a Windows NT 4.0 server or UNIX workstation acting as a print server.

Before you install the printer on a TCP/IP network, you need to obtain a unique IP address. Contact your network administrator for this information.

Setting up the printing environment

To set up printing on a TCP/IP network, the network administrator must follow these steps:

To set up IP Address/Subnet mask on the KX-P8420:

- 1** From the **Ready** screen, press the **Menu/Exit** button on the front panel to access the printer setup menus.
- 2** Press the **Continue/Forward** button until you see **Network Protocol Setup** on the LCD. Press the **Enter** button to access the **TCP/IP Setup** menus.
In the next step you will enable TCP/IP network communication according to your network type.
- 3** Press **Enter** to advance to the **Enable TCP/IP?** screen. Press **Enter** and press **Continue/Forward** to select **Yes**, and then press **Enter** again to advance to the **Ethernet IP Address** screen. Press **Enter**.
- 4** Use the **Continue/Forward** button to select a number in a valid, unique IP Address for the KX-P8420. Press **Cancel/Left** button to accept a number and move to the left—to the next number.

NOTE:

- On the KX-P8420 printer, numbers are entered from right to left. Press the **Continue/Forward** button to scroll through numbers from 0 to 9. Press the **Cancel/Left** button to accept a number and move to the next.

Connecting the Printer to a Network

- 5** When you have finished entering all numbers in the address, press **Enter** to advance to the **Subnet Mask** screen.
- 6** Use the **Continue/Forward** button to select a number as the Subnet Mask value for the KX-P8420. Press **Cancel/Left** button to accept a number and move to the left—to the next number.
- 7** Specify the Gateway Address in the printer's Setup menus, if needed.
See "Network Protocol Setup" on [page 109](#) for details.
- 8** When you have finished entering all numbers, press **Menu/Exit** button.
After being rebooted, the printer will return to Ready mode.

■ Setting up NIS server

If the site is using NIS (Network Information Services), a superuser must add the printer name and IP address to the system's database of network printers.

- 1** Add the KX-P8420 to the network's IP host table.
This step must be performed on the master NIS (server) machine. After adding the printer entry, the updated database must be released to network users.
- 2** For the printer name, specify the print server protocol, the print connection (queue), and the spool file.
- 3** Activate the printer connection.
Depending on your system, you may restart the printer daemon or tell the printer to accept print requests.

■ Print Queues

Print spooling is the process of sending a print jobs to a defined location on a hard disk, in this case the Print or Hold queues. Printers without a hard disk drive can only receive print jobs over the Direct connection. Jobs sent to the Direct connection are transferred from the computer to the printer's SDRAM.

NOTE:



- If the printer has a hard disk drive and 32 MB of memory installed, Direct, Print, and Hold print connections are automatically available. If the printer does not have a hard disk drive, only the Direct connection is available.

UNIX server print queues



The lpr protocol is a printer spooling system. It is a set of programs that accepts printing requests from many users on a network, routes them to the proper print server (in this case, the KX-P8420), and accepts requests to display a queue's status or to remove jobs from a queue.

The lpr system is included in the standard installation of Berkeley-based UNIX systems, SunOS 4, and Solaris.

Use the examples that follow as a guide in helping you set up your network for printing to the printer.

NOTE:

- In these examples, KX-P8420 is used as the printer name (the IP host name), and KX-P8420q is used to indicate the KX-P8420 Print queue.

Since the printer supports only one TCP/IP (lpr) connection at a time, you can use the same name for the hostname and the queue name. However, the examples indicate where you should make a distinction if you want to use different names.

To add the printer as a network printer to all UNIX systems:

- 1** Log in to your UNIX host as the root user.
- 2** Edit your `/etc/hosts` file to include the printer as a network device.

The following is a sample entry for the printer:

```
192.9.228.1<TAB>KX-P8420<TAB>#comments
```

where <TAB> indicates that you press the tab key.

The IP address is followed by the official host name, and these are followed by aliases, if any. Type the entry exactly as shown, without a space before the IP address.

NOTE:

- For sites that use DNS (Domain Name System) or that use NIS or NIS+, consult the documentation or the network administrator for instructions on publishing the printer entry.

- 3** Save and exit the hosts file.
- 4** Confirm the connection using the **ping** command.
See "Verifying the TCP/IP network connection" on [page 58](#).

Connecting the Printer to a Network

5 If your UNIX system uses SunOS 4 or another BSD-based variant, go to the next section.

If your system uses Solaris 2, follow the steps on [page 57](#).

To set up printing on a UNIX system running SunOS 4 or another BSD based variant:

1 On each workstation that will print to the printer, log in to your UNIX host as the root user.

2 Create an entry for the printer in your `/etc/printcap` file. The following is a sample printcap entry for the printer. Note that the remote host name you enter in the `rm` line must exactly match the name you entered in the `/etc/hosts` file.

```
KX-P8420q:\
:lp=:\
:rm=KX-P8420:\
:rp=xjprint:\
:lf=/var/spool/lpd/KX-P8420q/log:\
:sd=/var/spool/lpd/KX-P8420q:\
:mx#0:sf:sb
```

The spool directory `KX-P8420q` is specified here, and the directory itself is created in [step 3](#). Similarly, the log file is specified here and created in [step 4](#). The spool directory is write-protected (from everyone but a daemon user and daemon group); users cannot modify or remove files other than their own.

It is possible to set up to two additional printer entries, one with the `rp` name `xjprint` and one with the name `xjhold`. The `rp` name indicates the `KX-P8420` queue to which jobs are sent when you print to the named printer.

A printer entry with the `rp` name `xjhold` routes all jobs to the `KX-P8420 Hold` queue. Therefore, to print those jobs, they must be moved to the Print queue or deleted using Fiery WebSpooler.

NOTE:

- Printers without a hard disk drive and 32 MB of memory can not use Print or Hold queues (`rp` name: `xjprint` and `xjhold`), they can only receive print jobs over the Direct connection. Use the `rp` name `xjdirect` if your `KX-P8420` has no hard disk, or is configured with less than 32 MB of memory.

3 Create a spool directory for the printer in the `/var/spool` directory.

For example, enter the following:

```
mkdir -p /var/spool/lpd/KX-P8420q
chown daemon /var/spool/lpd/KX-P8420q
```

4 Create the log files.

For example, enter the following:

```
cp /dev/null /var/spool/lpd/KX-P8420q/log
```

5 Reboot the machine.

To set up printing on a UNIX system running Solaris 2:

1 On each workstation that will print to the printer, log into the UNIX system as the root user.

2 At the UNIX prompt, type **`lpsystem -t bsd KX-P8420`**

This tells your system that the printer is a print server of `bsd` (Berkeley Software Distribution) type.

3 Type **`lpadmin -p KX-P8420q -s KX-P8420!\xjdirect`**

This command creates an internal queue on the workstation and points it to the printer. The general format of this command is:

```
lpadmin -p <queue name> -s <hostname>\!xjdirect
```

NOTE:

- The name `xjdirect` after the exclamation point is for configuring the printer; it is an internal name that the printer requests. It must be `xjdirect`; it is not a user-selectable name. This is the only place where it is entered.

As with SunOS 4 or other BSD based systems, when printing to printers with a hard disk and a minimum of 32 MB of memory it is possible to configure up to two additional printer entries, one with the `rp` name `xjprint` and one with the `rp` name `xjhold` (see [page 56](#)).

4 Type **`accept KX-P8420q`**

This command tells the printer to accept print requests from your workstation. You are now ready to print from the workstation to the printer.

5 Type **`enable KX-P8420q`**

Connecting the Printer to a Network

Verifying the TCP/IP network connection

Before a device on a TCP/IP network can send print jobs to the printer, the printer must be given a valid IP address and subnet mask, as well as a gateway address, if applicable. The printer is given these addresses in the printer's Network Protocol Setup. The IP address is used on all TCP/IP networks and must always be assigned before the printer can be verified across the network.

Because TCP/IP networks require some UNIX setup by the network administrator, you may not be able to send a test page from the driver across the network to the printer immediately after installation. The following procedure enables you to verify that there is a proper connection between the printer and the network without using the printer driver to print a test page. Before you begin this procedure, verify that the printer is functioning by printing a page from the printer's ROM.

For step by step instructions, see "Printing pages from the front panel" on [page 47](#).

Once the printer's TCP/IP setup is complete, you can verify the availability of the printer using the ping command from the DOS prompt with Windows 95, from the Command prompt with Windows NT 4.0 or from UNIX.

To verify the TCP/IP connection:

To see if the printer responds to its address, use the **ping** command.

Use the format:

```
ping <IP address>
```

Use the printer IP address assigned in Network Protocol Setup. After the printer has been given a hostname by your network administrator, you can also ping the name you gave it:

```
ping <hostname>
```

The server should respond with a message such as:

```
<IP address> is alive.
```

Some systems will respond with a continuous display of output from the IP address. To stop the output, type Control-C

Setting up TCP/IP clients for printing



If the printer is being added to an existing network, each TCP/IP client is already running TCP/IP client software.

The KX-P8420 supports TCP/IP client software on UNIX workstations, PC compatibles, and Macintosh computers. With Macintosh computers however, it is easiest to use the built-in AppleTalk protocol to communicate directly with the printer.

If the client workstation is a PC running Windows, set up the printer as a Windows PostScript printer by installing the PostScript printer driver, as described in [Chapter 4](#). For setting up your networking software, see the documentation for your networking environment.

Setting up TCP/IP clients for running Fiery WebTools



Fiery WebTools software comes pre-installed on the KX-P8420. Fiery WebTools include: WebSpooler, Status, WebDownloader, WebSetup and WebLink.

When TCP/IP is enabled for the printer in Network Protocol Setup, Fiery WebTools are immediately available to clients that:

- Are connected to a TCP/IP network with a consistent set of IP addresses, one for the printer and one for each computer connect to the printer.
- Have an Internet connection and a Java enabled Web browser.

The recommended browsers are:

- Netscape Navigator 3.04 for Macintosh computers,
- Microsoft Internet Explorer 4.0.1 SP1 or Netscape Communicator 4.0.4 for Windows computers.

NOTE:

- Microsoft Internet Explorer 3.x does not support the WebDownloader.

Netscape and Microsoft continue to release frequent updates to their browsers. As support cannot be guaranteed for all versions, use the versions specified above for best results.

To access Fiery WebTools, enter the IP address or DNS name of the KX-P8420 as a URL in the Internet browser. For more information, see [page 70](#).

Connecting the Printer to a Network

Printing and administering print jobs

Once the printer has been properly installed on the TCP/IP network, users should be able to send print jobs to the KX-P8420 from most applications. UNIX clients also commonly use UNIX printing commands to print PostScript files and text files to the printer.

For information on printing PostScript files and text files using UNIX commands, see Chapter 3 of [Drivers and Utilities Reference Guide](#).

If you have superuser privileges you can remove any lpd jobs from the printer queue; removing your own jobs doesn't require special privileges.

To remove jobs from the printer queue:

On a UNIX system running SunOS 4 or other BSD-based variant, use the **lprm** command to remove jobs from the queue.

To remove job number 123 from the print queue of your KX-P8420 named printer, you would type:

```
lprm -P<printername> <job #...>
```

or, for example: `lprm -PKX-P8420 123`

The `lprm` command reports the names of any files it removes.

To determine the job number, use the `lpq` command described below.

```
lpq -p<printername>
```

On a UNIX system running Solaris 2, use the **cancel** command to remove jobs from the queue.

Type:

```
cancel <job ID>
```

For example, to remove a job whose ID is printer-123 from the print queue of your KX-P8420, type:

```
cancel printer-123
```

To find out a print job's job ID, use the `lpstat` command described below:

On a UNIX system running Solaris 2, use the **lpstat** command to see printer jobs in the queue.

```
lpstat -o <queuename>
```

For example, if your printer queue is named KX-P8420q, type:

```
lpstat -o KX-P8420q
```

The returned list of jobs includes each job ID.

Once `lpr` print jobs are spooled to the printer's hard disk, you can use WebSpooler to monitor print jobs.

Setting up IPX (Novell) printing



IPX, Novell's Internetwork Packet Exchange protocol, runs on networks that include a Novell NetWare server. The server, typically a dedicated PC, is usually configured to control workstation access to shared resources. In addition to other services, NetWare servers use IPX protocols to provide spooling, queue management, and print services to computers (including Macintosh, DOS, UNIX, and VAX) whose operating software is compatible with IPX protocols.

This section describes network setup for an IPX (Novell) network.

Overview of IPX printing to the KX-P8420

NetWare file servers support the creation of print queues, storage areas for print jobs. When a user on a network workstation prints a job, the job is sent to a print queue on the NetWare server. The job is spooled to the NetWare file server disk, freeing up the workstation.

The queues on the NetWare server must be named to match the Direct connection and Print queue on the KX-P8420. The NetWare queue names should be given an extension corresponding to the KX-P8420 printing connection, as follows:

```
_print  
_hold  
_direct
```

NOTE:

- The NetWare queues names must be given the above all lowercase English extension (`_print`, `_hold` or `_direct`), even if any language's NetWare server is used.

When the KX-P8420 is configured to connect to a NetWare server, it polls the NetWare server for jobs in each of its queues. If jobs are found, they are transferred over the network to the matching connection: Print to Print, Direct to Direct. While a job is processed and printed, a record of the job is being created. You can access the Job Log containing these records at any time.

When the printer is connected to a NetWare print queue that is defined on the NetWare server, the printer polls the queue for jobs and receives them over the network for immediate processing and printing. All printer jobs are sent from the printer queue on the NetWare server to the KX-P8420.

NOTE:

- It is not recommended to connect KX-P8420 directly to NetWare server via LPT port. It may cause unexpected print result.

Connecting the Printer to a Network

To set up network printing, enable IPX/SPX Setup from the printer's front panel (see "Network Protocol Setup" on [page 109](#)), and set up the PServer using WebSetup after configuring the NetWare server (see "PServer Setup tab" on [page 120](#)).

Configuring the NetWare server

This section explains how to set up the NetWare server so that networked users can print to the printer from their workstations. There are two stages to this setup:

- The network administrator must set up a print queue on the NetWare server so users can print to it, and the printer can receive print jobs from it.
- Optionally, the administrator can set up the server for network installation of PostScript printer drivers on client workstations.

Before configuring a NetWare file server for printing to the KX-P8420, make sure that it is connected to a functioning IPX network. Then, log in as the supervisor on a PC connected to the NetWare file server, and configure the file server as described in the following sections.

Before you begin, you'll need to determine the following names:

- The name of the NetWare file server on which you will define the printer as a new print server.
- The name of the NetWare print server. This name is used for communication between the printer and the NetWare file server.
- The name to assign to the KX-P8420 Direct, Print or Hold queue. If you are defining a Hold queue, the last five characters must be `_hold`. You need to set up at least one print queue on the NetWare server for jobs that will be printed by the printer. Users will see and print to the name you assign to the Print queue.

Names should be as brief and descriptive as possible. Server names cannot begin with a period and cannot include spaces or punctuation characters other than periods.

- To complete network setup, you will need to log in to the NetWare file server and the new print server from the printer. You will need a login name and, if access to the server is restricted, a login password.

■ Setting the NetWare 4.x bindery context

Novell 4.x servers use a different environment setup than Novell 3.1x servers. (If your server is using NetWare 3.x, proceed to “Setting up a KX-P8420 print queue” on [page 66](#).) The native structure for Novell 4.x objects is known as Novell Directory Services (NDS). To provide backward compatibility with Novell 3.1x services, Novell 4.x servers use Bindery Emulation to “act” like a Novell 3.1x server.

To set up the NetWare 4.x server for printing to the printer, you must do the following:

- Determine the NDS path to the container in which the print server and the print queue for the printer will be created.

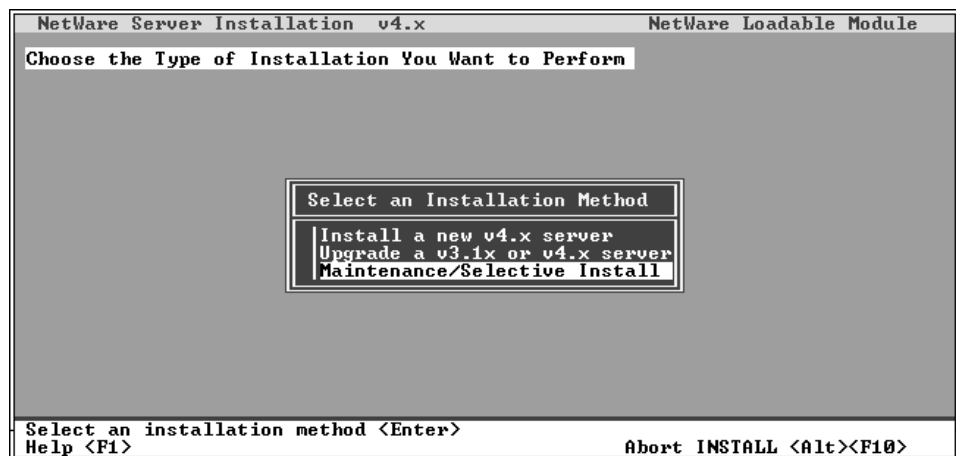
The container defines the bindery context for your network structure. Network devices that are not NetWare 4.x-aware need a bindery context to work with NetWare 4.x.

- Edit the network startup file to set the bindery context.
- Activate the new bindery context.

This section describes the second and third steps. Given the variety of possible network structures, we can't suggest a bindery context that applies to every network.

To set the bindery context:

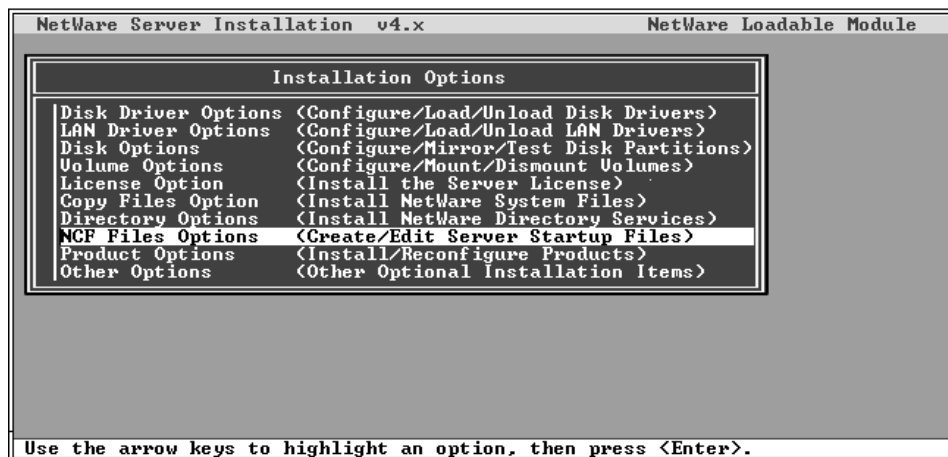
- 1** At the NetWare drive prompt, change directories to the System directory, and type **rconsole**
- 2** Establish a connection with the server that will have the printer queue.
- 3** At the NetWare prompt type **load install**
The NetWare Server Installation window is displayed.



Connecting the Printer to a Network

- 4 Use the down arrow key to select **Maintenance/Selective Install**.

The Installation Options menu is displayed.



- 5 Select **NCF Files Options**.

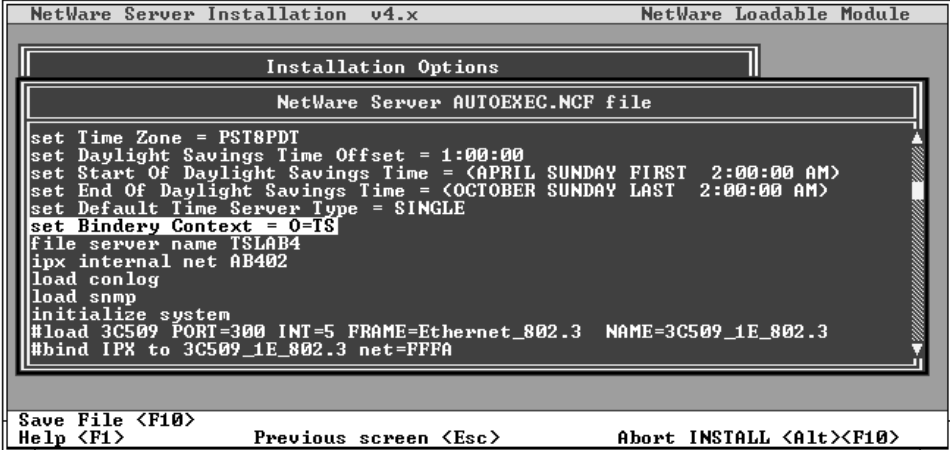
- 6 In the menu of available NCF files, select **EDIT AUTOEXEC.NCF file**.



- 7 Type a new line anywhere in the file as follows:
set Bindery Context = (Enter your bindery context here)

NOTE:

- To the right of the equals sign, type the bindery context obtained from the system administrator.



```
NetWare Server Installation v4.x                               NetWare Loadable Module
-----
Installation Options
-----
NetWare Server AUTOEXEC.NCF file
-----
set Time Zone = PST8PDT
set Daylight Savings Time Offset = 1:00:00
set Start Of Daylight Savings Time = <APRIL SUNDAY FIRST  2:00:00 AM>
set End Of Daylight Savings Time = <OCTOBER SUNDAY LAST  2:00:00 AM>
set Default Time Server Type = SINGLE
set Bindery Context = 0=IS
file server name TSLAB4
ipx internal net AB402
load conlog
load snmp
initialize system
#load 3C509 PORT=300 INT=5 FRAME=Ethernet_802.3  NAME=3C509_1E_802.3
#bind IPX to 3C509_1E_802.3 net=FFFA
-----
Save File <F10>
Help <F1>          Previous screen <Esc>          Abort INSTALL <Alt><F10>
```

- 8 Press **Esc** to close the window, and save changes.
- 9 Proceed to the next section.

To activate the bindery context:

- 1 If you cannot reboot the NetWare server at this point, type the **set** command manually at the server's command prompt.
Use the same command that you entered in the autoexec.ncf file (see [step 7](#) in the previous procedure).
- 2 If you can reboot the NetWare server, the **set** command is loaded automatically.
You are ready to set up the KX-P8420 print server and print queue. See the next section for details.

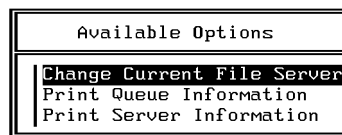
Connecting the Printer to a Network

Setting up a KX-P8420 print queue

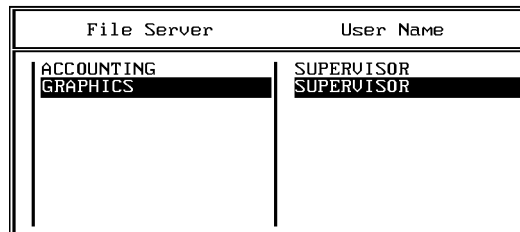
The NetWare print server and print queue are created and configured from NetWare Print Console, a NetWare utility that is stored in NetWare's PUBLIC directory.

To set up the NetWare server for printing to the KX-P8420:

- 1 Log in to the NetWare server as the Supervisor.
- 2 At the NetWare MS-DOS prompt, type **pconsole**
The Available Options menu is displayed.



- 3 Select **Change Current File Server** and press the **Enter** key.
- 4 Using the arrow keys, select the file server name and press the **Enter** key.



You must select this file server later as the NetWare File Server in WebSetup>Network Setup.

- 5 Select **Print Server Information** from the **Available Options** menu.

- 6** Press the **Insert** key, type a name for the new print server, and press the **Enter** key. Then press the **Esc** key.

The screenshot shows a 'Print Servers' dialog box with a list containing 'PARALLEL'. To the right, there is a menu with options: 'available Options', 'ge Current File Server', and 't Queue Information'. A separate dialog box titled 'New Print Server Name' is open, showing the text 'Color_Printer'.

You must select this print server later as the NetWare Print Server in WebSetup>Network Setup.

- 7** Select **Print Queue Information** from the **Available Options** menu.

- 8** Press the **Insert** key and type a name for a new print queue. Press the **Enter** key.

The screenshot shows a 'Print Queues' dialog box with a list containing 'PARALLELQ'. To the right, there is a menu with options: 'available Options', 'ge Current File Server', and 't Queue Information'. A separate dialog box titled 'New Print Queue Name' is open, showing the text 'Color_Printer_print'.

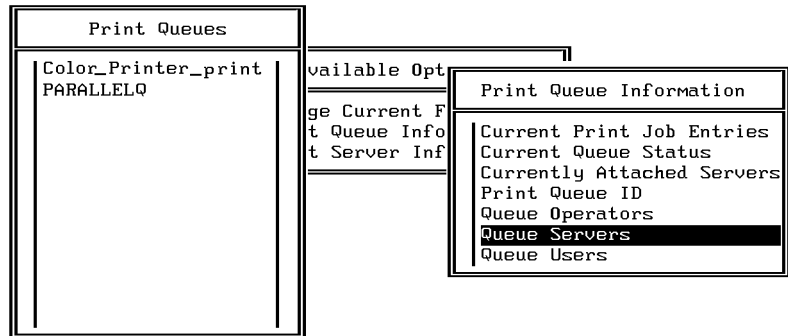
The print queue name you entered will be highlighted in the Print Queues list.

If the print server manages more than one print queue, you'll have to select this name later in WebSetup>Network Setup.

Connecting the Printer to a Network

- 9** Make sure the print queue name you created is selected in the **Print Queues** menu, and press the **Enter** key.

The Print Queue Information menu is displayed.

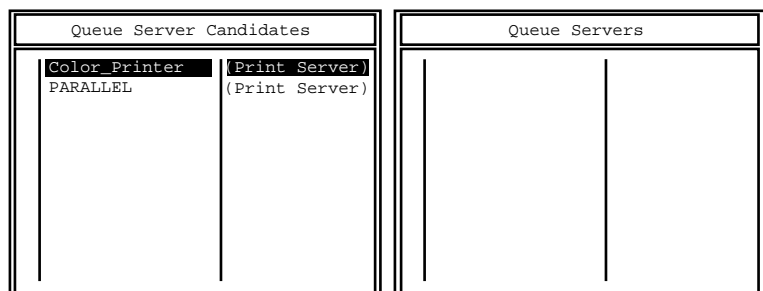


- 10** In the **Print Queue Information** menu, select **Queue Servers**, and press the **Enter** key.

A blank Queue Servers list is displayed.

- 11** Press the **Insert** key.

The Queue Server Candidates list is displayed.



- 12** Use the arrow keys to select the name of the print server you created in [step 6](#) and press the **Enter** key.

The server name you select will appear in the Queue Servers list.

You have associated the selected printer queue with the print server you created in [step 6](#).

- 13** Press the **Esc** key to exit all **PCONSOLE** windows.

- 14** Select **Yes** or press the **Enter** key to save changes to **PCONSOLE**.

After finishing the above procedure, connect the specified queue server to the printer. Please see "PServer Setup tab" on [page 120](#).

Setting up NetWare Windows clients

Before setting up client workstations, make sure you perform Network Setup on the printer, and that the settings reflect the entities you created in PCONSOLE.

Client setup has two parts:

- Install the PS printer driver on each Windows workstation.
- Configure the printer driver to print to a print queue on a Novell file server.

For instructions on installing the appropriate printer driver for your system see “[Chapter 4](#) Installing Software for Windows”.

For instructions on configuring the printer driver to print to a Novell file server print queue, see [page 80](#) for Windows 95, or [page 92](#) for Windows 3.1.

Using AppleTalk with Macintosh computers on an IPX (Novell) network

Macintosh users on an IPX network can print to the printer in two ways:

- Directly, using AppleTalk and bypassing the NetWare server
- Through a NetWare server running NetWare for Macintosh

Since the printer supports both AppleTalk and IPX protocols at the same time, it's not necessary to use the second option. However, a network administrator may choose to route all print jobs through a server.

NOTES:

- The printer can be attached to only one NetWare server at a time.
- Printing via the AppleTalk port of Windows NT 4.0 is not recommended as it may cause additional, unnecessary pages to be printed.

■ **Printing directly to the printer**

Due to the layered design of networks, data can be transmitted using more than one network protocol. When Macintosh computers are connected to an IPX network, they can continue to transmit data over Ethernet cable using AppleTalk protocols. If the printer is on the same network, Macintosh computers can see and print to the printer, provided that AppleTalk is enabled on the Macintosh and in Network Protocol Setup.

Setting up Fiery WebTools



Fiery WebTools allow you to manage your KX-P8420 remotely from the Internet or from your company's intranet. The KX-P8420 has its own home page, from which you are able to select from a variety of functions including Status, Fiery WebSpooler, WebLink, Fiery WebDownloader, and Fiery WebSetup.

IMPORTANT:

- Before you can send jobs to the printer, you must use Fiery WebSetup to complete the process of configuring Setup options, as described starting on [page 112](#). Therefore, you must complete the procedures described in this section and in "Completing setup from Fiery WebSetup" on [page 112](#) before you can send jobs to the printer.

For information on using Fiery WebTools (other than Fiery WebSetup), see [Drivers and Utilities Reference Guide](#).

In order for network users to access and use Fiery WebTools, you need to set network communication options in Network Protocol Setup on the front panel. See "Setting up the printing environment" on [page 53](#). You also need to prepare each user's workstation to communicate with the KX-P8420 using Fiery WebTools over the Internet or intranet. Once the initial Setup has been performed from the printer's front panel, you must complete the Setup configuration from Fiery WebSetup.

In order for client workstations to access Fiery WebTools, they must use a Web browser. The recommended browser versions are:

- Netscape Navigator 3.04 for Macintosh computers,
- Microsoft Internet Explorer 4.0.1 SP1 or Netscape Communicator 4.0.4 for Windows computers.

NOTES:

- Microsoft Internet Explorer 3.x does not support the Fiery WebDownloader.
- Netscape and Microsoft continue to release frequent updates to their browsers. As support cannot be guaranteed for all versions, use the versions specified above for best results.
- Accessing to WebSetup via Netscape Navigator 3.04 for Macintosh Computers is slow and not recommended.
- It is not recommended to open WebTools at several locations simultaneously because it might adversely affect network printing.
- WebDownloader is not supported for Macintosh Computers.

- If Java Applet is not set to Enable, you can not access the Fiery WebTools. Follow the next steps:

Netscape 4.x

1. Select Preferences in the Edit menu.
The Preferences window appears.
2. Select Advanced in the Category.
3. Click the boxes next to Enable Java and Enable JavaScript.
4. Click OK.

Netscape 3.x

1. Select Network Preferences in the Options menu.
The Preferences window appears.
2. Click the Languages tab.
3. Click the boxes next to Enable Java, and Enable JavaScript.
4. Click OK.

Internet Explorer 4.x

1. Select Internet Options in the View menu.
2. Click the Security tab.
3. Click the circle next to Custom (for expert users) in the Local Intranet zone.
4. Click Settings button.
The Security Settings window appears.
5. Click Custom in Java permissions, and click Java Custom Settings button.
The Local intranet zone window appears.
6. Click the Edit Permissions tab, and click Enable in Run Unsigned Content.
7. Click OK three times.

Connecting the Printer to a Network

Instructions below apply to computers using Ethernet protocols.

To use Fiery WebTools on each client workstation:

- 1** Enable TCP/IP on the KX-P8420.
- 2** Make sure the workstation has a valid, unique IP address.
- 3** Make sure the workstation is installed with an Internet browser.
- 4** Launch the Internet browser.
- 5** Enter the IP address or DNS name of the printer in the browser's URL line.

The printer's home page appears. For more information on using Fiery WebTools, see [page 112](#) and "Chapter 4 Managing Print Jobs" in [Drivers and Utilities Reference Guide](#).

Setting up Windows 95 clients for SMB printing

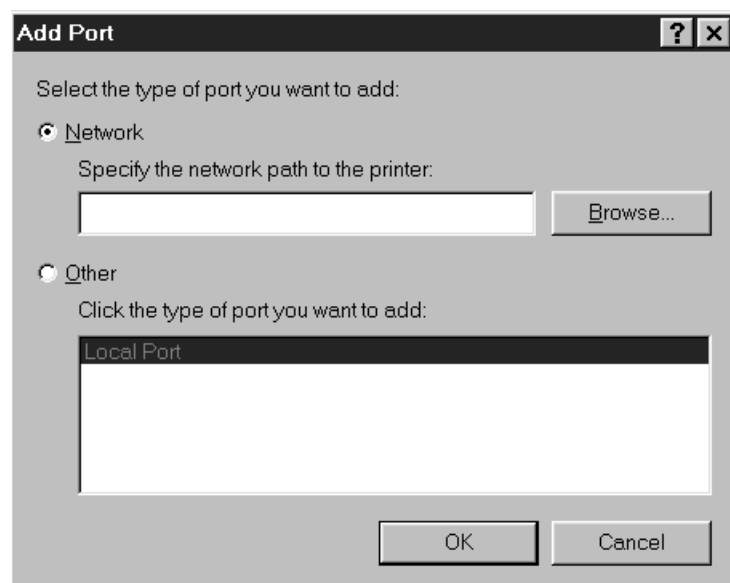
The following instructions describe printing to a network port using the Details tab of the Printer Properties dialog. You must specify the option settings including Server Name in the Service Setup screen, before SMB printing is enabled. See “Service Setup tab” on [page 125](#).

NOTE:

- The Details tab of the Printer Properties dialog is not available when the dialog is accessed using File>Print from within applications. This tab appears only when the Printer Properties dialog is accessed via the Printers folder.

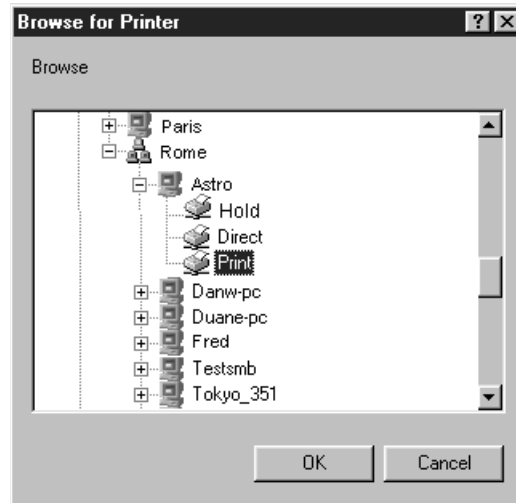
To set up SMB printing on Windows 95:

- 1** From the **Start** menu, choose **Settings**, and click **Printers**.
- 2** Select the **Panasonic KX-P8420** printer icon, and choose **Properties** from the **File** menu.
- 3** Click the **Details** tab in the **Properties** window and click **Add Port**.
- 4** In the **Add Port** dialog box, click **Network**, and click **Browse** to display your network environment.



Connecting the Printer to a Network

- 5 Expand the levels to locate your printer and the queue you want to print to.



If your printer has a hard disk drive and 32 MB of memory, three connections will automatically be created when the KX-P8420 printer driver is installed. These connections are represented on the network by the Direct, Print and Hold printer icons. If your printer does not have a hard disk drive and 32 MB of memory, only the Direct printer icon will be available.

If the Hold queue is specified, all jobs sent to the printer will be held on the printer's hard disk and will be visible in the WebSpooler window until they are printed or deleted.

The printer you are browsing for is the SMB Name Server. If you do not know the name of the SMB Name Server and SMB printing has been enabled on the printer, refer to the printer's Configuration page for this information.

For instructions on printing a Configuration page, see "Printing pages from the front panel" on [page 47](#).

NOTE:

- If the local network does not include a WINS server, your printer may not be visible in the Browse dialog box. In this case, you must type the correct path for the print connection in the "Specify the network path to the printer" box of the Add Port dialog box, for example: \\KX-P8420\direct.

- 6 Under the printer's name, select the queue you wish to print to and click **OK**.

- 7** In the **Add Port** dialog box, verify that the network path is correct and click **OK**.
- 8** To confirm the connection, click the **General** tab in the **Properties** dialog box.
- 9** Click **Print Test Page** and click **OK**.
If the test page prints successfully, you are ready to print from the computer.

Setting up Windows NT 4.0 clients for SMB printing

The following instructions describe printing to a network port using the Details tab of the Printer Properties dialog.

The Details tab of the Printer Properties dialog is not available when the dialog is accessed using File>Print from within applications. This tab appears only when the Printer Properties dialog is accessed via the Printers folder.

To set up SMB printing on Windows NT 4.0:

- 1** From the **Start** menu, choose **Settings**, and click **Printers**.
- 2** Select the **Panasonic KX-P8420** printer icon, and choose **Properties** from the **File** menu.
- 3** Click the **Ports** tab in the **Properties** window and click **Add Port**.
- 4** In the **Printer Ports** dialog box, select **Local Port**, and then click **New Port**.
The Port Name dialog box appears.
- 5** Enter the name of the printer port to print to, for example: \\KX-P8420\direct and then click **OK**.
- 6** To confirm the connection, click the **General** tab in the **Printer Properties** dialog box.
- 7** Click **Print Test Page** and click **OK**.
If the test page prints successfully, you are ready to print from the computer.

Chapter 4 *Installing Software for Windows*

This chapter describes installing software and setting up printing from a Windows-based computer running Windows 95, Windows 3.1, or Windows NT 4.0.

See the [Chapter 3](#) or instructions on how to connect the printer to a computer or to a network.

General steps

The general steps for installing the KX-P8420 user software from the CD are:

- Install the PostScript printer driver.
- Set up the printer driver to communicate with the KX-P8420 over the network or through the parallel port.

Instructions for installing the PostScript printer driver for Windows 95 are given below. Instructions for installing the PostScript printer driver for Windows 3.1 and Windows NT 4.0 systems are given later in this chapter.

If you are setting up a printer that will be shared by many users, and you would like to make the printer drivers available to others, you can exit the installer program and manually copy the printer drivers and files from the KX-P8420 Driver & Utility CD-ROM to the location of your choice. Use this method, for example, to copy printer drivers to a server on your network, or to a floppy disk.

NOTE:

- Windows 95 Plug and Play specifies the automatic detection of any new hardware installed on your computer. If your printer is connected to the computer via the parallel port and it is powered on when your computer is restarted, a dialog box indicating new hardware has been detected will appear, prompting you to install the manufacturer's software. Install the printer driver for your printer by selecting Other Location, and navigating to the PostScript printer driver directory on the KX-P8420 Driver & Utility CD-ROM. When you have installed the printer driver of your choice, be sure to specify optional devices installed on your printer to enable features related to their use.

Installing the PostScript printer driver for Windows

Installing the PostScript printer driver for Windows 95

To set up the KX-P8420 as a PostScript printer you must install the PostScript printer driver v4.2 for Windows 95. This file is included on the KX-P8420 Driver & Utility CD-ROM.

If autorun is enabled on your computer, when the KX-P8420 Driver & Utility CD-ROM is inserted in the CD-ROM drive the installer runs automatically, allowing you to specify which files to install on your computer.

NOTE:

- If autorun is not enabled, you can run the installer by double-clicking the CD-ROM drive icon in My Computer (Windows 95), or by double-clicking the Setup.exe file in the installer folder on the KX-P8420 Driver & Utility CD-ROM.

To install the PostScript printer driver:

- 1** Insert the **KX-P8420 Driver & Utility CD-ROM** in your CD-ROM drive.

The installer is launched automatically. Follow the instructions that appear on the screen.

- 2** In the installer screens, select the **Typical**, **Compact**, or **Custom** installation option.

Choose this	To install
Typical	The Adobe PostScript printer driver and the KX-P8420 PPD. Also copies the Adobe Type Manager installer (Windows 95 only) and Adobe PostScript 3 fonts to your hard disk.
Compact	The Adobe PostScript printer driver and the KX-P8420 PPD.
Custom	Only the files you select—copies them to your hard disk.

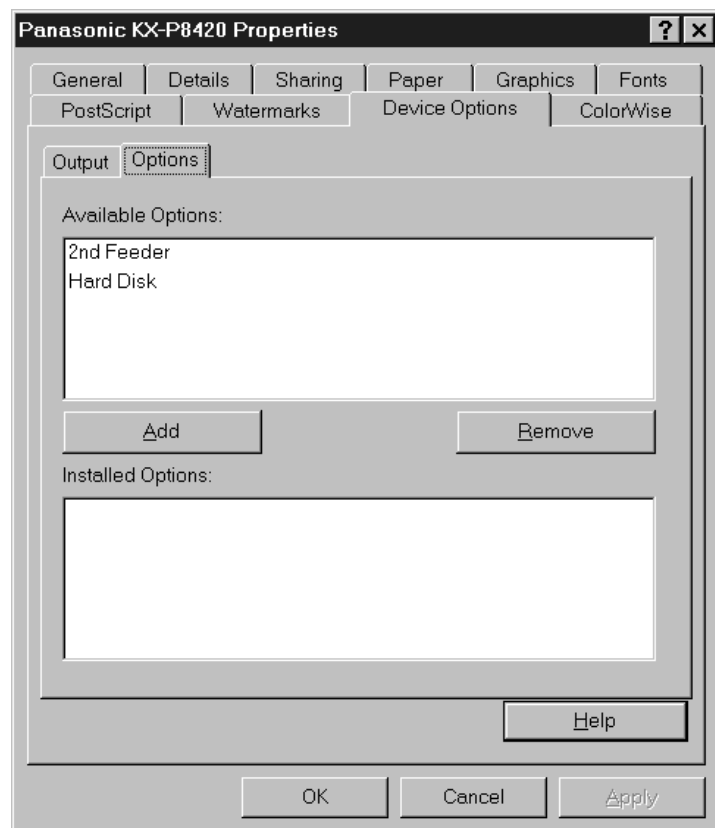
- 3** Follow the instructions that appear on the screen.
A message appears on the screen to indicate installation is complete.

Specifying installed devices

When the printer driver is installed, specify the optional devices installed on your printer to enable use of options relating to those devices.

To specify devices installed on the KX-P8420:

- 1 From the **Start** menu, choose **Settings > Printers**.
- 2 Select the **Panasonic KX-P8420** printer icon and select **Properties** from the **File** menu.
- 3 Click the **Device Options > Options** tab, and specify the devices installed on the printer.



2nd Feeder—Select if an optional 500 sheet feeder is installed.

Hard Disk—Select if an optional hard disk drive is installed.

- 4 For each, select from the **Available Options** list and click **Add** to move the option to the **Installed Options** list.
- 5 Click **Apply** and **OK**.

Completing the connection for Windows 95

To print from Windows 95 you need to:

- Set up the KX-P8420 to accept print jobs from your computer.
- Configure a port on each Windows 95 computer for the network or connection type.

■ Setting up parallel printing with Windows 95

The following procedure describes how to prepare the computer for parallel printing.

To install the printer for parallel printing:

- 1** Click the **Start** button, select **Settings**, and click **Printers**.
- 2** Click the **Panasonic KX-P8420** printer icon and select **Properties** from the **File** menu.
- 3** Click the **Details** tab and make sure the box “Print to the following port:” reads as follows: **LPT 1 (Printer Port)** or **LPT1 (ECP Printer Port)**.
- 4** Click **Apply**.
You are now ready to print from your applications to the KX-P8420 with the parallel port. To confirm the connection, print a test page.
- 5** Click the **General** tab.
- 6** Click the **Print Test Page** button to print a test page.

NOTES:

- When problems with printing have occurred or a test page does not print, see “Troubleshooting” on [page 167](#).
- If “time out error” appears often, perform the following.
 1. Click the Details tab of the printer properties window, then click Spool Settings.
 2. Click “Print directly to the printer” of the Spool Settings window.
 3. Click OK twice.

■ Setting up IPX (Novell) printing with Windows 95

The following procedure describes how to prepare the computer for printing using IPX protocols.

Before you begin:

Verify the KX-P8420 has been configured for Novell printing in Network Protocol Setup.

For more information about setting up the printer for IPX (Novell) printing, see "Setting up IPX (Novell) printing" on [page 61](#).

To set up IPX (Novell) printing:

- 1** Click the **Start** button, select **Settings**, and click **Control Panel**.
- 2** Double-click the **Network** icon.
Make sure that IPX/SPX-compatible Protocol is listed in the Installed Network Components section. For instructions, see your Windows 95 documentation.
- 3** Close the **Network** window and the **Control Panel** window.
- 4** Click the **Start** button, select **Settings**, and then click **Printers**.
- 5** Click the **Panasonic KX-P8420** printer icon, and select **Properties** from the **File** menu (or right-click the printer icon, and left-click **Properties**).
- 6** Click the **Details** tab, and click **Add Port**.
A list of connection options is displayed.
- 7** In the **Add Port** dialog box, click **Network** and specify the network path, or click **Browse** for a display of your network environment.
- 8** If you are using a NetWare file server, double-click the icon of the server you want to use for printing to the KX-P8420 and click **OK**.

- 9** Click the printer icon labeled with the NetWare print queue you will use and click **OK**.
- 10** In the **Add Port** dialog box, verify that the network path is updated, and click **OK**.
To confirm the connection, you can print a Windows 95 test page.
- 11** Click the **General** tab in the **Properties** dialog box, and click **Print Test Page**.

You are ready to print to the KX-P8420 from Windows applications. When you select Print, jobs are routed to the print queue on the NetWare file server, and then sent to the KX-P8420.

NOTE:

- If the test page is not printed, perform the following steps:
 1. Perform steps 1 and 2 to display the Network window.
 2. Double-click IPX/SPX-compatible Protocol in the Configuration tab.
 3. Click Advanced tab and select Frame Type.
 4. Select the same value specified in WebSetup (see [page 120](#)).

Setting up PostScript printing with Windows NT 4.0

PostScript printing with Windows NT 4.0 begins with installation of the PostScript printer driver for Windows NT 4.0 and the KX-P8420 printer PPD, and finishes by configuring a particular type of connection between the workstation and the KX-P8420. The PostScript printer driver for Windows NT 4.0 is not included on the KX-P8420 Driver & Utility CD-ROM, accordingly, if the KX-P8420 is the first PostScript printer to be used with your system, you will need to install this printer driver from your installation CD or disk for Windows NT 4.0. With this version of software, KX-P8420 files support Intel-based Windows NT 4.0.

Adding a printer to a local system requires that you log in to your local workstation (not the network server domain) for Windows NT 4.0 and that you are a member of the Administrators group. The instructions below describe installing a printer locally. The procedure for adding a network printer is similar to adding a port. For more information, see "Setting up TCP/IP and LPR printing with Windows NT 4.0" on [page 86](#).

If autorun is enabled on your computer, when the KX-P8420 Driver & Utility CD-ROM is inserted in the CD-ROM drive, the installer on the KX-P8420 Driver & Utility CD-ROM runs automatically, allowing you to specify the files to install on your computer.

NOTE:

- If autorun is not enabled, you can run the installer by double-clicking the CD-ROM drive icon in My Computer, or by double-clicking the Setup.exe file in the Installer folder on the KX-P8420 Driver & Utility CD-ROM. If optional devices are installed on your printer, follow the instructions in the next section as well.

To install the KX-P8420 as a local PostScript printer:

- 1 Insert the **KX-P8420 Driver & Utility CD-ROM** in your CD-ROM drive.
- 2 Select the **Typical**, **Compact**, or **Custom** installation option.

Choose this	To install
Typical	The Adobe PostScript printer driver and the KX-P8420 PPD. Also copies the Adobe PostScript 3 fonts to your hard disk.
Compact	The Adobe PostScript printer driver and the KX-P8420 PPD.
Custom	Only the files you select—copies them to your hard disk.

- 3 Follow the instructions that appear on the screen.

Installing the PostScript printer driver for Windows NT 4.0

If this is the first PostScript printer installed on your computer and you attempt to install the KX-P8420 PPD, the Files Needed dialog box will appear, prompting you to locate the PostScript driver PSCRIPT.DLL for Windows NT 4.0.

To complete the installation if PostScript files are needed:

- 1 Eject the **KX-P8420 Driver & Utility CD-ROM** and insert the **Installation CD for Windows NT 4.0**.
- 2 In the text field, type the name of the CD-ROM drive (for example, D:\), and click **Browse**.
- 3 Browse to the i386 (the directory containing the PostScript driver).
- 4 Click **OK**, and then click **OK** in the **Files Needed** dialog box.

When installation is complete, the Printers window appears with an icon for the newly installed printer.

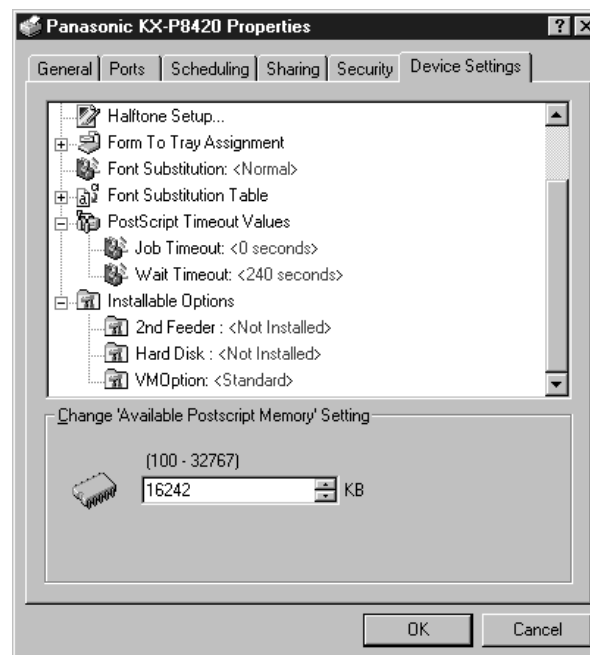
Installing Software for Windows

Specifying installed devices

When the printer driver is installed, specify the optional devices installed on your printer to enable use of options relating to those devices.

To specify options installed on the KX-P8420:

- 1 Select **Settings > Printers** from the **Start** menu.
- 2 Click the **Panasonic KX-P8420** printer icon and select **Properties** from the **File** menu.
- 3 Click the **Device Settings** tab, and scroll down to **Installable Options**.
- 4 Configure the following options to correspond with the features installed on the printer:



2nd Feeder—Select if an optional 500 sheet feeder is installed.

Hard Disk—Select if an optional hard disk drive is installed.

- 5 To select an option click its name, and then select **Installed** in the **Change '...' Setting** area at the bottom of the dialog box.
- 6 Click **OK**.

Completing the connection for Windows NT 4.0

To print from Windows NT 4.0 you need to:

- Set up network servers, if any.
- Set up the KX-P8420 to accept print jobs from your computer.
- Configure a port on each computer with Windows NT 4.0 for the network or connection type.

■ Setting up parallel printing on Windows NT 4.0

Once you have installed the PostScript printer driver for Windows NT 4.0 complete the setup for parallel printing as follows:

To set up parallel printing:

- 1** Click the **Start** button, select **Settings**, and then click **Printers**.
- 2** Double-click the **Panasonic KX-P8420** printer icon, and select **Properties** from the **Printer** menu.
In the Ports tab, confirm that LPT1 (Local Port) is checked. The KX-P8420 is ready to accept parallel print jobs from your computer.
- 3** Select the **General** tab, and click **Print Test Page**.
When you select Print, your files are sent over the parallel port connection to the KX-P8420.
- 4** Select the **Sharing** tab if you want to share the printer with network users. Click **Shared**, and enter a share name.
Select the operating system or systems used by your network clients from the Alternate Drivers box if you want to install a printer driver that those clients can automatically download when they connect.
- 5** Click **OK**. In the dialog box that appears, navigate to the location of the alternate printer driver to install.
- 6** Click **OK** to exit the **Printer Properties** dialog box.

■ Setting up TCP/IP and LPR printing with Windows NT 4.0

Once you have installed the PostScript driver for Windows NT 4.0 complete the setup for the TCP/IP and lpr connection as follows:

- Prepare the KX-P8420 to accept print jobs using TCP/IP and lpr protocols.
- Configure the workstation for the TCP/IP connection.

Before you continue, ask the system administrator for the IP address assigned to the KX-P8420 and the subnet mask as well as gateway address, if they are used.

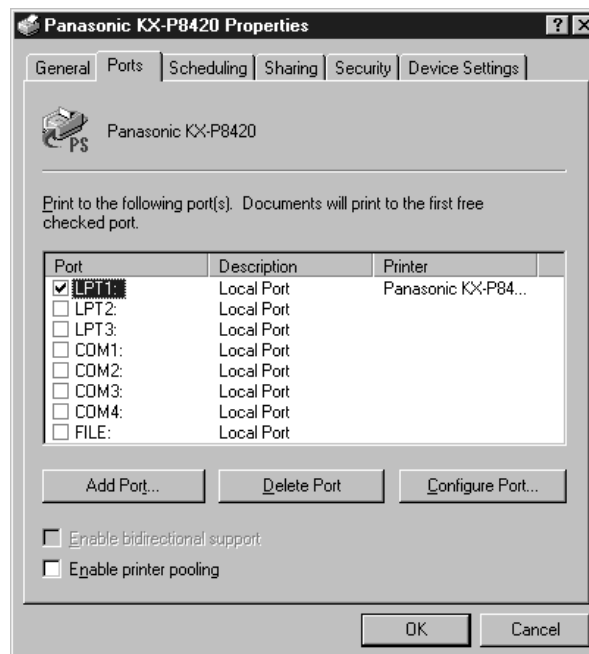
To prepare the KX-P8420 for TCP/IP and LPR printing:

- 1** With the KX-P8420 turned off, connect it to the network.
- 2** Turn on the printer.
Wait until Ready or Ready(Sleep) is displayed.
- 3** Press the **Menu/Exit** button of the printer's front panel.
- 4** Press the **Continue/Forward** or **Cancel/Left** button to advance to **Network Protocol Setup** menu.
- 5** Enable TCP/IP and enter the appropriate settings for IP address, subnet mask and gateway address.
For details, see "Network Protocol Setup" on [page 109](#).
- 6** Press the **Menu/Exit** button to exit the setup menus.

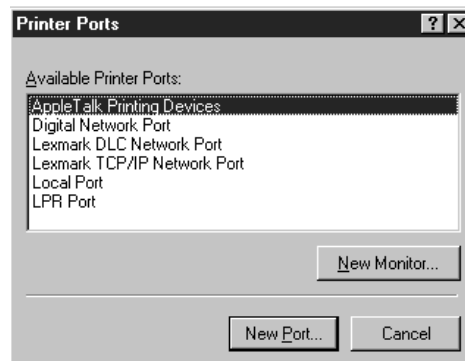
The TCP/IP Protocol and Microsoft TCP/IP Printing software should already be installed on the workstation for Windows NT 4.0.

To set up TCP/IP and LPR printing for Windows NT 4.0:

- 1 Click the **Start** button, select **Settings**, and then click **Printers**.
- 2 Click the **Panasonic KX-P8420** printer icon, and select **Properties** from the **File** menu (or right-click the printer icon, and left-click **Properties**).
- 3 Click the **Ports** tab.



- 4 Click **Add Port**.
The available port types are displayed.



5 Select **LPR Port** and click **New Port**.

If the LPR port is not listed, install the TCP/IP protocols and Microsoft TCP/IP Printing. For details, see your documentation for Windows NT 4.0.

6 In the Name or address of server providing lpr box of the **Add LPR compatible printer** dialog box, enter the IP address of the KX-P8420.

If your network uses Domain Name Services (DNS), enter the DNS name assigned to the KX-P8420 instead of the IP address.

7 Press **Tab** and type the internal name of the KX-P8420 in lowercase letters.

NOTES:

- Type this name exactly as shown; it is required for communication with the printer.

The name must be one of these:

xjdirect
xjhold
xjprint



- Use the last two internal names only if your printer has a hard disk drive and a minimum of 32 MB of memory.

8 Click **OK**.

The workstation checks the address or DNS name that you entered and notifies you if it cannot resolve the address.

9 Click **Close** of the **Printer Ports** window.

The Ports property tab shows the new port configuration.

10 Click **OK** to close the **Panasonic KX-P8420 Properties** dialog box.

The new port has been configured. You should now print a test page to verify the connection.

11 Open the **Panasonic KX-P8420 Properties** dialog box. Click the **General** tab and click **Print Test Page**.

When you print, your files are sent over the LPR Port connection to the KX-P8420.

12 Click **OK** to exit.

Installing the PostScript printer driver for Windows 3.1

The Adobe PostScript printer driver for Windows 3.1 is included on the KX-P8420 Driver & Utility CD-ROM.

To install the Adobe PostScript printer driver:

- 1** Start Windows and exit any applications that start automatically.
- 2** Insert the **KX-P8420 Driver & Utility CD-ROM** into the CD-ROM drive.
- 3** In the **Main** window, double-click the **Control Panel** icon and double-click the **Printers** icon.
- 4** In the **Printers** dialog box, click **Add**, and then click **Install**.
- 5** In the **Install Driver** dialog box, click **Browse**.
- 6** To install the Adobe PostScript printer driver navigate to: d:english\prntdrv\win3x. Click **OK**.
- 7** In the **Install Driver** dialog box that appears, verify the path and click **OK**.
- 8** Select the **Panasonic KX-P8420** from the **Add Unlisted or Updated Printer** dialog box and click **OK**.

The necessary files are installed from the KX-P8420 Driver & Utility CD-ROM to your hard disk. When installation is complete, the Panasonic KX-P8420 on LPT1: appears in the Installed Printers list.

NOTE:

- If you fail to install the Windows 3.1 driver after the message "This driver cannot be updated because it is currently being used by Windows. Wait until Windows is finished using the driver and then try again" is displayed, remove the file `ctl3dv2.dll` under `Windows\system` from the MS-DOS®*¹ prompt and try to install the driver again.

*¹ Microsoft® MS-DOS® operating system (hereafter MS-DOS)

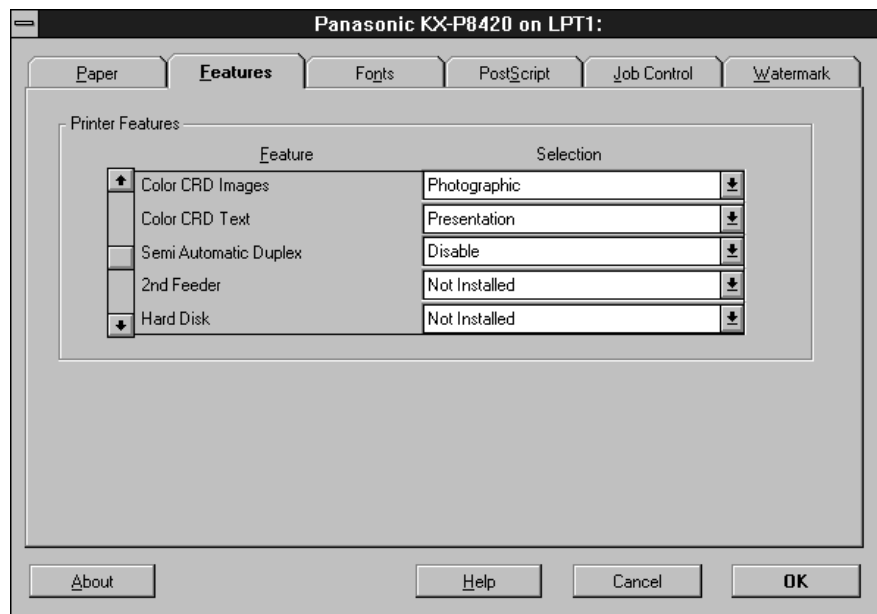
Installing Software for Windows

Specifying installed devices

When the printer driver is installed, specify the optional devices installed on your printer. This will enable use of options relating to those devices.

To specify options installed on the KX-P8420:

- 1** In the **Control Panel** window, double-click the **Printers** icon.
- 2** In the **Printers** dialog box, select the **Panasonic KX-P8420 on LPT1:** in the **Installed Printers** list, and click **Setup**.
- 3** In the **Panasonic KX-P8420 on LPT1:** dialog box, click the **Features** tab.
- 4** Specify the options that correspond to the devices installed on the printer.



- 5** For each option installed on the printer, select **Installed** from the corresponding menu.
2nd Feeder—Select if an optional 500 sheet feeder is installed.
Hard Disk—Select if an optional hard disk drive is installed.
- 6** Click **OK** to activate the current settings.

Completing the connection for Windows 3.1

To print from Windows 3.1 you need to:

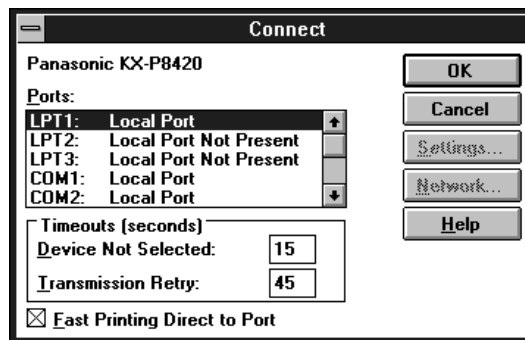
- Set up the KX-P8420 to accept print jobs from your computer.
- Configure a port on each Windows 3.1 computer for the network or connection type.

■ Selecting a printer port

When you install a printer, Windows assigns it to a default parallel printer port. If the KX-P8420 printer is connected to your computer through a network or you want to assign it to a different port, you need to change the port assignment. For information on which port to use, see your system administrator.

To select a printer port:

- 1** In the **Control Panel** window, double-click the **Printers** icon.
- 2** In the **Printers** window, select the **Panasonic KX-P8420 on LPT1:** in the **Installed Printers** list box.
- 3** Click **Connect**.
The Connect window appears.



- 4** Connect the KX-P8420 to the same port as your network.

To print to a file, select FILE.

Printing to a file is useful if the KX-P8420 is not at your site. However, if you select the FILE port, you cannot print to a printer until you select a network or printer port. (In some applications, you can select the FILE port from the application's Print dialog box; this is preferable for temporary use since it doesn't require resetting the port in the Control Panel.)

- 5 Click **OK**.
The Printers window appears, with the selected port next to the highlighted printer name in the Installed Printers list box.
- 6 When you are finished, click **Close**.

■ Setting up IPX (Novell) printing with Windows 3.1

The following procedure describes how to prepare the computer for printing using IPX protocols.

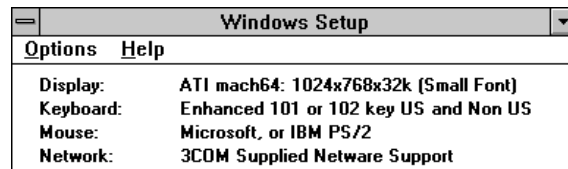
Before you begin:

Verify the KX-P8420 has been configured for Novell printing in Network Protocol Setup.

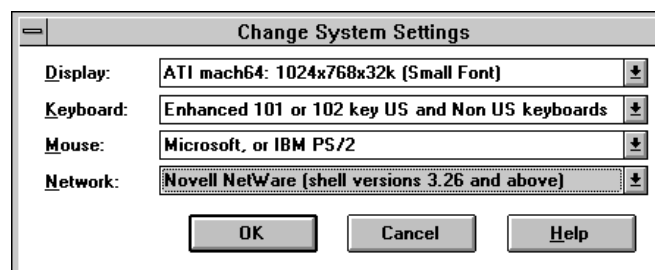
For more information about setting up the printer for IPX (Novell) printing, see "Setting up IPX (Novell) printing" on [page 61](#).

To set up IPX (Novell) printing:

- 1 In the **Main** group of the **Program Manager**, double-click the **Windows Setup** icon.



- 2 Click **Change System Settings** from the **Options** menu.
- 3 Click **Novell NetWare (shell version 3.26 and above)** from the **Network** menu.



- 4** Click **OK**. When prompted, restart Windows.
- 5** In the **Control Panel** window, double-click the **Printers** icon.
- 6** In the **Printers Control Panel** window, click **Connect** to connect the **KX-P8420** to the appropriate port.
- 7** Select **Network**.

If you are printing to a file, select **FILE**. Printing to a file is useful if the printer is not at your site. However, if you select the **FILE** port, you cannot print to a printer until you select a network or printer port. If you select **Network**, the next window depends on the NetWare client driver version.
- 8** If the **Network Printer Connections** dialog box is displayed, select the port in the **Printer connections** box.
- 9** In the **Available** queues list box, select the server and queue name that correspond to the KX-P8420.
- 10** Click the **Connect** button, and then click the **Close** button.

The Connect dialog box is displayed with the network path to the KX-P8420.
- 11** Click **OK** in the **Connect** dialog box.
- 12** Click **Close** in the **Printers** dialog box.
- 13** Click **OK**.

The Printers window appears again, with the selected port next to the highlighted printer name in the Installed Printers list box. You are ready to print from the workstation.

Installing additional software for Windows users

Additional software, including Adobe Type Manager (ATM), a PANTONE color reference file, a CMYK reference file, a KX-P8420 ICM profile, is included on the KX-P8420 Driver & Utility CD-ROM.

When a Typical installation is performed on Windows 95 using the installer, ATM and fonts are automatically installed to a directory on your hard drive directory called Panasonic KX-P8420. When a Compact installation is performed, only the printer drivers appropriate to your system are installed. You can also select which additional files to install during a Custom installation procedure, or you can copy the additional files from the KX-P8420 Driver & Utility CD-ROM to a directory of your choice as they are needed.

NOTE:

- ATM can be installed for Windows 95 and Windows 3.1, but ATM cannot be installed for Windows NT 4.0. Windows 3.1 users must manually copy the files on the KX-P8420 Driver & Utility CD-ROM to their hard drive.

Some files, such as fonts, will need to be moved to specific locations; others can be moved to a directory of your choice.

PostScript and TrueType fonts

Regular, bold, italic, and bold italic versions of PostScript Type 1 fonts, as well as TrueType fonts are provided in the PS3 Fonts folder on the KX-P8420 Driver & Utility CD-ROM. These fonts correspond to the PS3 fonts installed on your printer. To use these fonts in applications and to properly display them on your monitor, you will need to install them on your computer. For information on installing fonts, see the following section.

For a complete list of fonts included with the KX-P8420 printer, see Appendix A of [Drivers and Utilities Reference Guide](#).

ATM (Windows 95 and Windows 3.1)

Adobe Type Manager (ATM) is included on the KX-P8420 Driver & Utility CD-ROM. This application can be used to transfer Type 1 fonts to the printer's memory or hard disk drive, or to manage fonts on the printer. Manual downloading of fonts not already provided on the printer eliminates the need for automatic downloading of fonts used by a document, which speeds printing. You can also:

- Install the PostScript Type 1 fonts that correspond to those installed on your printer
- Print using PostScript fonts on non-PostScript printers
- Improve the screen display of PostScript fonts

When a Typical installation is performed all the files needed to install Adobe ATM for Windows 95 are copied to the KX-P8420 directory. Windows 3.1 users must manually copy the ATM files on the KX-P8420 Driver & Utility CD-ROM to their hard drive (double-click the install.exe in the atm_31 folder).

To install the Type 1 fonts for Windows 95:

- 1** Click **Start** button and select **Programs**, and **Adobe**, then click **Adobe Type Manager**.
- 2** Select the desired font(s) under **c:\PS3Fonts\Type1**.
- 3** Click **Add** button to install them.

NOTE:

- AdobeSansXMM and AdobeSerifMM under the C:\Program Files\Panasonic KX-P8420\Atm_95\PSfonts directory cannot be installed.

To install the Type 1 fonts for Windows 3.1:

- 1** Double-click **Main** icon and **ATM Control Panel** icon. The ATM Control Panel window is displayed.
- 2** Click **Add**.
- 3** Double-click **[PS3fonts]** and **[Type1]**.
- 4** Select fonts you desire in the **Available Fonts** box.
- 5** Click **Add**.
- 6** Click **Exit**.

Installing Software for Windows

See the Help menu of ATM for information on how to use the correct version for your system.

NOTE:

- ATM cannot be used to install TrueType fonts, which are also included in the PS3 Fonts folder. These fonts can, however, be installed on Windows 95 and Windows NT 4.0 using the Control Panel > Fonts > File > Install New Font command. Windows 3.1 users can install TrueType fonts by double-clicking the Control Panel Fonts icon and selecting the fonts to be added. For additional information on installing TrueType fonts on Windows platforms, see the documentation that came with your system.

Color reference pages

CMYK and PANTONE color reference pages are provided on the KX-P8420 Driver & Utility CD-ROM in the form of downloadable PostScript files.

■ CMYK Color Reference

The CMYK Color Reference is a PostScript file (Cmyk_ref.ps), which can be printed using a PostScript downloader utility, such as Fiery WebDownloader or from DOS prompt through parallel port by copy command (ex. copy cmyk_ref.ps prn). If the file has not already been installed in the Panasonic KX-P8420 directory on your hard disk drive, you can copy it from the English>Clrfiles directory on the KX-P8420 Driver & Utility CD-ROM to a directory of your choice.

Each of the 11 pages display swatches in graduated combinations of yellow, magenta, and cyan, and smaller patches that include 25%, 50%, and 75% black. The process colors are shown in 10% increments. You can specify these colors, and colors in between, in any application that allows you to define colors as CMYK percentages—and use the pages to see how they will be printed on your particular printer.

For more information about color management using the CMYK Color Reference, see “Choosing colors in PostScript applications” in [Drivers and Utilities Reference Guide](#).

■ PANTONE Coated Color Reference

The PANTONE Coated Color Reference is a PostScript file (Pantone.ps), which can be printed using a PostScript downloader utility, such as Fiery WebDownloader or from DOS prompt through parallel port by copy command (ex. copy cmyk_ref.ps prn). If the file has not already been installed in the Panasonic KX-P8420 directory on your hard disk drive, you can copy it from the English>Clrfiles directory on the KX-P8420 Driver & Utility CD-ROM to a directory of your choice.

The PANTONE color matching system is a standard color system within the graphic arts and prepress industries. It specifies hundreds of spot colors, each identified with a unique number. Each PANTONE color is simulated on the printer by printing an appropriate combination of process (CMYK) colors. The ability to simulate PANTONE colors is a basic form of color management.

You can choose PANTONE colors in any application that allows you to define colors as named PANTONE colors—and use the pages to see how they will be printed on your particular printer.

For more information about color management using the PANTONE Coated Color Reference, see “Choosing colors in PostScript applications” in [Drivers and Utilities Reference Guide](#).

Removing the KX-P8420 software

Follow the instructions below to remove the KX-P8420 software from your Windows system:

To remove the KX-P8420 software with Windows 3.1:

- 1** From the **Program Manager**, double-click the **Main** icon.
- 2** Double-click the **Control Panel** icon.
- 3** Double-click the **Printers** icon.
- 4** Select **Panasonic KX-P8420 on LPT1** from **Installed Printers**.
- 5** Click **Remove** button.

NOTE:

- Additional files must be removed manually.

To remove the KX-P8420 software with Windows 95:

- 1** Click the **Start** button and select **Programs > Panasonic KX-P8420 > Uninstall Panasonic KX-P8420**.
- 2** In the dialog box that appears, click **Yes**.
- 3** Follow the instructions on your screen.

NOTE:

- To remove the Panasonic KX-P8420 printer icon from the Printers window, click the icon and select Delete from the File menu.

To remove the KX-P8420 software with Windows NT 4.0:

- 1** Click the **Start** button and select **Programs > Panasonic KX-P8420 > Uninstall Panasonic KX-P8420**.
- 2** In the dialog box that appears, click **Yes**.
- 3** Follow the instructions on your screen.

NOTE:

- To remove the Panasonic KX-P8420 printer icon from the Printers window, click the icon and select Delete from the File menu.

Chapter 5 **Installing Macintosh Software**

This chapter describes installing printer driver software and setting up printing on a Macintosh computer. Instructions for setting up additional software provided on the KX-P8420 Driver & Utility CD-ROM are included at the end of this chapter.

Serial port printing (LocalTalk) from Macintosh computers is not supported by the KX-P8420 Color Printer. For instructions on how to connect your printer to a network, see [page 69](#).

General steps for installing Macintosh software



The general steps for installing the KX-P8420 software from the CD and setting up printing on a Macintosh computer are:

- Enable Ethernet and AppleTalk from the printer's front panel
See "Network Port Setup" on [page 107](#) and "Network Protocol Setup" on [page 109](#) for details.
- Enable AppleTalk in the Chooser on the Macintosh
- Install the Adobe PostScript printer driver
- Setup the KX-P8420 in the Chooser
- Copy font files from the KX-P8420 Driver & Utility CD-ROM as needed

NOTE:

- Initial Printer Setup, specifically, setting the printer's IP address and subnet mask, as well as its gateway (if they are used), must be performed from the printer's front panel. Additional options may be specified using the front panel or Fiery WebSetup.

Installing Macintosh printing software

To set up the KX-P8420 as a PostScript printer, you must install the PostScript printer description file (PPD) that corresponds to your printer and the Adobe PostScript printer driver (version 8.5.1 supports PostScript 3) provided on the KX-P8420 Driver & Utility CD-ROM. Printer drivers provide a way to communicate information on print jobs between your applications and the KX-P8420 (and any other PostScript printer connected to your computer).

Installing the Adobe PostScript printer driver

Printer drivers provide your applications with information about your KX-P8420, such as the fonts and paper sizes available. Printer description files give you access to all printing features of the printer driver and applications. When you use the Adobe PS Printer installer, the printer description file is installed automatically.

To install the Adobe PostScript printer driver:

- 1** Insert the **KX-P8420 Driver & Utility CD-ROM** in the CD-ROM drive and open the **English** folder, then the **Adobe PS** folder.
- 2** Double-click the **Installer** icon.
- 3** Click **Yes** in the dialog box that appears.
The Adobe PostScript printer driver and the PPD that corresponds to your printer are installed.
- 4** Click **Restart** in the dialog box informing you that installation is complete.

NOTE:

- For best results any job sent to the KX-P8420 should be sent using the Adobe driver and the KX-P8420 PPD. Provide the installer to all users who send jobs.

Installing Macintosh Software

Setting up the KX-P8420 in the Chooser

After you install the printer driver and printer description file, you need to set up the KX-P8420 in the Chooser. This section describes how to set up the KX-P8420 with the Adobe PostScript printer driver.

To set up the KX-P8420 in the Chooser:

1 In the **Chooser**, ensure **AppleTalk** is enabled.

NOTE:

- If necessary you may need to add the AppleTalk zone in which your printer is located.

2 Click the **AdobePS** printer icon in the **Chooser**.

3 Select the name of the KX-P8420 from the scroll list—Panasonic KX-P8420_Direct, Panasonic KX-P8420_Print, or Panasonic KX-P8420_Hold.

NOTES:

- If the optional hard disk drive is not installed in the printer, only Panasonic KX-P8420_Direct appears.
- The name of a printer corresponds to the system name you edited when you configured a connection to the printer. See “System Setup” on [page 114](#).

4 Click **Create** or **Setup**.

5 Confirm an icon appeared to the left of the printer name selected in step 3.

6 Select the name of the KX-P8420.

7 Click **Setup**.

8 In the dialog box that appears, click **Configure**.

If your printer does not have additional devices installed, skip to [step 12](#).

9 From the pop-up menus, specify the device options installed on your printer. Click **OK**.

This step must be completed to enable features in the printer driver relating to devices installed on the printer.

- 10** In the dialog box that appears, click **Select PPD**.
The Adobe PostScript printer driver automatically selects the KX-P8420 printer description file for your printer.
- 11** Click **Select**, and then click **OK**.
- 12** Close the **Chooser**.

Installing the KX-P8420 ColorSync profile

The Adobe PostScript 8.5.1 driver can convert RGB colors of a file to a specified CMYK device target using ColorSync Color Management. The KX-P8420 Driver & Utility CD-ROM includes a ColorSync profile for the KX-P8420. This profile is optimal for color conversions for the KX-P8420 printer.

The KX-P8420 ColorSync profile (KX-P8420 Color Printer ICC) and monitor profile (EFIRGB ICC) can be found in the ColorSync 2.0 directory. To install this file drag a copy to the System Folder/Preferences/ColorSync Profiles folder.

NOTES:

- Printer profiles selected with ColorSync affect ColorSync compliant applications only.
- ColorSync version must be 2.01 or greater.

To use the KX-P8420 ColorSync printer profile:

- 1** With a document open, select **Print** from the **File** menu.
- 2** Select **Color Matching** from the pop-up menu under the **Printer** pop-up menu in the Print dialog box.
- 3** Select **ColorSync Color Matching** or **PostScript Color Matching** from the **Print Color** pop-up menu.
- 4** Select **KX-P8420 Color Printer ICC** from the **Printer Profile** pop-up menu.
- 5** Click **Save Settings** to save the changes to the settings in the dialog box.

The changes you made will be the default settings until you make additional changes and click Save Settings again.
- 6** Click **OK**.

To close the Print dialog box, click Cancel.
To print a document, click Print.

NOTE:

- PostScript Color Matching must be specified in the Color Matching section of the Print dialog box to enable the use of CRDs.

To use EFIRGB monitor profile:

- 1** Select **Control Panels** from **Apple** menu.
- 2** Select or double-click **ColorSync System Profile**.
- 3** Click **Set Profile...**
- 4** Select **EFIRGB ICC**.
- 5** Click **Select**.
- 6** Close the **ColorSync System Profile** dialog box.

Installing additional software for Macintosh users

Additional software, including Adobe Type Manager, and PostScript screen fonts are included on the KX-P8420 Driver & Utility CD-ROM. Copy fonts files from PS3 Fonts folder on the KX-P8420 Driver & Utility CD-ROM to the System Folder of your Macintosh hard drive. Note that fonts files need to be moved to specific locations (Fonts folder of the System Folder); others can be moved to a folder of your choice.

Adobe Type Manager

Adobe Type Manager (ATM) is included on the KX-P8420 Driver & Utility CD-ROM. Adobe Type Manager (ATM) can be installed by using the installer in the ATM folder. This application can be used to transfer Type 1 fonts to the printer's SDRAM or hard disk, or to manage fonts on the printer. Manual downloading of fonts not already provided on the printer eliminates the need for automatic downloading of fonts used by a document, which speeds printing. You can also:

- Print using PostScript fonts on non-PostScript printers
- Improve the screen display of PostScript fonts

PostScript and TrueType fonts

In addition to PostScript Type 1 fonts, TrueType fonts are included in the PS3 Fonts folder on the KX-P8420 Driver & Utility CD-ROM.

ATM cannot be used to install TrueType fonts. These fonts can, however, be installed by dragging a copy of each from the PS3 Fonts folder on the KX-P8420 Driver & Utility CD-ROM to your System folder.

For a complete list of fonts included with the KX-P8420, see Appendix A of the [Drivers and Utilities Reference Guide](#).

This chapter describes how to configure the printer's Setup options. The settings you specify in Setup determine user access to the printer, printing defaults applied to jobs, and general system settings. Some Setup options are specified during an initial Setup from the printer's front panel; others must be set later from Fiery WebSetup.

Initial Setup from the front panel

Initial Setup for network printing must be performed using the front panel. After the initial Setup is complete, you must finish configuring Setup options using Fiery WebSetup (see [page 112](#)). Some options set from the front panel can also be modified using Fiery WebSetup.

The general steps for performing Setup from the front panel are:

- Specify parallel port settings ([page 107](#)).
- Specify network port settings ([page 107](#)).
- Specify network protocol settings ([page 109](#)).

Before you change any Setup options, it's a good idea to print the current configuration settings, in case you need to restore these settings later. For information on printing a configuration page, see "Printing pages from the front panel" on [page 47](#).

Use the following procedure to access the Parallel Port Setup, Network Port Setup, and Network Protocol Setup menus from the front panel.

To access Setup menus from the front panel:

- 1** Turn on the printer.
Wait until Ready or Ready(Sleep) is displayed.
- 2** Press the **Menu/Exit** button.
- 3** To advance through the options, press the **Continue/Forward** button; to return to previous options, press the **Cancel/Left** button.
- 4** To select an option, press the **Enter** button.
Repeat steps 3 and 4 to continue accessing other options.
- 5** To exit the **Setup** menus at any time, press the **Menu/Exit** button.

ENERGY STAR®

To conserve energy and operating cost, this printer is provided with a programmable power save feature. The printer is factory set with the power save feature turned on. If set to On, the printer automatically turns to energy saving mode when there are no print jobs received or access to the front panel for more than 30 minutes. This mode can reduce the total power consumption of the printer to less than 35 watts. Full power mode is restored when the printer receives a job or when you press the Menu/Exit button or print a page at the printer.

Parallel Port Setup

In addition to receiving print jobs over Ethernet or Token Ring, the printer can receive print jobs from a computer through its high-speed parallel port. If no network card is installed, the printer is connected to a computer via the parallel port.

Parallel Port Setup

To advance to the next screen, press the Enter button.

Enable Parallel?
Yes/No [Yes*]

Press the Enter button and select Yes to enable printing through the parallel port. Press the Enter button.

Time out
5 to 100 [15*]

This screen appears only if Enable Parallel is set to Yes. Use this option to specify how long the printer waits without receiving data from the parallel port before deciding the current job is complete. Press the Enter button.

Data Mode
Binary/ASCII [ASCII*] (*=Default setting)

Network Port Setup

The Network Port Setup menus allow you to specify and set up a printer port type, including: Ethernet (if optional Ethernet card is installed), Token Ring (if optional Token Ring card is installed), or parallel port.

NOTES:

- Ethernet and Token Ring options appear only if an optional Ethernet or Token Ring card is installed.
- The settings do not become effective until the printer reboots or the printer is turned off and on. So if you just change the settings in Network Port Setup and do not change the settings in Network Protocol Setup, you have to turn off and on the printer.

Before you set up the printer for a Novell IPX network, be sure you have set up the Novell servers as described in "Setting up IPX (Novell) printing" on [page 61](#).

Setup from the Front Panel and WebSetup

Network Port Setup

To advance to the next screen, press the Enter button.

A) When the Ethernet card is installed in the printer:

Ethernet Setup

Press the Enter button to enable advance to the Ethernet Speed screen.
Press the Enter button.

Ethernet Speed

Auto-Detect/10Mbps/100Mbps [Auto-Detect*]

Select the speed at which data can be transferred over the Ethernet network or select Auto-Detect to automatically detect the speed at which data can be transferred over the Ethernet network. In some cases, Auto-Detect may not correctly detect. If it happens, specify the correct speed in this menu or from WebSetup.

B) When the Token Ring card is installed in the printer:

Token Ring Setup

Press the Enter button to view Token Ring network options.

NOTE:

- Token Ring options appear only if an optional Token Ring card is installed.

Token Ring Speed

Auto-Detect/4 Mbps/16 Mbps [Auto-Detect*]

Select a speed at which data can be transferred over the Token Ring network, or select Auto-Detect to automatically detect the speed at which data can be transferred over the Token Ring network.

Max. Frame Size

632/1130/2154/4202 [4202*]

Select a frame size for Token Ring communication.

Source Routing

Yes/No [No*]

Select YES to allow the packet to travel to its destination through routers on the network. The packet's source, specified using the routing options listed below, dictate the route that the packet will take. Select No for transparent (no source) routing.

NOTE:

- Req. All Route and Resp. All Route are displayed only when YES is selected in Source Routing.

(* = Default setting)

Setup from the Front Panel and WebSetup

Req. All Route
Yes/No [No*]

If source routing is enabled, select Yes to allow all routers on the network to broadcast the presence of the printer to clients, enabling packets from clients on the network to travel to the printer by any route.

Resp. All Route
Yes/No [No*]

If source routing is enabled, and Req. All Route is set to No, select Yes to allow all routers on the network to broadcast the presence of clients to the printer, enabling packets from clients on the network to travel to the printer by any route.

(* = Default setting)

Network Protocol Setup



Network protocol setup screens are used to specify and setup TCP/IP, Ethernet, TCP/IP Token Ring, AppleTalk and IPX (Novell) network protocols.

NOTE:

- When exiting Setup menus, the printer will automatically restart if changes have been made to Network Protocol settings.

Network Protocol Setup

To advance to the next screen, press the Enter button. Select TCP/IP Setup, AppleTalk Setup, or IPX/SPX Setup, depending on your network connections.

A) When you select TCP/IP Setup:

TCP/IP Setup

Press the Enter button to view TCP/IP options.

Enable TCP/IP?
Yes/No [No*]

Select Yes if you have a TCP/IP network connected to the printer over Ethernet cabling.

Ethernet IP Address or Token Ring IP Address
[127.000.000.001*]

Use this option to assign the printer an Ethernet or Token Ring IP address. Press the Continue/Forward button to increment a value. Press the Cancel/Left button to accept a value and move to the next number to be entered. Numbers are entered from right to left. When all values have been entered, press the Enter button to accept your selection.

(* = Default setting)

Setup from the Front Panel and WebSetup

Ethernet Subnet Mask or Token Ring IP Address
[255.255.255.0*]

Use this option to specify the subnet mask for printing with TCP/IP over Ethernet or Token Ring. Press the Continue/Forward button to increment a value. Press the Cancel/Left button to accept a value and move to the next number to be entered. Numbers are entered from right to left. When all values have been entered, press the Enter button to accept your selection.

Use the arrow buttons to select numbers in the address. Press the Enter button to accept your selection.

Gateway Address
[127.0.0.1*]

Use this option to specify the gateway address for printing with TCP/IP. By default, no gateway address is set. If your TCP/IP network has a gateway and you plan to print using TCP/IP, you must enter the gateway address.

(* = Default setting)

B) When you select AppleTalk Setup:

AppleTalk Setup

To advance to the next screen, press the Enter button.

Enable AppleTalk?
Yes/No [No*]

Select YES if you have an AppleTalk network connected to the printer. Note that you can enable AppleTalk, TCP/IP, and IPX (Novell) communication simultaneously.

NOTE:

- The following option is displayed only if AppleTalk is enabled.

AppleTalk Zone

Select the AppleTalk zone in which you want the printer to appear. If you do not select a zone, the printer is assigned to the default AppleTalk zone.

(* = Default setting)

C) When you select IPX/SPX Setup:

IPX/SPX Setup

To advance to the next screen, press the Enter button.

Enable IPX/SPX?

Yes/No [No*]

Select Yes if you have an IPX (Novell) network connected to the printer. Note that you can enable AppleTalk, TCP/IP, and IPX (Novell) communication simultaneously.

(* =Default setting)

Language Setup

The panel language setup menus are used to select a language for the front panel.

Language

Press the Enter button to view language options.

Menu Mode

English/Français/Deutsch/Español/Italiano [English*]

Select a language for the printer's front panel and Configuration page.

(* =Default setting)

Reset Queues

This screen appears only if an optional hard disk drive is installed. Resetting the queues clears all jobs from the Hold and Print queues, all Check and Print jobs, and the Job Log. It does not affect print option settings specified in Setup from the front panel or from Fiery WebSetup.

Reset Queues

Yes/No [No*]

(* =Default setting)

Hard Disk

This screen appears only if an optional hard disk drive is installed. If you select Yes, all data on the hard disk drive is deleted, including jobs in the Hold and Print queues, Check and Print jobs, and the Job Log.

Format?

Yes/No [No*]

(* =Default setting)

Completing setup from Fiery WebSetup

After you have performed an initial Setup from the printer's front panel (see [page 106](#)), you must complete the process of configuring Setup options using Fiery WebSetup, one of the Fiery WebTools. You can also use Fiery WebSetup to remotely view and modify Setup options later.

Before you can access the Fiery WebTools, you must complete the following:

- Initial Setup, specifically, setting the printer's IP address, and subnet mask as well as its gateway from the front panel; see [page 106](#).
- The procedures described in "Setting up Fiery WebTools" on [page 70](#).

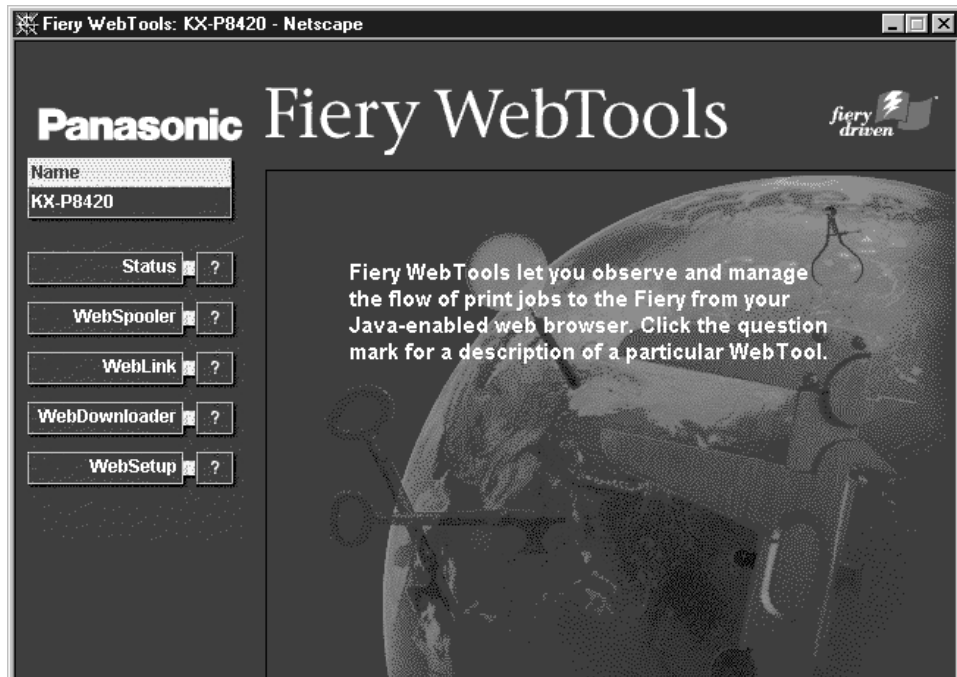
Accessing Fiery WebSetup

To use the Fiery WebTools via the Internet or your site's intranet, you need an Internet browser and the IP address or DNS name of the KX-P8420.

To access Fiery WebSetup:

- 1** Start up your Internet browser application.
- 2** Enter the IP address or the DNS name of the KX-P8420 in the URL line of your browser.

Get the IP address or DNS name from your network administrator.



The KX-P8420 home page appears. The individual Fiery WebTools are listed on the left. To display information about a particular tool, click the question mark next to its name.

3 Click WebSetup.

If a password has been set on the printer, you are prompted to enter it before you can access Fiery WebSetup.



The options that you can specify from Fiery WebSetup are grouped into three categories: System Setup, Network Setup, and Printer Setup. These are described in the following sections.

If you change a Setup option, the Cancel and Save buttons flash when you click to select another Setup category.

- Click Save to save a change made to a setting.
- Click Cancel to cancel a change.

NOTE:

- You must click either Save or Cancel before you can proceed to another Setup category or exit Fiery WebSetup.

When you have finished specifying settings from Fiery WebSetup, click Save to save your settings, and then close the Fiery WebSetup window.

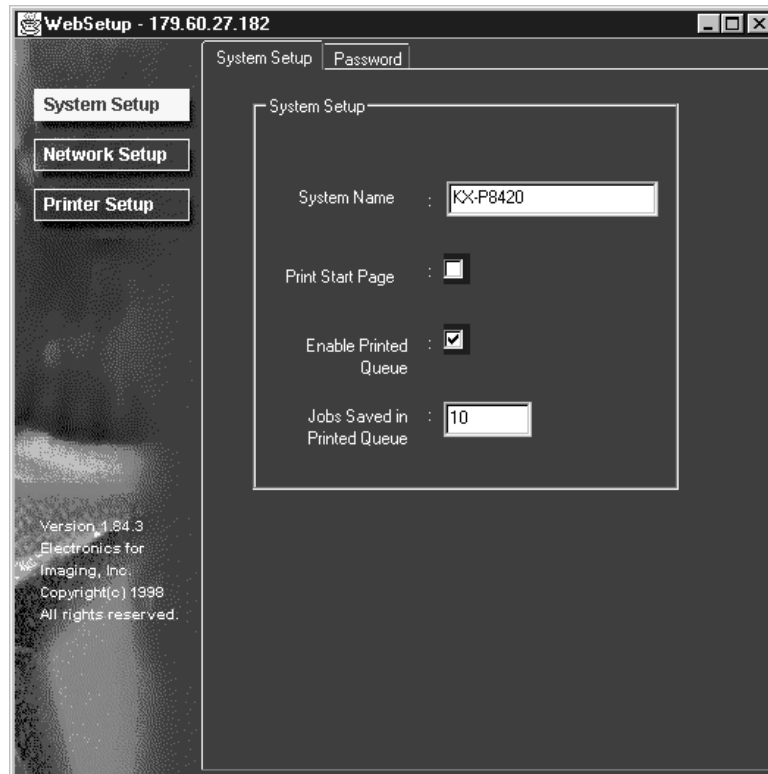
Setup from the Front Panel and WebSetup

System Setup

In System Setup, you specify settings from two tabs: the System Setup tab and the Password tab.

To set System Setup options:

Click the **System Setup** button.



■ System Setup tab

The options that you can set from the System Setup tab are described below.

System Name—The default name of the printer appears in this text field. Edit the default name here. This is the name you should enter when you configure a connection to the printer over AppleTalk.

Print Start Page—The KX-P8420 does not have Start Page. So please ignore this setting.

Enable Printed Queue—If your printer has a hard disk drive installed, select this option to create a storage location on the hard disk for the most recent print jobs. Users with Administrator privileges can use the WebSpooler to reprint jobs in the printed queue without sending those jobs to the printer again.

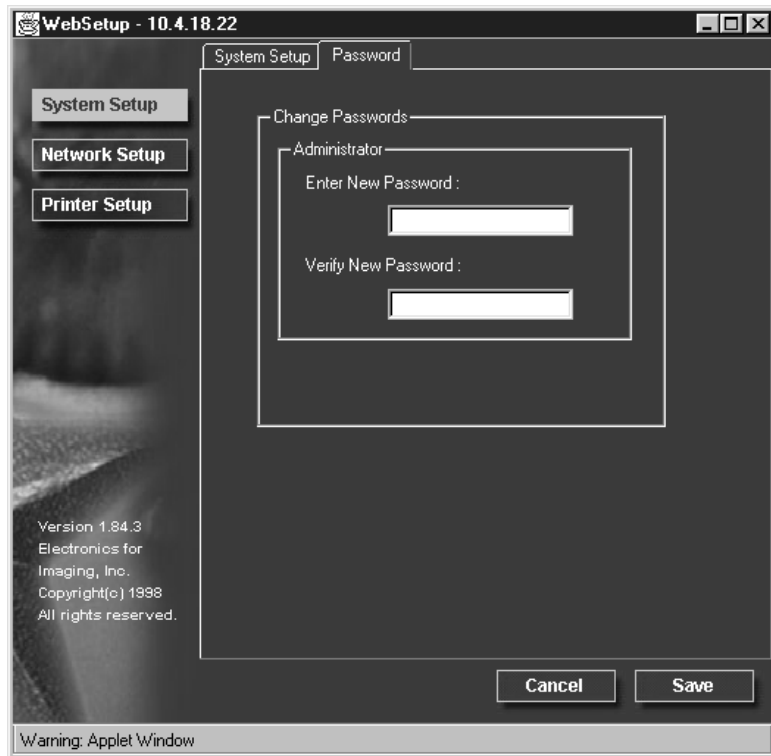
Jobs Saved in Printed Queue—Specify the number of jobs (from 1-99) to be saved in the Printed Queue.

■ Password tab

From the Password tab you can set an Administrator password or change the existing one. Once an Administrator password has been set, users will be prompted for this password when they attempt to access Fiery WebSetup or Fiery WebSpooler.

To set or change the Administrator password:

Click the **Password** tab.



Enter New Password—To set a new password, enter a password in the Enter New Password text field.

Verify New Password—To verify a new password, enter the same password in the Verify New Password text field as you have entered in the Enter New Password text field.

NOTE:

- By default no password is set on the KX-P8420. It is recommended that a password be set to protect the printer from accidental or incorrect changes to printer Setup settings.

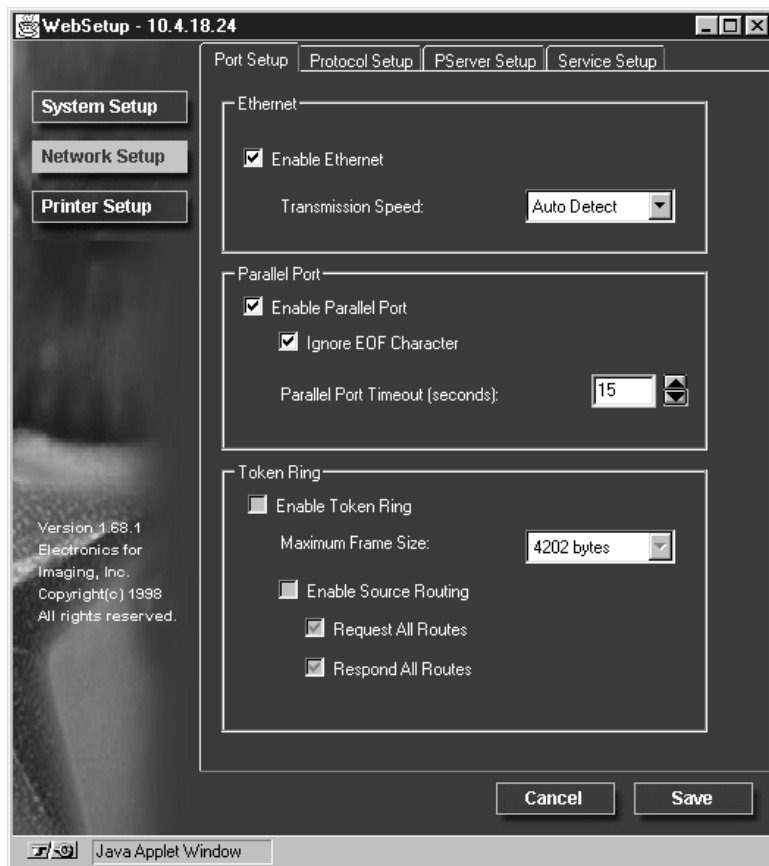
Setup from the Front Panel and WebSetup

Network Setup

In Network Setup, you specify settings from four tabs: Port Setup, Protocol Setup, PServer Setup, and Service Setup.

To set Network Setup options:

Click the **Network Setup** button.



The Port Setup tab is the first tab displayed in Network Setup. You can also access Protocol Setup, PServer Setup, and Service Setup tabs from this window. After setting all the options in the Port Setup tab, click the next tab and continue to specify settings until you have made settings for all relevant options in the Network Setup category.

■ Port Setup tab

The options that you can set from the Port Setup tab are described below.

Enable Ethernet—Enable this option if the KX-P8420 is to be connected to an Ethernet network.

Transmission Speed—Select Auto Detect if your network environment is mixed, or select the speed (10 Mbps or 100 Mbps) of the network to which the KX-P8420 is attached.

Enable Parallel Port—Enable this option if you want to print through the parallel port. You can connect a single Windows computer to the parallel port and print directly to the KX-P8420.

NOTE:

- Enabling the parallel port does not conflict with Ethernet or Token Ring communication with the KX-P8420.

Ignore EOF Character—Available only if Enable Parallel Port is enabled, this option specifies that the KX-P8420 should ignore end-of-file (EOF) messages.

Enabling this option is required to print PostScript files in binary format (not ASCII); under normal circumstances, this option should not be enabled. When this option is enabled, the KX-P8420 uses the parallel port timeout value to determine when the end of the file has been reached.

Parallel Port Timeout (seconds)—Available only if Enable Parallel Port is enabled, this option's setting determines how long the KX-P8420 waits without receiving data from the parallel port before deciding that the current job is complete. Until the timeout, the KX-P8420 cannot receive new jobs through the parallel port, but it can continue to receive network print jobs.

Enable Token Ring—Enable this option if the KX-P8420 is to be connected to a Token Ring network.

Maximum Frame Size—Select the maximum frame size recommended by the network administrator at your site. If you are uncertain of the setting to use, select the default value (4202 bytes).

Enable Source Routing—Enable this option if your network supports source routing.

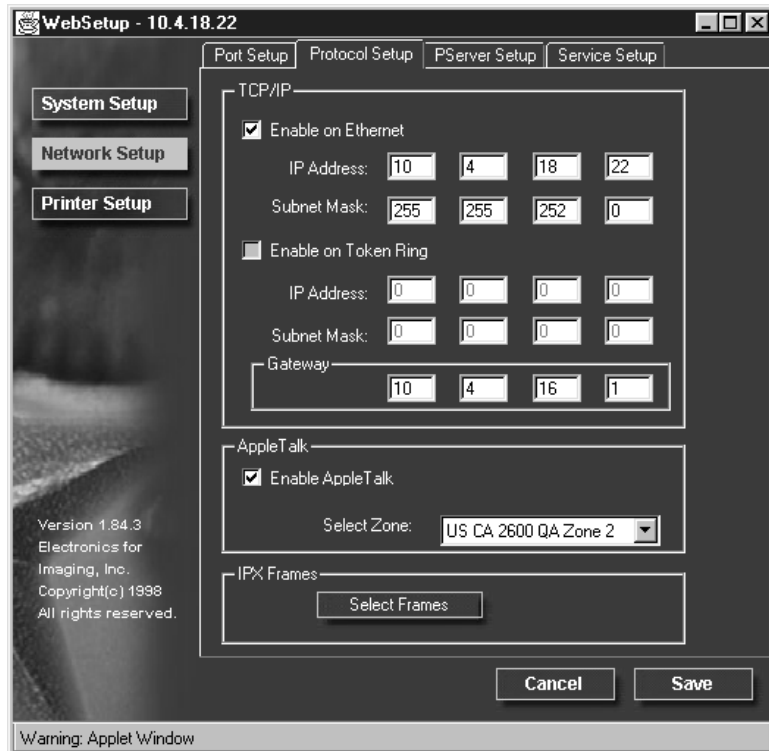
Request All Routes—This option is active only if you enabled Source Routing. Enable this option if you want the Request packet to travel to its destination by all routes.

Respond All Routes—This option is active only if you did not enable the previous option (Request All Routes). Enable this option if you want the Response packet to return by all routes to the originating computer.

Setup from the Front Panel and WebSetup

■ Protocol Setup tab

The options that you can set from the Protocol Setup tab are described below.



The KX-P8420 can accept jobs via TCP/IP (over either Ethernet or Token Ring), AppleTalk, and IPX/SPX simultaneously. To configure the KX-P8420, choose each protocol and enter the settings for that protocol.

Enable Ethernet or, if you have enabled and installed the Token Ring option, enable Token Ring. If your network uses a gateway, enter the gateway address.

Enable on Ethernet—Enable this option if you have a TCP/IP network connected to the KX-P8420 over Ethernet cabling.

You must enable TCP/IP for Ethernet to use the Fiery WebTools over Ethernet.

IP Address—Enter the KX-P8420 IP address for Ethernet. The KX-P8420 is shipped with the IP address set to the loopback address (127.0.0.1), which is an internal address used for network checking. If you plan to print with TCP/IP, you must first assign the KX-P8420 a unique network IP address. For information about setting up printing with TCP/IP, see “Setting up TCP/IP printing” on [page 53](#).

Subnet Mask— If you need to set the subnet mask, enter one of the following values:

- 255.0.0.0 if the IP address starts with a number less than 128
- 255.255.0.0 if the IP address starts with a number from 128 through 191
- 255.255.255.0 if the IP address starts with a number greater than 191

Be sure to confirm the subnet mask setting with your network administrator before proceeding. In some cases the required setting may be different from those listed.

Enable on Token Ring—Enable this option if you have a TCP/IP network connected to the KX-P8420 over Token Ring. If you use Token Ring, enabling TCP/IP for Token Ring is required for enabling the Fiery WebTools.

IP Address—Enter the KX-P8420 IP address for Token Ring. The KX-P8420 is shipped with the IP address set to the loopback address, (127.0.0.1) which is an internal address used for network checking. If you plan to print with TCP/IP, you must first assign the KX-P8420 a unique network IP address. For information about setting up printing with TCP/IP, see “Setting up TCP/IP printing” on [page 53](#).

Subnet Mask—If you need to set the subnet mask, enter one of the following values:

- 255.0.0.0 if the IP address starts with a number less than 128
- 255.255.0.0 if the IP address starts with a number from 128 through 191
- 255.255.255.0 if the IP address starts with a number greater than 191

Be sure to confirm the subnet mask setting with your network administrator before proceeding. In some cases the required setting may be different from those listed.

Gateway—If your TCP/IP network has a gateway, and users outside the gateway plan to print to the KX-P8420 using TCP/IP, enter the gateway address here. By default, the loopback address, 127.0.0.1, is set. Obtain the correct gateway address from your network administrator.

Enable AppleTalk—Enable this option if you have an AppleTalk network connected to the KX-P8420. This setting enables the KX-P8420 to communicate over AppleTalk networks.

Setup from the Front Panel and WebSetup

Select Zone—The KX-P8420 searches the network for AppleTalk zones in your network segment. Scroll through the list to select the AppleTalk zone in which you want the KX-P8420 to appear. If your segment has only one zone, the KX-P8420 is assigned to that zone automatically.

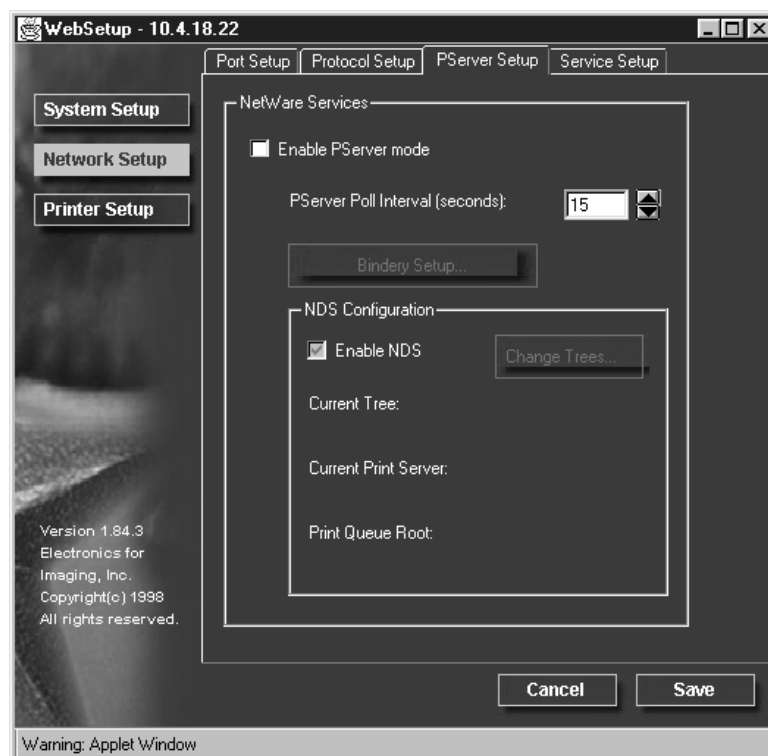
If no AppleTalk zone can be found, your network may have no defined zones, or else the network cable has not been connected (see [page 49](#)). Choose OK.

Select Frames—Click the Select Frames button to specify IPX frames used with NetWare. See your network administrator to verify which frame type to choose.

In the IPX Frames dialog box, select frames and use the Add and Remove buttons to specify the selected frames.

■ PServer Setup tab

IPX (Novell NetWare) options are set in the PServer Setup tab.



You can modify both NetWare 3.x (Bindery) and NetWare 4.x (NDS) configurations from Fiery WebSetup. Turn on the Enable NDS option if your network uses NetWare 4.x in native mode. Click Bindery Setup if your network uses NetWare 3.x or uses NetWare 4.x in bindery emulation mode.

NOTE:

- If your network uses **both** NDS and Bindery, set up NDS first. Setting up NDS after Bindery will overwrite Bindery Setup. If your network uses both NDS and Bindery, including using NetWare 4.x servers in bindery emulation, the KX-P8420 cannot service NDS and bindery emulation servers on the same NDS tree.

PServer Setup (NetWare Services)

The Enable PServer mode option must be turned on if you have a Novell server connected. You can change the PServer Poll Interval and modify either Bindery Setup or NDS Configuration.

NOTE:

- To enable PServer mode you must first select a frame type. See “Select Frames” on [page 120](#).

A) PServer Setup (NDS Configuration)

In initial setup, the KX-P8420 was connected to the network and an NDS directory tree, with a Printer, a Print Server, and one or more Print Queue objects for KX-P8420 jobs was configured (see [page 66](#)). You can make any changes to that setup through WebSetup. To modify NDS Setup you may need permission to browse the NDS tree. If access to the Print Server is restricted, you'll need a login password.

Note that the terms NetWare server, Novell server, and IPX server are in common use and are used here interchangeably to mean the server on an IPX network running Novell NetWare networking software.

To set up the NDS configuration:

- 1** Check the **Enable NDS** check box.
NDS has already been enabled. Uncheck this box only to remove NDS support.
- 2** Click **Change Trees** to open the **Add NDS Tree** window.
You can have only one NDS tree, so the following process is required to change trees.
- 3** Select the current NDS tree and click **Remove**.

Setup from the Front Panel and WebSetup

- 4** Select the new NDS tree and click **Add**.
Your new NDS tree selection automatically overwrites any previous tree selection. If you change the NDS tree selection and there are also current Bindery settings, you are alerted that they will be deleted. If you continue with NDS Setup, you can replace Bindery settings afterwards. To exit NDS Setup, choose Cancel.
- 5** Click **OK**.
The Select login user window appears.
- 6** Select the User Login object from the display in the **Select Login User** window.
- 7** Enter a password if necessary.
- 8** Click **Next**.
The Select Print Server window appears.
- 9** Select the print server from the display in the **Select Print Server** window.
- 10** Enter a password if necessary.
- 11** Click **OK**.
The Select Print Queue root window appears.
- 12** Select the print queue root from the display in the **Select Print Queue Root** window.
- 13** Enter a password if necessary.
- 14** Click **Finish**.
The NDS Configuration window reappears, showing the new settings.
- 15** Click **OK**.
You return to WebSetup window.
- 16** Click **Save**.

B) PServer Setup (Bindery Setup)

Use Bindery Setup if you have already configured one or more bindery servers (file servers running NetWare 3.x or NetWare 4.x in bindery emulation) with a Print Server and a Print Queue for KX-P8420 jobs (see [page 66](#)). Before entering bindery settings, be sure the KX-P8420 is connected to the network and the NetWare file server is running. You'll need a login name, and, if access to the file server or print server is restricted, you'll need a login password.

NOTE:

- The terms NetWare server, Novell server, and IPX file server are in common use and are used here interchangeably to mean the server on an IPX network running Novell NetWare networking software.

Because you can set up more than one Novell server to handle KX-P8420 print jobs, Bindery Setup allows you to add or delete new file server connections and view the connections you have selected.

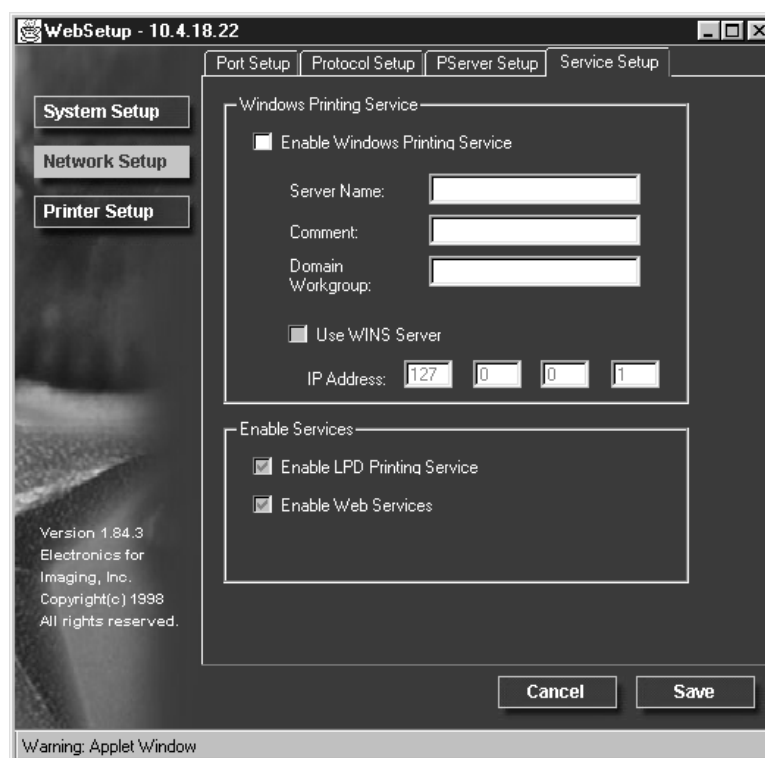
Setup from the Front Panel and WebSetup

To set up the Bindery Setup:

- 1** Click the **Bindery Setup** button to display the **Add Connections** window.
The Novell Setup window appears.
- 2** Click the server you want to add.
- 3** Click **Add**.
The Add Server window appears.
- 4** Enter your user name and password.
- 5** Click **Next**.
The Add Server window shows a list of print servers you can add.
- 6** Select a print server from the list on the left.
- 7** Enter a password if a password is required.
- 8** Click **Finish**.
You return to the main Novell Setup dialog box.
The print server you selected in the step 6 appears.
- 9** Click **OK**.
You return to WebSetup window.
- 10** Click **Save**.

■ Service Setup tab

The Service Setup tab is used to set Windows Printing Service options. Windows Printing Service enables the Microsoft SMB protocol, which supports peer-to-peer printing, also known as Windows (WINS) or SMB printing.



Enable Windows Printing Service— Enable this option to enable SMB (Server Message Block), the file and printer sharing protocol built into Windows. Enabling SMB allows the KX-P8420 to be listed on the network so that Windows clients can print to a particular print connection (Hold, Print, or Direct) on the KX-P8420 without any other networking software. For information on how to set up a Windows client for Windows printing, see [pages 73 and 76](#).

Windows (SMB) printing runs over TCP/IP, so TCP/IP must be configured on all the KX-P8420 and on workstations that use Windows printing.

Server Name—The server name is the name that will appear on the network.

NOTES:

- Lowercase characters are not allowed.
- Each printer should have a different server name, if several KX-P8420 printers are connected to the same network.

Comment—Server comments (optional) can contain information about the printer.

Setup from the Front Panel and WebSetup

Domain Workgroup—Enter the workgroup or domain you want the KX-P8420 to appear in.

NOTE:

- Lowercase characters are not allowed.

Use WINS Server—Select to use a WINS name server. Broadcasts from SMB devices cannot be routed beyond their original network segment without a WINS name server. Setting up the WINS name server is outside the scope of this manual. To find out if a name server is available, contact your network administrator.

IP Address—Enter the IP address of the WINS Server.

NOTE:

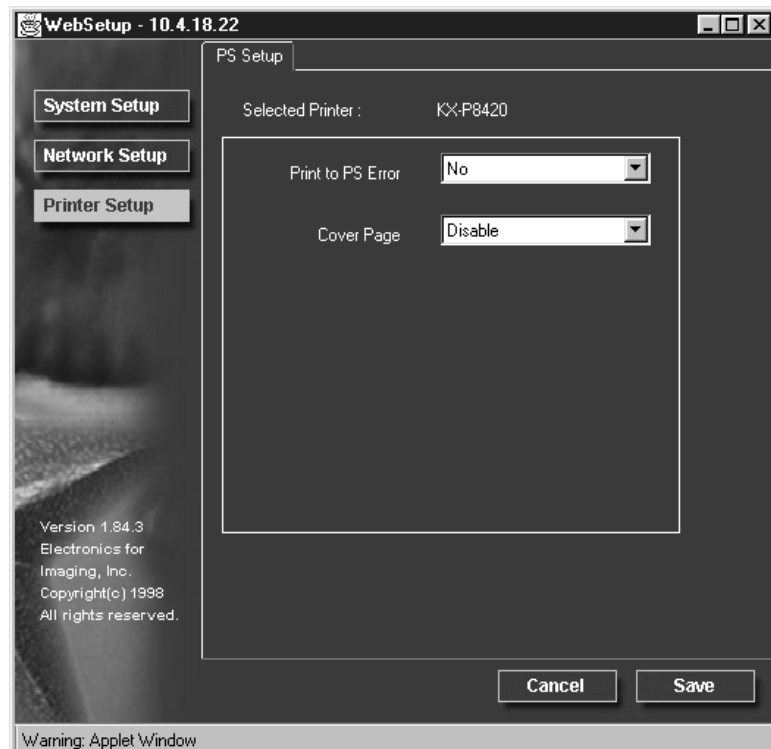
- The Enable LPD Printing Service and Enable Web Services options are not in effect for the KX-P8420.

Printer Setup

In Printer Setup, you specify PostScript printing option settings from the PS Setup tab.

To set PostScript printing options:

Click the **Printer Setup** Button.



■ PS Setup tab

The options that you can set from the PS Setup tab are described below.

Print to PS Error—Specify whether the KX-P8420 should print the available portion of a print job when it encounters a PostScript error. Select Yes to print an extra page with PostScript error messages. Select No to cancel the job entirely whenever a PostScript error is encountered.

NOTE:

- In some cases, the extra page may be printed even when No is selected.

Cover Page—Specify whether the KX-P8420 prints a cover (job summary) page at the end of each print job. If you select Yes, each print job is followed by a page containing the name of the user who sent the job, the document name, the server name, the time the job was printed, the number of pages printed, and the status of the job. If a PostScript error occurs, and the Print to PS Error option is set to Yes, an error message takes the place of the job status.

NOTE:

- Some information may not be printed depending on the operating system on which a job is printed.

Saving your settings and exiting Fiery WebSetup

When you have finished specifying settings from Fiery WebSetup, click Save, and then close the Fiery WebSetup window by clicking the X in the top-right corner of the window. The Reboot window appears, and you are asked whether to reboot the computer or not. Select Yes to reboot the printer and initialize the new settings.

Output from color print devices is subject to changes in temperature and humidity, and is prone to drift over time, with a resulting loss in color predictability. Where color accuracy and consistency are crucial, regular calibration of the KX-P8420 is necessary. The color output of your KX-P8420 color printer is adjusted using three different methods: Bias Adjustment, VisualCal, and ColorWise Color Adjustment.

- **Bias Adjustment**

Used to adjust the overall color density. The overall density is changed slightly as the number of printed pages increases. If you think color output has become too dark or too bright compared to previously printed pages, perform the Bias Adjustment.

It is also recommended that you perform the Bias Adjustment after replacing the color imaging unit and/or the toner cartridge(s).

- **VisualCal**

Used to optimize the printer's range of color density and to adjust gray balance. If you think the gray color in a printed image does not appear to be a pure gray, perform the VisualCal after performing the Bias Adjustment.

- **Color Adjustment**

Used to adjust the overall brightness of color output and saturation of each color. Perform the Color Adjustment after the Bias Adjustment and VisualCal calibration to adjust color output to your preference.

The following sections describe how to use these methods to adjust the color production of your printer.

Bias adjustment

The printer's Bias Adjustment feature provides basic control over the printer's color production. The Bias Adjustment screens, accessible via the front panel, allow you to override the printer's current toner density and brightness settings.

Using the Bias Adjustment and calibration offset controls, you can increase or decrease the density of cyan, magenta, yellow or black, and increase or decrease the overall brightness of all toner colors.

To perform Bias Adjustment:

1. Print a color calibration page to confirm the current Bias Adjustment. (See below.)
2. Compare the color calibration page with the provided color calibration card. (See [page 131](#).)
3. Perform Bias Adjustment. (See [page 132](#).)

NOTE:

- Visual Calibration and Color Adjustment settings may affect the settings of Bias Adjustment.
 - Reset VisualCal before performing the Bias Adjustment. (See [page 140](#).)
 - Restore the settings in Color Adjustment to the default values (all 0) before using the Bias Adjustment. (See [page 143](#).)

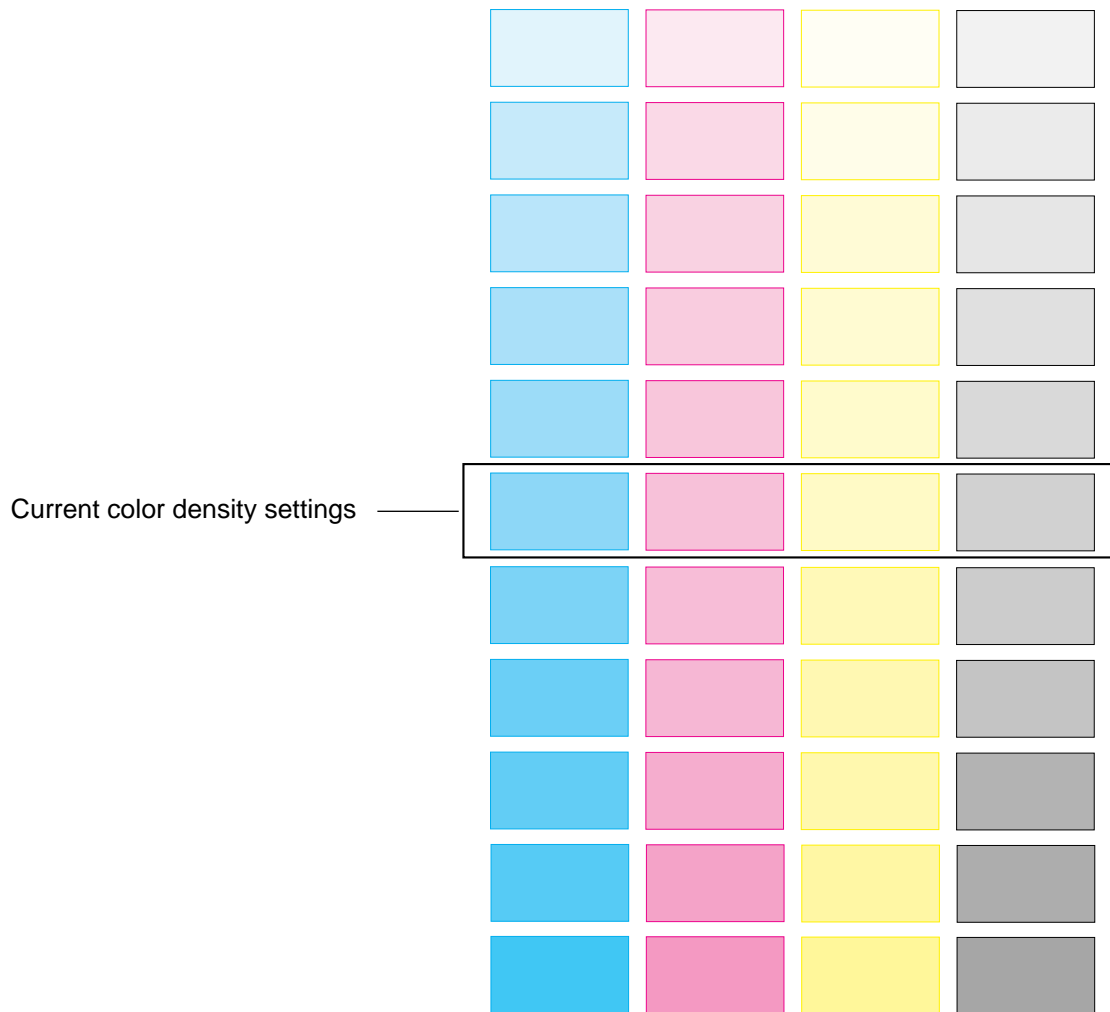
To print a color calibration page:

- 1** Press the **Menu/Exit** button on the printer panel.
Test Page is displayed in the LCD panel.
- 2** Press the **Continue/Forward** button.
Bias Adjustment is displayed in the LCD panel.
- 3** Press the **Enter** button.
Calibration Offset is displayed in the LCD panel.
- 4** Press the **Continue/Forward** button 5 times.
Calibration Test Print is displayed in the LCD panel.
- 5** Press the **Enter** button.
A Color Calibration Page will be printed. (See next page.)

Color Calibration

The current density setting for each color is indicated by the line enclosure on the Color Calibration Page.

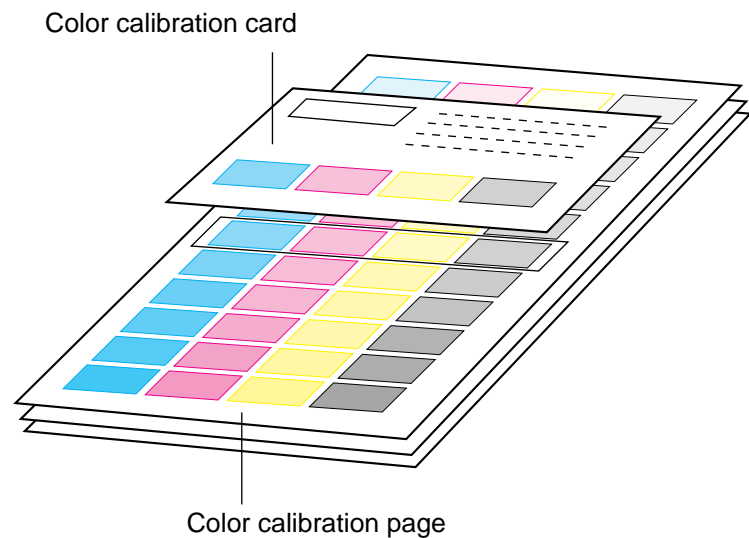
Color Calibration Page:



To compare current setting with the color density samples:

- 1** Compare the current color density settings on the Color Calibration Page with the color density samples on the Color Calibration Card to see if they match.

Place the Color Calibration Page on at least 2 sheets of clean white paper in a well-lighted area.



- If they match, then you do not need to adjust the color density and you may proceed with any operation you wish to perform.
- If they do not match, proceed to “To perform Bias Adjustment:” on [page 132](#).

- 2** Determine which block on the Color Calibration Page most closely matches the density of the cyan sample on the Color Calibration Card.

Repeat step 2 for each color.

To perform Bias Adjustment:

1a If you wish to adjust the density for all colors simultaneously, perform the following, then go to [step 2](#).

1) Repeat steps 1 through 3 in “To print a color calibration page:” on [page 129](#).

Calibration Offset is displayed in the LCD panel.

2) Press the **Enter** button.

0* (-5 to 5) is displayed in the LCD panel.

3) Press the **Continue/Forward** or **Cancel/Left** button to darken/lighten all the colors.

To make the color density setting of the Color Calibration Page darker or lighter by 1 level, increase or decrease a value of the Calibration Offset by 3 by pressing the Continue/Forward or Cancel/Left button.

For example when Calibration Offset is 0:

- If you wish to make the density setting darker by 1 level:
—Select 3 by pressing the Continue/Forward button 3 times.
- If you wish to make the density setting lighter by 1 level:
—Select -3 by pressing the Cancel/Left button 3 times.

4) Press the **Enter** button.

CYAN is displayed in the LCD panel.

5) Press the **Continue/Forward** button 4 times.

Calibration Test Print is displayed in the LCD panel.

1b If you wish to adjust the density for each color independently, perform the following, then go to [step 2](#).

1) Repeat steps 1 through 3 in “To print a color calibration page”.

2) Press the **Continue/Forward** button.

CYAN is displayed in the LCD panel.

3) Press the **Enter** button.

0* (-10 to 10) is displayed in the LCD panel.

- 4) Press the **Continue/Forward** or **Cancel/Left** button to darken/lighten the cyan color.

To make the color density setting of the Color Calibration Page darker or lighter by 1 level, increase or decrease a value of the CYAN density by 3 by pressing the Continue/Forward or Cancel/Left button.

For example when the CYAN density is 0:

- If you wish to make the density setting darker by 1 level:
—Select 3 by pressing the Continue/Forward button 3 times.
- If you wish to make the density setting lighter by 1 level:
—Select -3 by pressing the Cancel/Left button 3 times.

- 5) Press the **Enter** button.

MAGENTA is displayed in the LCD panel.

- 6) Repeat steps 3) through 5) for each color (MAGENTA, YELLOW, BLACK).

- To skip a color, press the Continue/Forward button.
- To return to a previous color, press the Cancel/Left button.
- Before going to step 2, make sure the following is displayed. Calibration Test Print is displayed in the LCD panel.

- 2** Press the **Enter** button to reprint the Color Calibration Page.

- The line enclosure reflects the changes made to the settings.
- If you are not satisfied with the current color density settings, repeat the steps above.

NOTES:

- Changes made using Bias Adjustment are retained until the printer is recalibrated.
- The color density setting affects the average life of toner.
- Save the Color Calibration Card for future calibrations.

VisualCal, 30% match calibration

VisualCal™ is a calibration method that allows you to calibrate your printer to an ideal color output standard.

The calibration calculations performed by the controller software are based on a series of values entered through the front panel. The values used in the calculations are determined by evaluating toner densities and color combinations produced on two specially designed calibration pages printed from the front panel.

The first VisualCal page, Limits, 30% Match, provides the basis for calculating the most acceptable luminosity (brightness) of the toners. This page contains rows of CMYK dots in a graduated range of toner densities.

The variables needed to recalculate the **density** of the colored toners are determined by identifying the leftmost dots that can be fully distinguished against their fields in each row, and sequentially entering their corresponding numeric values via the front panel. The variable needed to recalculate the **luminosity** of the toners is determined in a slightly different way- the user is required to identify the black dot which best matches a 30% dot gain field. When all values have been entered, the printer's toner density and luminosity settings are recalculated.

The second VisualCal page, Gray Balance, provides the basis for calculating a neutral gray balance, that is, a CMY gray that as closely as possible matches a pure K (Black) gray produced by the printer's engine. This page consists of rows of CMY gray patches on a field of gray produced solely from black. The variables needed to calculate the printer's most neutral gray balance are determined by identifying the CMY patch that best matches this field, and entering its row and column location on the front panel. When the values have been entered, the printer's gray balance is recalculated.

NOTES:

- Print the Gray Balance page before the Limits calculations are made, so the gray field on which the CMY patches appear (on the Limits page) reflect the new density and luminosity calibration settings.
- VisualCal/Color Adjustment
 1. You cannot perform VisualCal or Color Adjustment if the printer displays error or warning messages. If you encounter error messages, be sure to troubleshoot them in advance.
 2. If you unintentionally enter an incorrect value during VisualCal calibration, you may see poor color output.

Calibrating the printer using VisualCal

The following procedure outlines how to calibrate the printer using VisualCal.

To perform VisualCal calibration:

- 1 From Ready or Ready(Sleep), press the Menu button and then press the Continue/Forward button repeatedly to advance to the Visual Calibration menu. Press the Enter button.
2 When the screen displays Endpoint Page on the first line and Print on the second line, press the Enter button.

Wait for the VisualCal Limits and 30% Match page to be printed. You will use this page to reset the printer's toner density and luminosity settings.

VisualCal Limits and 30% Match page. Includes instructions on how to use the page, including 'PURPOSE', 'HOW TO USE THIS PAGE', and 'ADDITIONAL INFORMATION'. The page features a grid of color and grayscale patches labeled 'Black Start', 'Black End', 'Cyan Start', 'Cyan End', 'Magenta Start', 'Magenta End', 'Yellow Start', 'Yellow End', and '30% Match'.

VisualCal Limits and 30% Match page

3 When the screen displays **Black Low**, begin the process of specifying **Low** and **High** values for each of the four toner colors, and a value for the 30% Match. Follow the instructions provided on the Limits and 30% Match page.

For startpoints and endpoints:

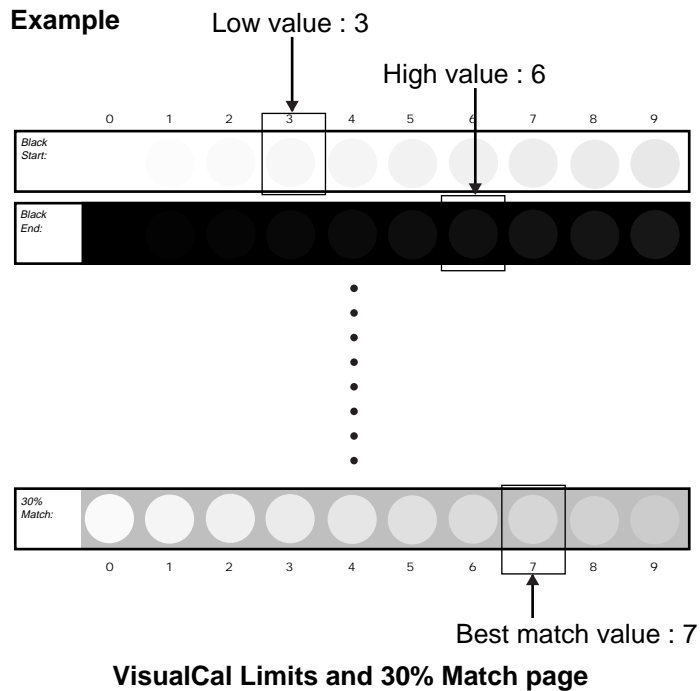
—Locate the leftmost circle you can distinguish from its background.
For best visibility, view the page at an angle under normal lighting conditions. Position the page over several sheets of white paper.

For 30% match (bottom row):

—Locate the circle that best matches the surrounding gray tone.
Holding the page at arm's length, or even further away, makes it easier to choose the best match.

Note that the term **Low** displayed on the front panel corresponds to the term **Start** on the Limits and 30% Match page; for example, to enter the **Black Low** value, check the **Black Start** row on the Limits and 30% Match page.

Use the **Cancel/Left** button or the **Continue/Forward** button to access lower or higher values (numbers). Accept a value by pressing the **Enter** button.



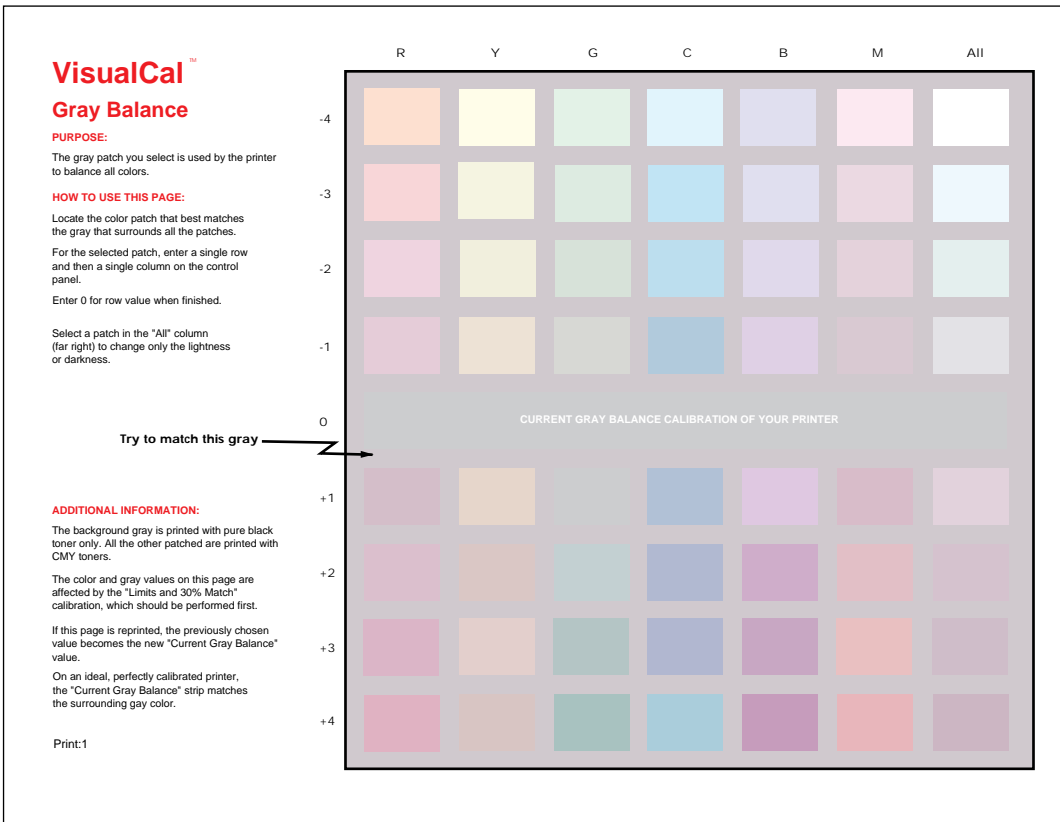
NOTE:

- Zero (0) and 9 are unacceptable values for color calibration. If any of the entered values for any colors are 0 or 9, the Limits and 30% Match page is reprinted automatically. Reenter values for all color rows starting with Black Start (Black Low).

When you have finished entering all values, the Gray Balance Page menu appears.

4 To print the **Gray Balance** page, press the **Enter** button.

The Gray Balance page is printed and Best Patch (row) appears.



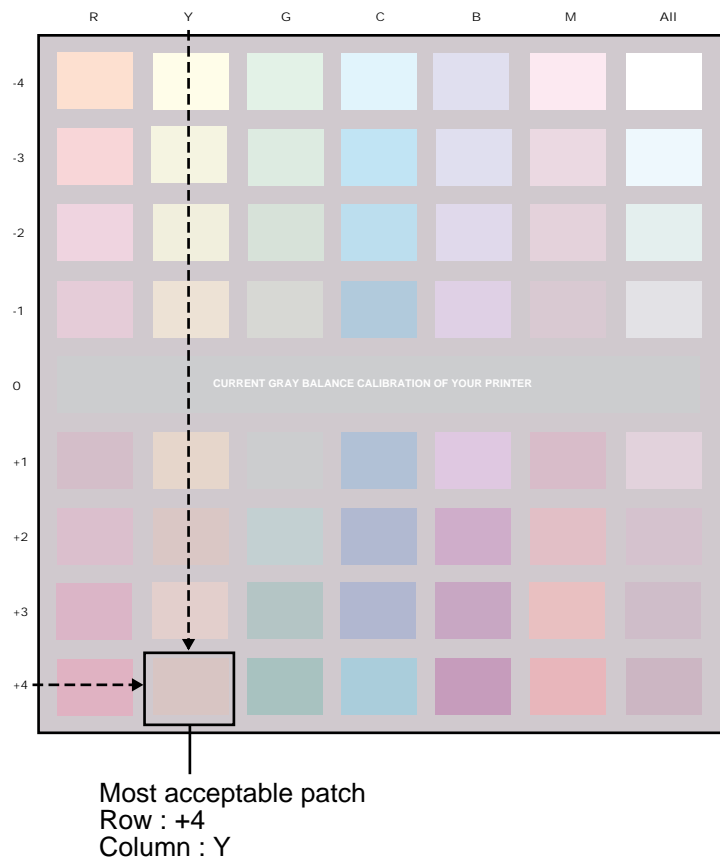
VisualCal Gray Balance page

5 Select the row number of the most acceptable patch. Use the **Cancel/Left** button or the **Continue/Forward** button to select a value (+4 to -4). Accept a value by pressing the **Enter** button. (See the example below.)
Best Patch (col) appears.

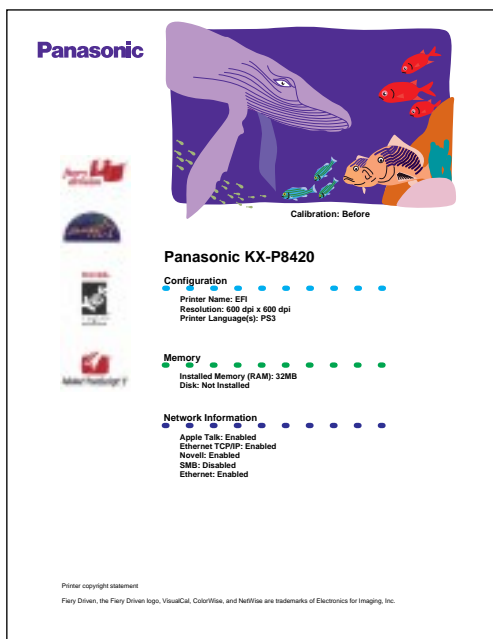
6 Select the column number(R, Y, G...) of the most acceptable patch. Use the **Cancel/Left** button or the **Continue/Forward** button to select the column. Accept a value by pressing the **Enter** button. (See the example below.)

The new Gray Balance page is printed. Best Patch (row) menu appears. If the new gray balance setting is acceptable, press the Enter button. The Color Test menu appears. If it is not acceptable, repeat the steps 5 and 6.

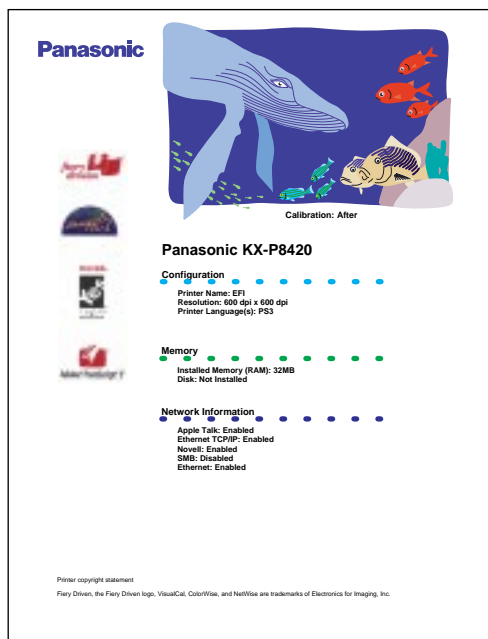
Example for selecting the most acceptable patch:
Row=+4 Column=Y



7 To print a **Color Test** that uses the original values and a **Color Test** that uses the new values, press the **Enter** button.



Calibration: Before



Calibration: After

NOTE:

- You can skip printing Color Test page by selecting Skip.

Before applying the calibration changes compare the Color Test that uses the original calibration values against the Color Test that uses the new values. If you are satisfied with the printer's calibration based on the new values, select Yes from the Apply Changes screen that appears, and press the Enter button to recalibrate the printer based on the previously entered values. If you are not satisfied with the printer's calibration based on the new values, select No from the Apply Changes screen that appears. Or if you want to reset the calibration, select Default.

Resetting the VisualCal calibration

To reset VisualCal calibration:

- 1** From **Ready** or **Ready(Sleep)**, press the **Menu** button and then press the **Continue/Forward** button repeatedly to advance to the **Visual Calibration** menu. Press the **Enter** button.
- 2** When the screen displays **Endpoint Page** on the first line and **Print** on the second line, press the **Enter** button.
Wait for the VisualCal Limits and 30% Match page to be printed.
- 3** For the **Black Low** menu and **Black High** menu, press the **Enter** button each. For the subsequent menus: Cyan, Magenta, Yellow, 30% Match, press the **Enter** button.
The Gray Balance Page menu appears.
- 4** Use the **Cancel/Left** button or the **Continue/Forward** button to select **Skip** menu, and press the **Enter** button.
The Color Test menu appears.
- 5** Use the **Cancel/Left** button or the **Continue/Forward** button to select **Skip** menu, and press **Enter** button.
The Apply Changes menu appears.
- 6** Use the **Cancel/Left** button or the **Continue/Forward** button to select **Default** menu, and press **Enter** button.
The Ready menu appears.

Color adjustment

The printer's color adjustment feature provides additional creative control over printer's color production. The color adjustment screens, accessible via the front panel, allow you to override the printer's current toner density and brightness settings.

Using the color adjustment controls, you can also increase or decrease the brightness of an image, or you can increase or decrease the density of each the following colors: red, yellow, green, cyan, blue or magenta.

For example, you may choose to make the blues in an image look surreal by increasing the density of the blue and the cyan in the image, and increasing the brightness setting.

NOTE:

- You can adjust only one color at a time.

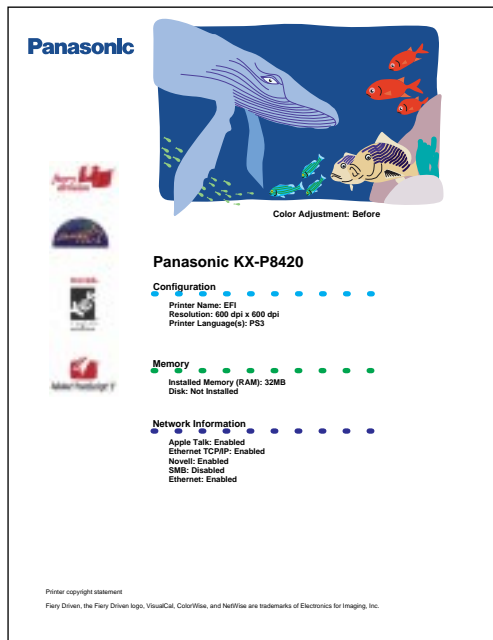
To perform color adjustment:

- 1** From **Ready** or **Ready(Sleep)**, press the **Menu** button and then press the **Continue/Forward** button repeatedly to advance to the Color Adjustment screen. Press the **Enter** button twice.
The Brightness menu appears.
- 2** Use the **Cancel/Left** button or the **Continue/Forward** button to select a value*¹ (+5 to -5) that will increase or decrease in the overall brightness of printed documents. Press the **Enter** button twice.
The Adjust Color menu appears.
*¹ Negative values are darker, positive values are lighter.
- 3** Use the **Cancel/Left** button or the **Continue/Forward** button to select a color to be adjusted, and press the **Enter** button.
- 4** Use the **Cancel/Left** button or the **Continue/Forward** button to select a value*² (+5 to -5) that will increase or decrease in the density of the color to be adjusted. Press the **Enter** button twice.
The Color Test menu appears.

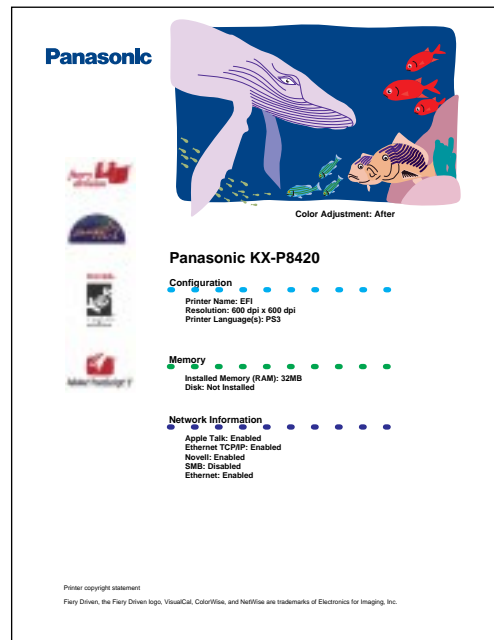
*² Negative values are lighter, positive values are darker.

5 To print a **Color Test** that uses the new values, press the **Enter** button.

Color Adjust Test pages that use the previous value and the new values are printed.



Color Adjustment: Before



Color Adjustment: After

6 Press the **Enter** button.

The Apply Changes menu appears.

7 To apply the new color and brightness values use the **Cancel/Left** button or the **Continue/Forward** button to select **Yes**. Press the **Enter** button.

NOTE:

- Changes made using Color Adjustment are retained until the printer is recalibrated. Or reset the adjusted colors to the last calibration made using the Reset All to 0 option in the Adjust Color screen; or recalibrate the printer using VisualCal.

**Resetting the
Color
adjustment**

To reset Color adjustment:

- 1** From **Ready** or **Ready(Sleep)**, press the **Menu** button and then press the **Continue/Forward** button repeatedly to advance to the Color Adjustment screen.
- 2** Press the **Enter** button twice.
The Brightness menu appears.
- 3** Press the **Enter** button twice.
The Adjust Color menu appears.
- 4** Use the **Cancel/Left** button or the **Continue/Forward** button to select **Reset All**, and press the **Enter** button.
- 5** Use the **Cancel/Left** button or the **Continue/Forward** button to select **Yes**, and press **Enter** button twice.
The Color Test menu appears.
- 6** Press the **Enter** button.
Color Adjust Test pages that use the previous value and the new values are printed.
- 7** Press the **Enter** button.
The Apply Changes menu appears.
- 8** Use the **Cancel/Left** button or the **Continue/Forward** button to select **Yes**, and press the **Enter** button.
The Ready menu appears.

Cleaning

Periodic cleaning of the printer is recommended, depending on the environment in which the printer is used. You should clean the printer:

- At least once a month
- When the printer experiences frequent media jams
- When print quality starts to deteriorate

To clean the outside of the printer:

- 1** Turn the power OFF.
- 2** Clean all the covers with a soft cloth, using any mild commercial cleaner.

CAUTION:

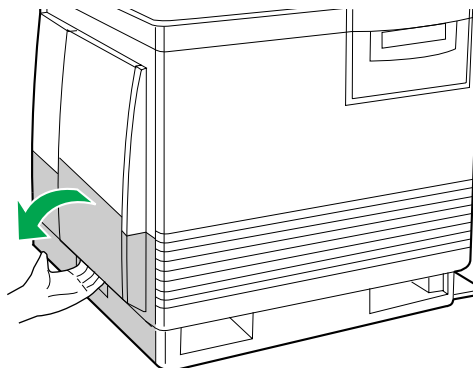
- Do not use benzine, thinner, aerosol cleaners, or any abrasive powder.

NOTE:

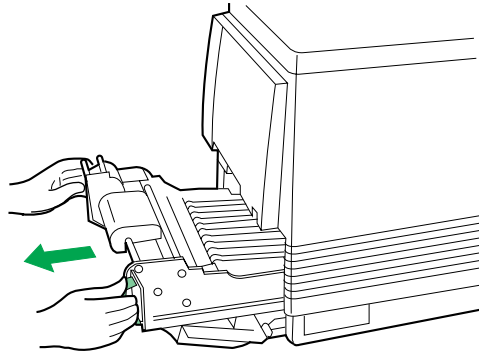
- When using isopropyl alcohol with a lint-free cloth, make sure that the alcohol is at least 90% pure, obtainable from your local pharmacy. (Do not use rubbing alcohol; it can damage the printer.)

To clean the paper-pick rollers:

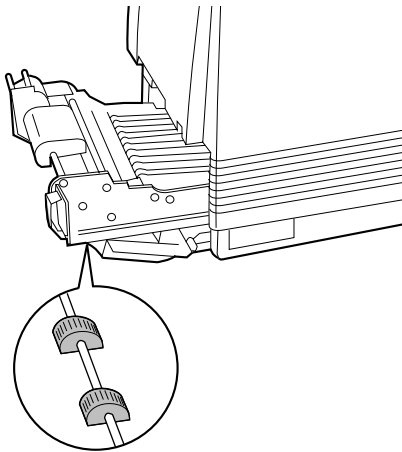
- 1** Slide the media tray out (you do not have to remove it) to allow access to the paper-pick rollers.
- 2** Open the left side door:



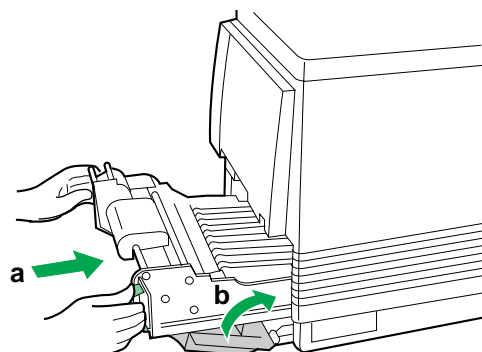
- 3** Use the green handles to pull out the paper feeder.



- 4** Gently rotate the paper-pick rollers 180° (the paper-pick rollers are D-shaped) and wipe them with a lint-free cloth moistened with isopropyl alcohol.



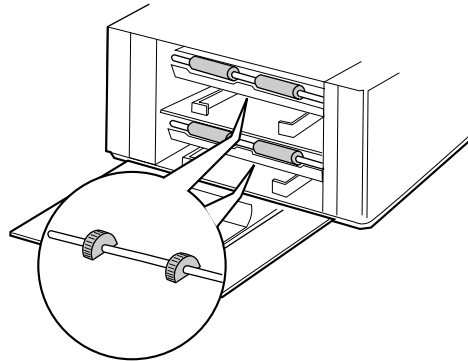
- 5** a) Reinsert the paper feeder.
b) Close the left side door.



- 6 Slide the media tray back into place.

NOTE:

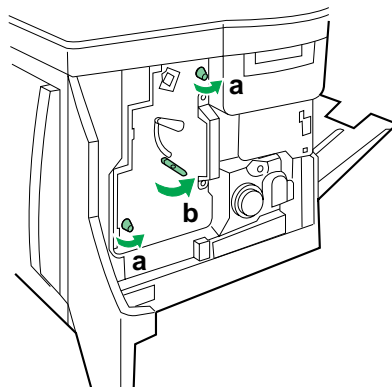
- If you have a 2nd Cassette Feeder, you may also need to clean the rollers for the middle and lower media trays, which are accessed through the **lower** left side door.



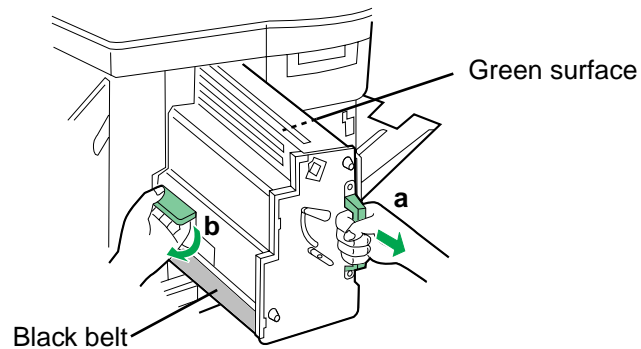
To clean the home sensor:

If your printer panel displays PRINTER ERROR 30, clean the home sensor inside the printer.

- 1 Open the printer's front door.
- 2 Remove the color imaging unit.
 - a) Loosen the two thumbscrews by turning them counterclockwise.
 - b) Turn the lower green lever 180° counterclockwise.



- 3**
- a) Grasping the front green handle, slide the color imaging unit out until it catches.
 - b) Lift up the left green handle. Pull the color imaging unit out of the printer and cover it to protect it from light exposure.



IMPORTANT:

- Do not touch the green surface (the right side) or the black belt (the underside). Finger prints may affect the print quality.

SAFETY CAUTION:

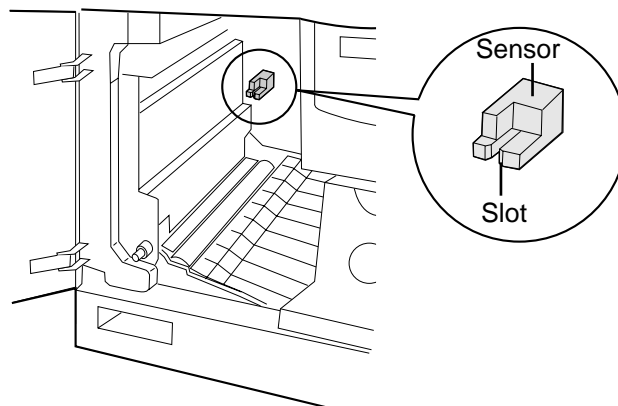


- The color imaging unit weighs approximately 6.5 kg {14.3 lbs.}. Always use the handles when lifting it.

CAUTIONS:

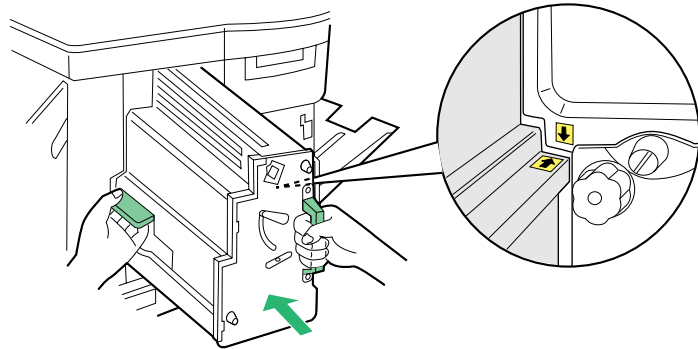
- Do not expose the color imaging unit to artificial light for more than 45 seconds; or you may damage the unit. Never expose it to direct sunlight.
- Do not leave the printer's front door open for an extended period of time (for example, several hours).

- 4** Use a dry, lint-free cloth to wipe the slot of the sensor.

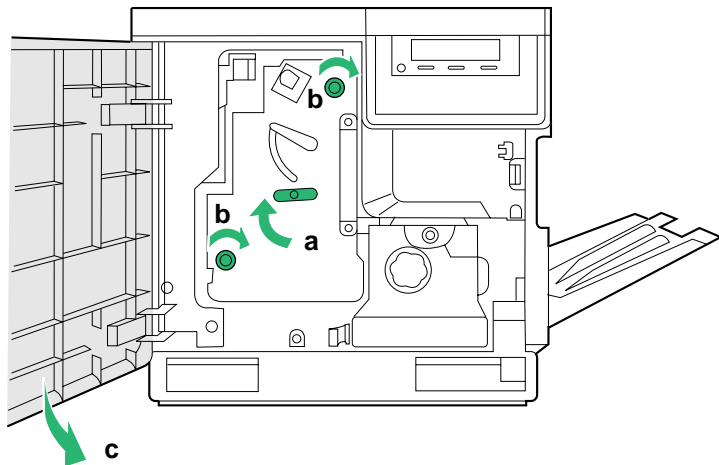


- 5** Reinsert the color imaging unit into the printer, holding it by its green handles.

Match the arrow on the right side of the color imaging unit with the arrow on the printer, and slightly push the color imaging unit into the printer. Then release the left handle and push the unit in until it stops.

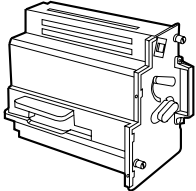


- 6**
- a) Turn the lower green lever clockwise 180° to insert the unit completely and to lock it.
 - b) Tighten the two green thumbscrews by turning them clockwise.
 - c) Close the front door.



User replaceable components

When the printer panel indicates that a supply needs to be replaced, make sure that you have replacement supplies on hand. The printer may continue to print until the supply is completely used up; but then it stops until you replace the indicated supply.

Printer component	Printer panel message	Average life
	Image Unit wearing out Change the color imaging unit soon.	Monochrome 57,000 pages or Color 14,250 pages
	Imaging Unit Worn out Change the color imaging unit now.	Monochrome 60,000 pages or Color 15,000 pages

*1 These figures are based on an average of 5% coverage of the printable area and standard density for any one color (refer to Example A below left: Monochrome 5% coverage). 4 colors (Cyan, Magenta, Yellow and Black) are used for full color print. The frequency of replacement will vary, depending on the complexity of the prints and the percentage of coverage of each color and print density.

Example B below right is the case of full color print. The percentage of coverage of each color is as follows. Cyan: 40%, Magenta: 22%, Yellow: 35%, Black: 20% If you continuously print with this setting, the average life of the Color Imaging Unit will be shortened to about 2,500 pages.

Example A

Personal Image Editing System
model No. XX-XXXX

Feature:
Congratulations on your purchase of the XX-XXXX, the three-in-one solution to today's office needs. This amazing little desktop unit can be used as a : Printer,Scanner,Copier.

Printer Specification
 Printing Method: Semiconductor Laser and Electro-Photography
 Print Speed: 6 ppm maximum(A4 size paper;text mode;5% image area)
 Resolution: 600dpi x 600dpi
 Paper Feed: 1 Multi-purpose manual feed up to 100 sheets of paper(75gsm(20lbs.))
 Paper Output: Face-down paper ejection(up to 50 Sheet) (75gsm(20lbs.))
 Software Emulation: GDI+Soft PCL4.5
 Paper Size/Weight: Letter,Legal,A4,Envelope,Executive,OHP,Label
 Memory Capacity: 512KB

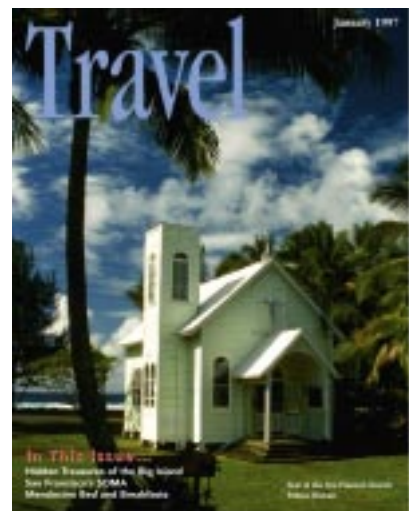
Scanner Specification
 Method: Contact Image Sensor
 Resolution Scan: 300dpi x 600dpi , 300dpi x 300dpi
 Max Scanning width: 8.18"(208mm) Sensor Effective Scanning Width
 Document Size: Letter(A4,Legal,Business Card)(Manual Feed)
 ADF Capacity: 20 Sheet
 Scan Speed: 5 PPM
 Scanner I/F Driver: TWAIN

Other Specification
 Operating Environment: 10 to 32.5°C [50 to 90.5° F] 20 to 80%RH
 Storage Environment: 0 to 35°C [32 to 95° F] 20 to 80%RH

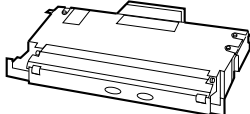
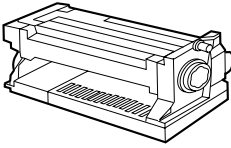
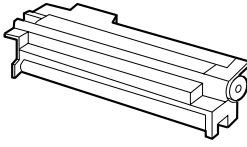
Feature:
Congratulations on your purchase of the XX-XXXX, the three-in-one solution to today's office needs. This amazing little desktop unit can be used as a : Printer,Scanner,Copier.

⊗ Application Soft : Text Bridge , Card Scan

Example B



Care and Maintenance

Printer component	Printer panel message	Average life
Toner cartridges* ¹ * ² 	Low <Color> Toner Change the color toner cartridge soon.	12,000 pages (Black) or 10,000 pages (CMY)
	<Color> Toner Empty Change the color toner cartridge now.	
Fuser unit* ³ (oil supply roll installed) 	Fuser Unit wearing out <i>alternates with</i> Oil Roll wearing out Change the Fuser unit soon.	28,500 pages
	Fuser Unit and Oil Roll Worn out Change the Fuser unit now.	31,000 pages
Oil supply roll* ³ 	Oil Roll wearing out Change the Oil supply roll now.	15,000 pages
	Oil Roll Worn out Change the Oil supply roll now.	15,500 pages


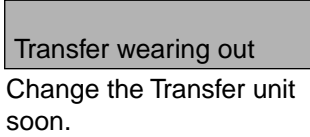
*¹ Refer to *¹ on [page 149](#).

*² The starter cartridges that ship with the printer have an average life of approximately 3,000 pages, based on an average of 5% coverage.

*³ Specialty media (Transparencies, coated paper, etc.) will result in shortening the life of a consumable to maintain better print quality. When replacing the fuser unit, replace the oil supply roll as well. **Do not insert the used oil supply roll into the new fuser unit; it may damage the new fuser unit.**

NOTE:

- If you print with high density when Low <Color> Toner is displayed, you may get faded printout before <Color> Toner Empty is displayed.

Printer component	Printer panel message	Average life
Transfer unit* ⁴ 		80,000 pages

*⁴When you have just replaced Transfer unit, you must select Yes in the New Transfer Unit menu. See “Maintenance” on [page 152](#).

Displaying the life of supplies and coverage of toner

Maintenance

This menu shows how much percentage of each consumable life remains to be used. Please note that the values shown here is just the approximate value and are not always correct. So the consumable wearing warning message might occur regardless of the displayed values.

Page Count—It shows the pages your KX-P8420 has printed since your purchase of the printer.

Toner Cartridge—It shows the percentage of CYAN, MAGENTA, YELLOW and BLACK toner cartridges remaining.

- CYAN : ###%Remaining
- MAGENTA : ###%Remaining
- YELLOW : ###%Remaining
- BLACK : ###%Remaining

NOTE:

- If you replace the toner cartridge before Low <Color> Toner or <Color> Toner Empty is displayed, the value of the toner cartridge remaining will be incorrect.

Imaging Unit—###% remaining shows the percentage of the life of color imaging unit remaining.

Transfer Unit—It shows the percentage of the Transfer unit remaining.

- ###% remaining
It shows the percentage of the Transfer unit remaining.
- New Transfer Unit (No/Yes)
You must select Yes when you have just replaced Transfer unit.
The life will be reset to 100% remaining by selecting Yes.

Fuser Unit—###% remaining shows the percentage of the Fuser unit remaining.

Oil Roll—###% remaining shows the percentage of the Oil roll remaining.

Image Area

Last—It shows the percentage of the whole printable area covered by each toner in the previously printed page. This menu cannot show the value correctly just after the printer was turned on.

- CYAN: ###%
- MAGENTA: ###%
- YELLOW: ###%
- BLACK: ###%

Average—It shows the average percentage of the printable area of all pages printed covered by each toner.

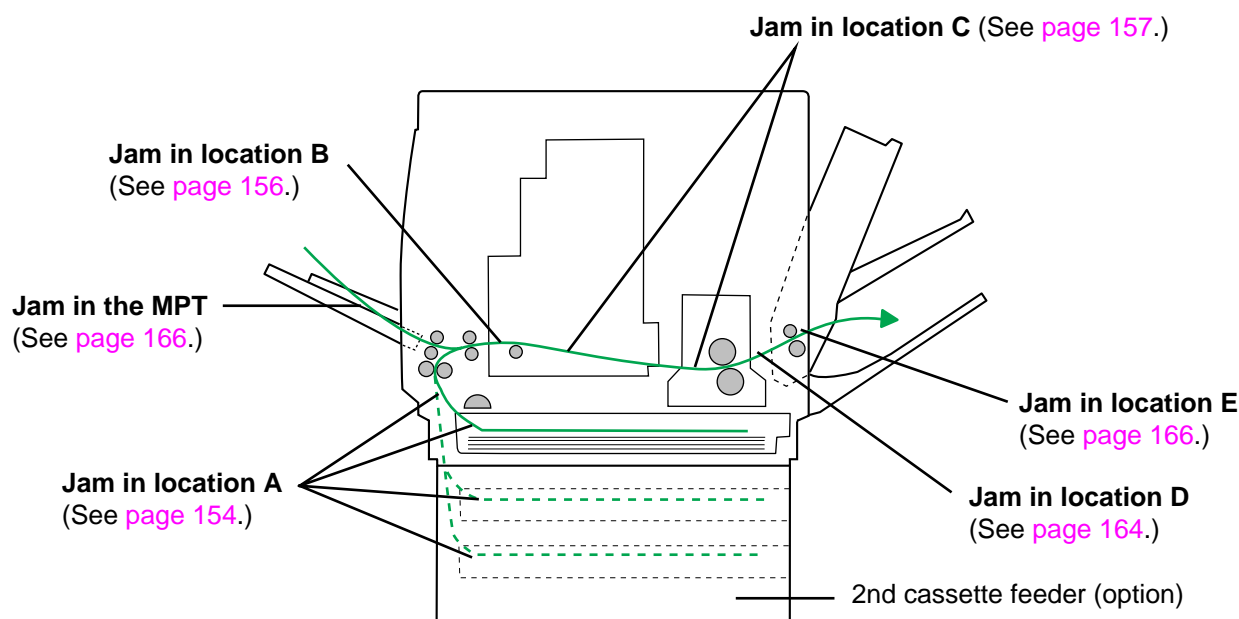
- CYAN: ###%
- MAGENTA: ###%
- YELLOW: ###%
- BLACK: ###%

Clearing media jams

If the printer has frequent media jams, make sure that you follow these guidelines:

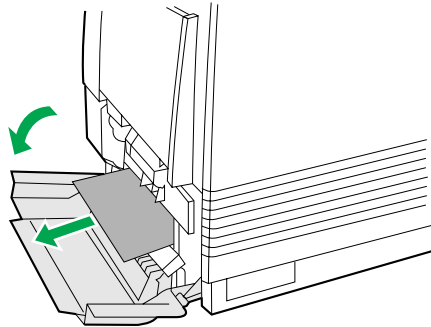
- Always use high-quality laser paper and transparencies. See [pages 207 and 209](#).
- Make sure that you load specialty media only in the multi-purpose tray and that you set the media thickness switch to the correct setting for the media used.

If a media jam occurs, the printer panel reports JAM AT <LOCATION>, where <LOCATIONS> are the various sensors throughout the paper path, shown as A through E in the illustration below.



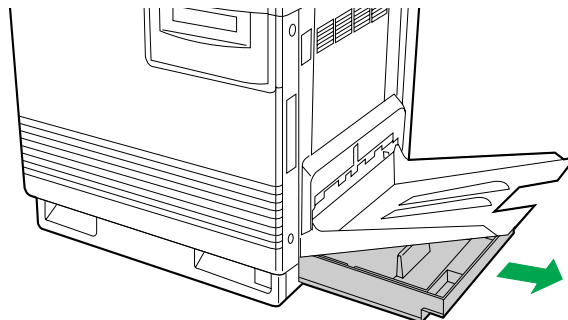
To clear media jams in location A:

- 1** Open the left side door corresponding to the selected media tray and remove the jammed media.

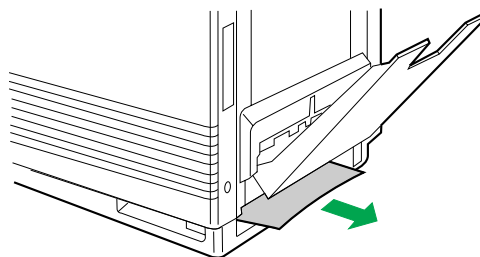


- 2** Close the left side door.
OR

- 1** Remove the media tray.



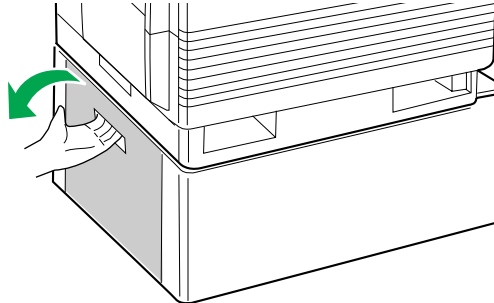
- 2** Remove the jammed media from inside the printer.



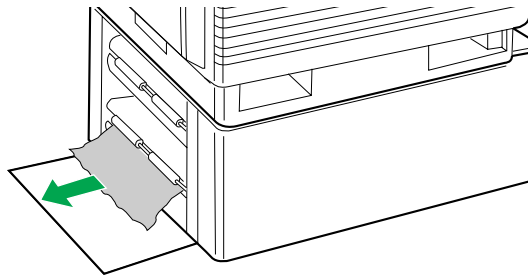
- 3** Reinsert the media tray.
- 4** Open and close the front door to clear the error message from the LCD.

To clear media jams in the 2nd cassette feeder:

- 1 Open the lower left side door.



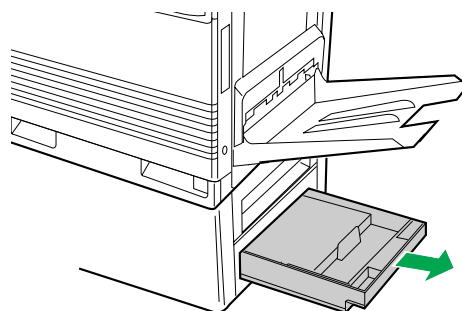
- 2 Remove the jammed media.



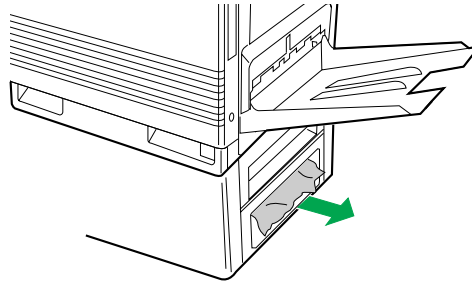
- 3 Close the lower left side door.

OR

- 1 Remove the selected media tray (middle or lower media tray).



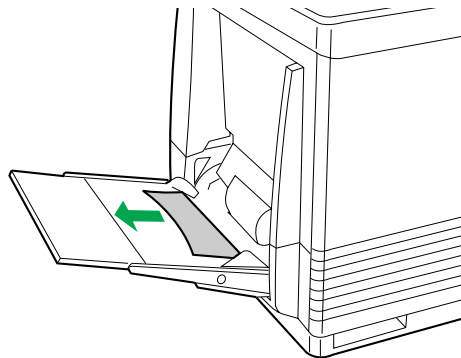
- 2 Remove the jammed media from inside the printer.



- 3 Reinsert the media tray.
- 4 Open and close the front door to clear the error message from the LCD.

To clear media jams in location B with multi-purpose tray:

- 1 Remove the jammed media from the multi-purpose tray.



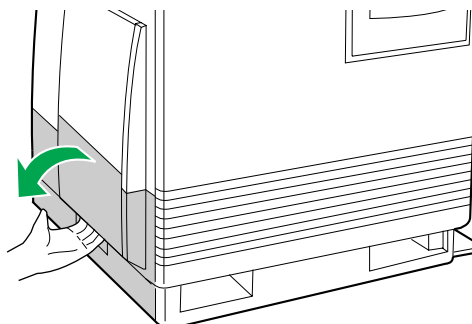
- 2 Open and close the front door to clear the error message from the front panel.

NOTE:

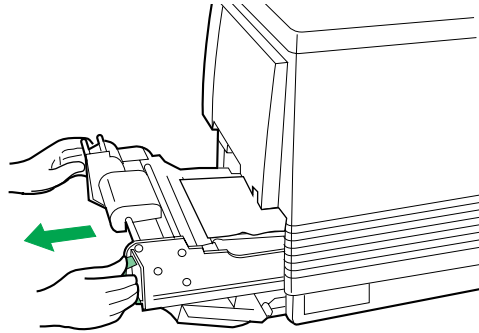
- A few sheets of paper printed after clearing media jam may be dirty.

To clear media jams in location B with media tray:

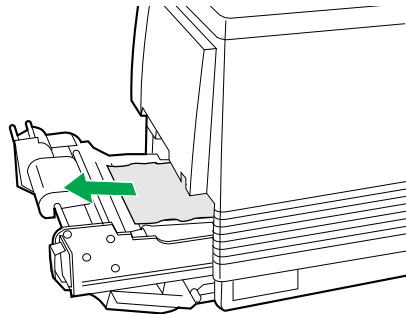
- 1 Open the left side door.



- 2** Use the green handles to pull out the paper feeder.



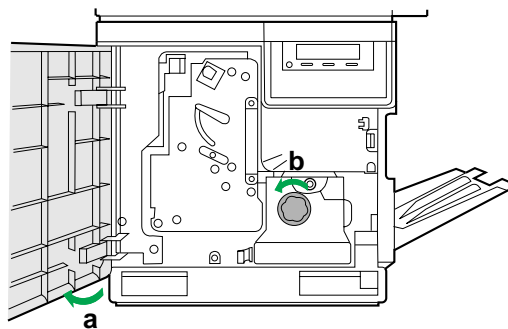
- 3** Remove the jammed media on the paper feeder.



- 4** Reinsert the paper feeder and close the left side door.

To clear media jams in location C:

- 1**
- a) Open the printer front door.
 - b) Turn the fuser's large green knob counterclockwise and remove the jammed media.
The jammed media will go out from inside the printer.
If the jammed media does not go out, proceed to the step 4.

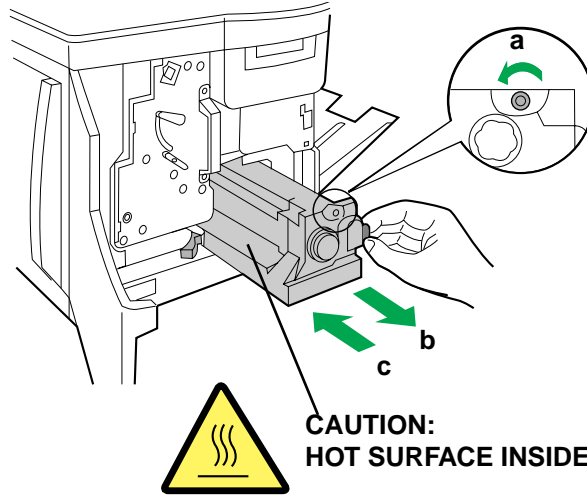


SAFETY CAUTION:



- The fuser is hot; to avoid personal injury, turn off the printer and wait 10 minutes (after opening the front door) for the fuser to cool before touching it.

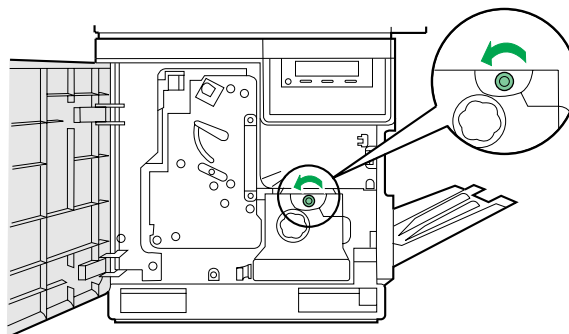
- 2** Clear the error message from the LCD.
- a) Turn the small green thumbscrew counterclockwise to unlock the fuser.
 - b) Holding the green tab on the right, slide the fuser out until the safety catch stops it.
 - c) Slide the fuser back into the printer.



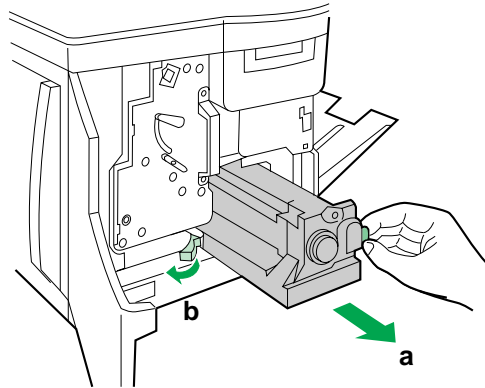
- 3** Turn the small green thumbscrew clockwise to lock the fuser.

You do not need to proceed to the following steps, if a media jam is cleared.

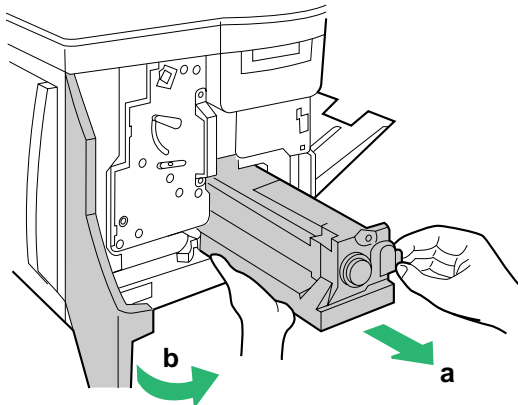
- 4** Turn the small green thumbscrew counterclockwise to unlock the fuser.



- 5**
- a) Holding the green tab on the right, slide the fuser out until the safety catch stops it.
 - b) Press the green lever on the left to release the safety catch.



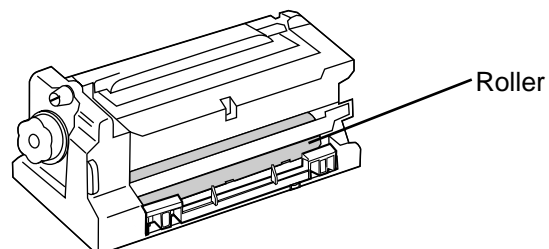
- 6**
- a) Hold the fuser as shown below, and slide it out of the printer.
 - b) Close the front door.



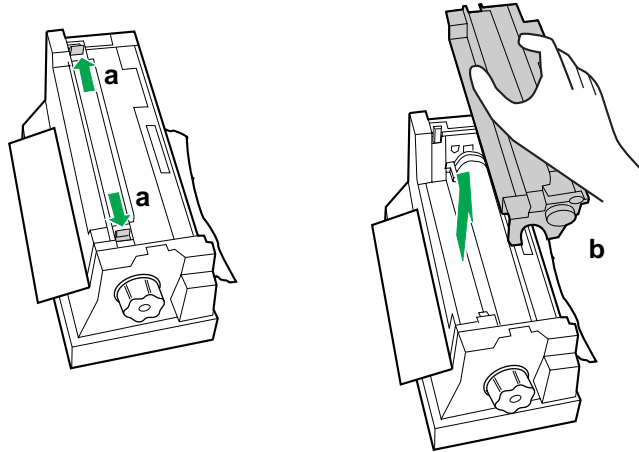
SAFETY CAUTIONS:



- The fuser unit weighs approximately 3.1 kg {6.8 lbs.}. Take care when handling it.
- Do not touch the roller and the parts around the roller when handling the fuser, because they may be hot.



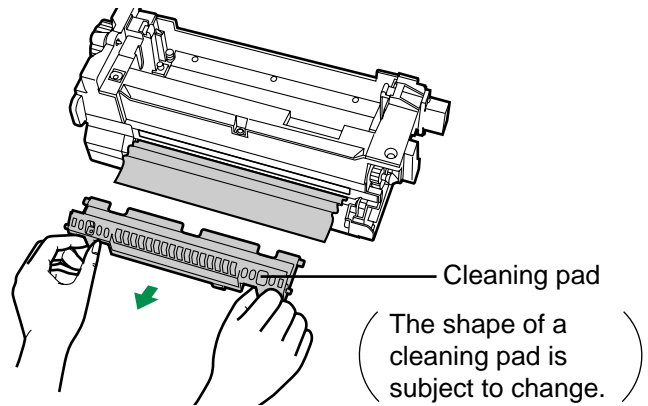
- 7** Remove the oil supply roll.
- a) Press out on tabs to unlock the oil supply roll.
 - b) Remove the oil supply roll out of the fuser.



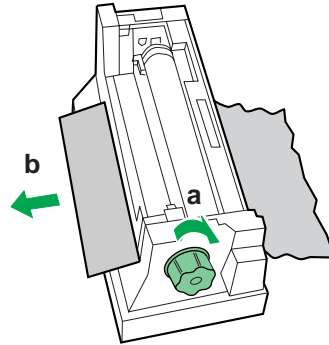
NOTE:

- If the paper is not jammed in the fuser unit, perform the following.
 1. Repeat steps 1 to 4 of the procedure on [page 156-157](#).
 2. Skip the steps 8 to 10 and go to step 11.

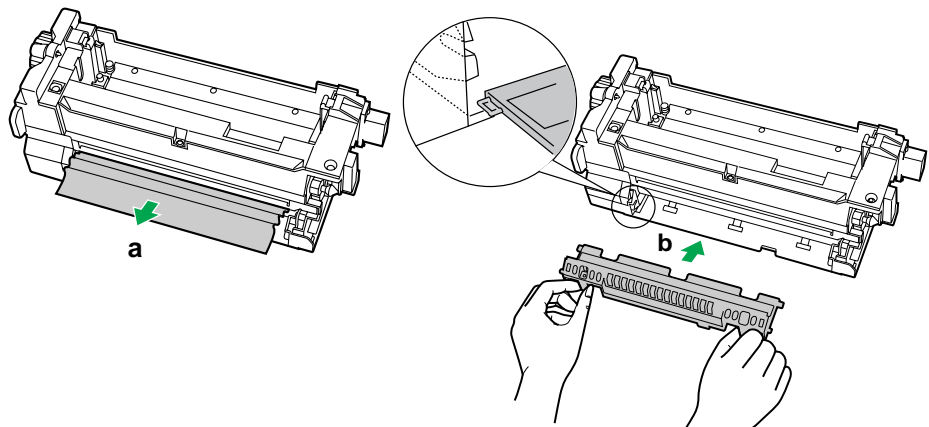
- 8** Remove the cleaning pad, holding the tabs.



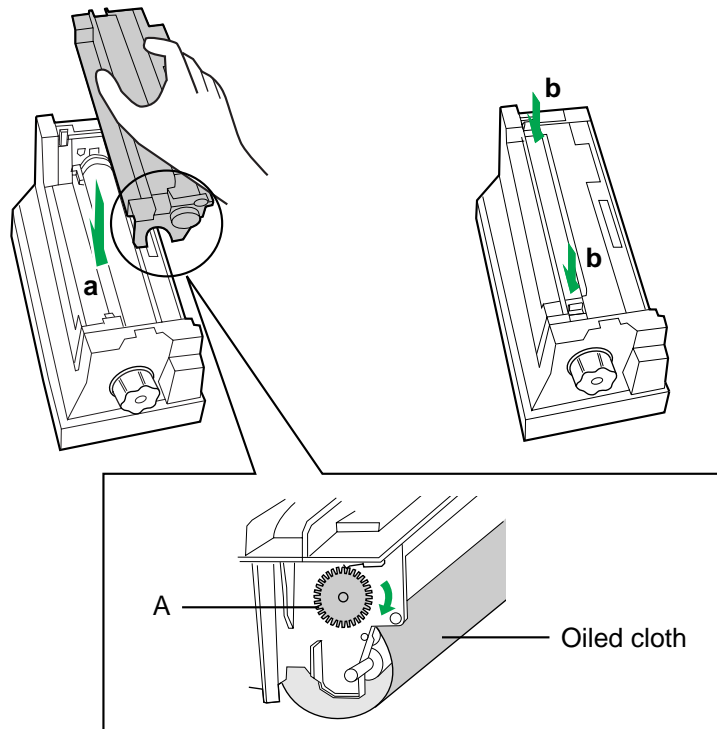
- 9** a) Turn the fuser's large green knob clockwise.
b) Remove the jammed media.



- 10** a) Remove the jammed media.
b) Replace the cleaning pad.



- 11** a) Replace the oil supply roll into the fuser.
b) Press down firmly on the oil supply roll to snap both sides into place.



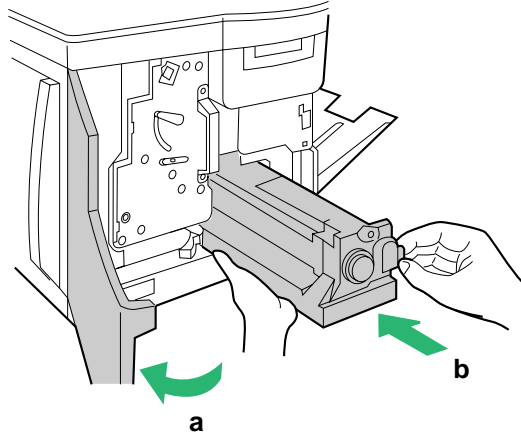
NOTE:

- If the oiled cloth is loose, rotate the gear (A) clockwise until it is tight. Do not touch the oiled cloth.

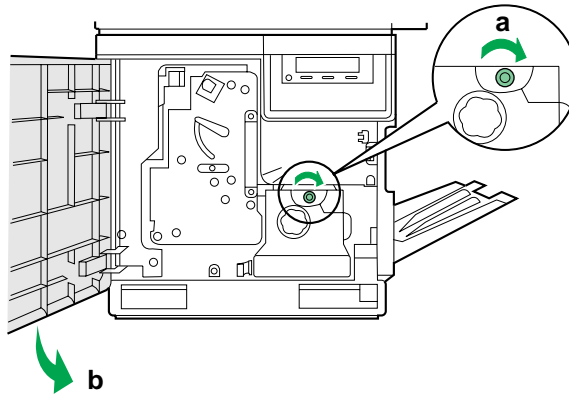
CAUTION:

- If the oil supply roll is not installed correctly, print quality will be diminished.

- 12** a) Open the front door.
b) Slide the fuser back into the printer.



- 13** a) Turn the small green thumbscrew clockwise to lock the fuser.
b) Close the front door.



To clear media jams in location D with face down printing:



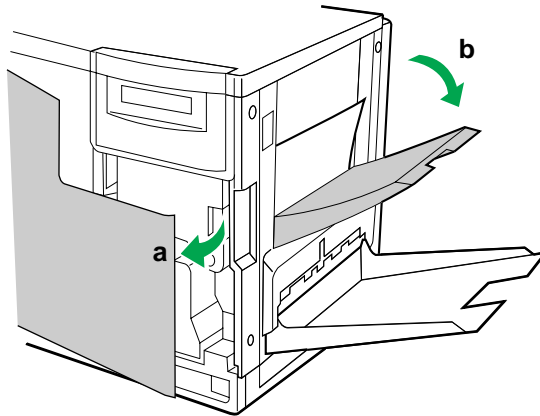
SAFETY CAUTION:

- The fuser is hot; to avoid personal injury, turn off the printer and wait 10 minutes (after opening the front door) for the fuser to cool before touching it.

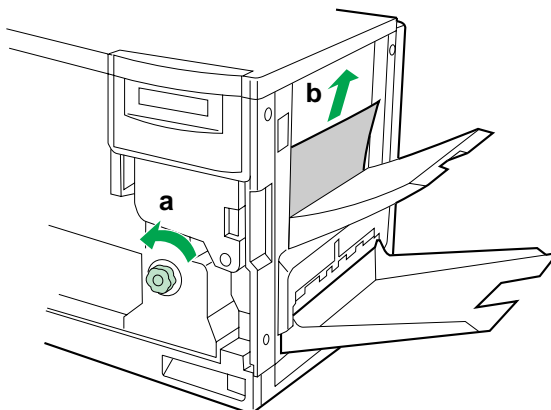
NOTE:

- First check the exit opening for media that has jammed and folded like an accordion. It is especially difficult to see if the media is transparency film.

- 1**
 - a) Open the front door.
 - b) Pull open the access door (above the plastic output tray); see if the media is visible.



- 2**
 - a) Turn the large green knob on the fuser counterclockwise.
 - b) Remove the media from inside the access door.



CAUTION:

- If the fuser knob will not turn, do not force it, or you may damage the fuser. Instead, follow these steps:
 - a) Unlock the fuser by turning the small green thumbscrew counterclockwise.
 - b) Pull the fuser out. The media will probably tear.
 - c) Remove the oil supply roll.
 - d) Turn the fuser's large green knob to release the jammed media.
 - e) Remove the jammed media from the fuser and the printer.

SAFETY CAUTION:



- The fuser is hot; to avoid personal injury, turn off the printer and wait 10 minutes for the fuser to cool before touching it.

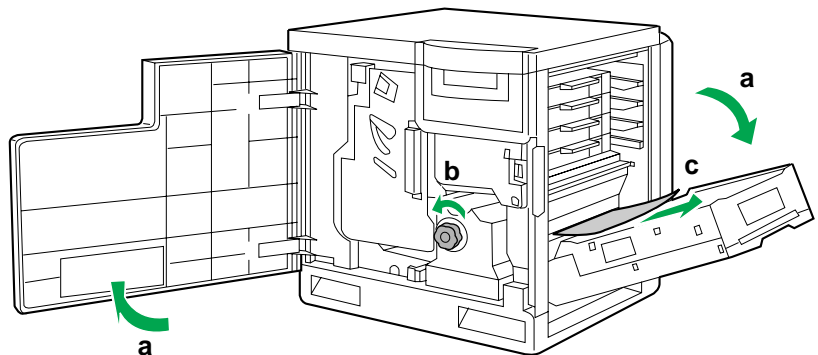
3

Close the front door.

To clear media jams in location D with face up printing:

1

- a) Open the front door and the right side door.
- b) Turn the fuser's large green knob counterclockwise to release the jammed media.
- c) Remove the jammed media from the right side of the printer.

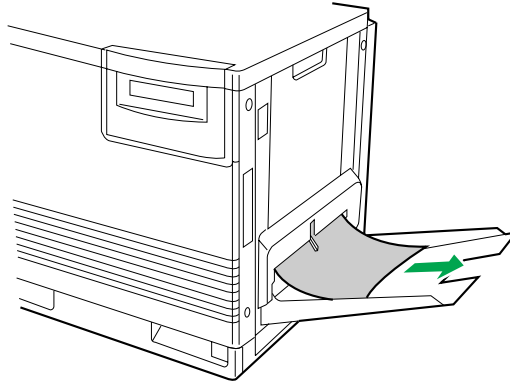


2

Close the front door and the right side door.

To clear media jams in location E:

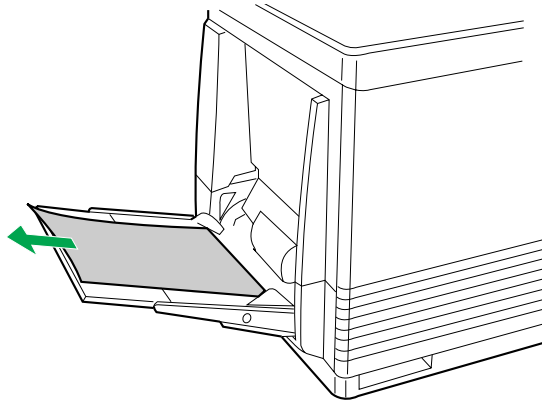
- 1** Remove the jammed media from the output tray.



- 2** Open and close the front door to clear the error message from the front panel.

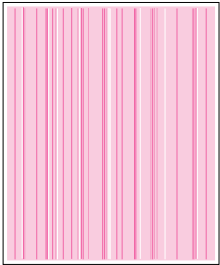
To clear jams with the multi-purpose tray:

- 1** Remove the jammed media from the multi-purpose tray.


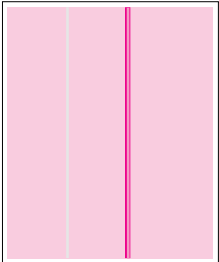
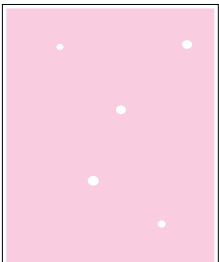


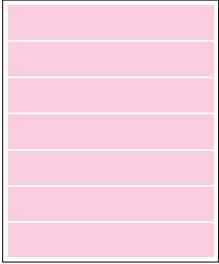
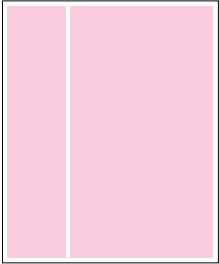
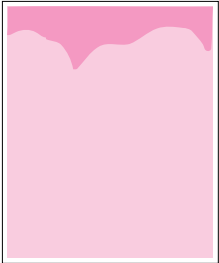
- 2** Open and close the front door to clear the error message from the front panel.

Troubleshooting

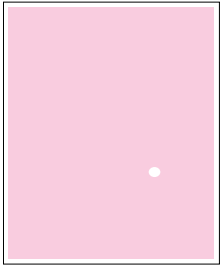
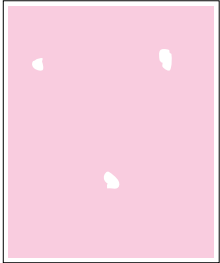
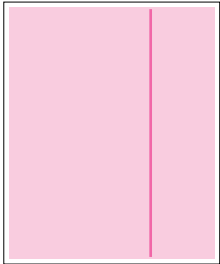
Trouble	Possible Cause	Corrective Action
Ready indicator is blinking.	The printer is receiving, processing or printing job.	Wait for the job to be completed or cancel the job.
	You have entered the Menu mode in the printer panel.	Exit the Menu mode by pressing the Menu/Exit button.
	The printer is networked and WebTools are being accessed.	Wait for the job to be completed.
Ready indicator is off.	The printer is not ready, is disabled, or has detected an error.	Read the printer panel message to determine the printer status.
Error indicator is on.	Error occurred that is not user-correctable.	Turn the printer off and back on again. If the indicator is still on, the printer requires service.
Error indicator is blinking.	The printer has stopped because it detected a user-correctable error such as an open door or a media jam.	Correct the condition displayed on the printer panel (e.g., close the door or clear the media jam).
<p>A single color is not uniform or many vertical streaks (both light and dark) of slightly different density and non-uniform color.</p> 	The toner is almost depleted.	Replace the color toner cartridge.

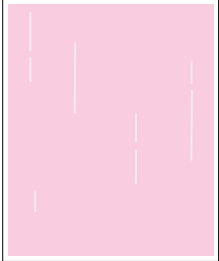
Care and Maintenance

Trouble	Possible Cause	Corrective Action
<p>Half tone area has areas of weak color.</p> 	<p>Paper doesn't match the environmental conditions, or it has too much moisture.</p>	<p>Try fresh paper, or another type of paper.</p> <p>Store media in the original, dust-free package in the same environmental conditions as the printer.</p>
<p>A single color appears faded.</p>	<p>The color density is set incorrectly in the printer panel.</p>	<p>See "Chapter 7 Color Calibration".</p>
	<p>The toner is almost depleted.</p>	<p>Replace the color toner cartridge soon (depending on the complexity of your prints, you can continue to print up to 100 more pages).</p>
<p>A single color has a sharp, dark or light vertical streak.</p> 	<p>The toner cartridge is almost depleted and is not properly applying toner.</p>	<p>Replace the color toner cartridge.</p>
<p>Small white spots appear on OHP transparency.</p> 	<p>OHP transparency has dust on its surface.</p>	<p>Remove dust or stain from OHP transparency.</p>

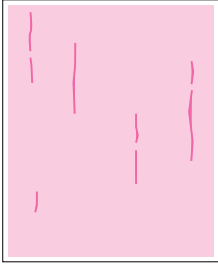

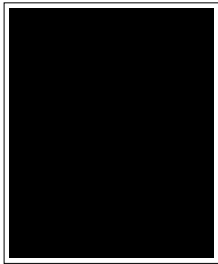
Trouble	Possible Cause	Corrective Action
<p>A single color shows a light, repeating horizontal line.</p> 	<p>The roller in the toner cartridge has a slight impression after a long period of storage.</p>	<p>Run 20-30 prints. The impression will disappear with continued time and use.</p>
<p>Prints are missing fine-line detail.</p>	<p>The color imaging unit has reached its useful life.</p>	<p>Replace the color imaging unit.</p>
<p>Dark color spots and dark or light streaks appear in all colors.</p>	<p>The color imaging unit has reached its useful life.</p>	<p>Replace the color imaging unit.</p>
<p>Straight, thin light vertical line in colors.</p> 	<p>The photosensitive belt inside the color imaging unit is scratched.</p>	<p>Replace the color imaging unit.</p>
<p>Each color “bleeds” into the color band.</p> 	<p>The color imaging unit’s internal waste toner box is full.</p>	<p>Replace the color imaging unit.</p>

Care and Maintenance

Trouble	Possible Cause	Corrective Action
<p>A single white spot appears in approximately the same vertical place on the page.</p> 	<p>The color imaging unit is damaged.</p>	<p>Replace the color imaging unit.</p>
<p>Large light spot(s) appear randomly.</p> 	<p>Fingerprint(s) on the underside belt or photosensitive belt (inside) of the color imaging unit.</p>	<p>Print several pages until the spots fade.</p>
<p>One or more dark vertical lines appear on the print in all colors.</p> 	<p>The color imaging unit is scratched.</p>	<p>Replace the color imaging unit; make sure that the old color imaging unit is not exposed to light for more than 45 seconds. If a new color imaging unit does not correct the problem:</p> <ul style="list-style-type: none"> • Put the old color imaging unit back into the printer. • Repack the new color imaging unit.
	<p>The fuser is damaged.</p>	<p>Replace the fuser.</p>

Trouble	Possible Cause	Corrective Action
<p>A piece of the printed image is missing and reappears out of place, approximately 129 mm (5") down the page.</p>	<p>The fuser's internal roller is not being consistently oiled or the fuser's internal roller is contaminated with toner particles.</p>	<p>Print 5-10 pages of blank pages to clean the roller. If you still see the problem:</p> <ul style="list-style-type: none"> • Replace the oil supply roll. <p>If you still see the problem:</p> <ul style="list-style-type: none"> • Replace the fuser.
<p>The surface of the printed image appears to have vertical scratches (visible by holding the print at an angle and observing the "shine" of the image). At first, the scratches appear only on the printed image; eventually, dark vertical scratches appear on the imprinted portion of the page.</p>	<p>The fuser is near its useful life.</p>	<p>Replace the fuser (depending on your quality needs, you can continue to print until the dark vertical lines appear).</p>
<p>Media frequently wraps around the fuser.</p>	<p>The oil supply roll has reached its useful life.</p>	<p>Replace the oil supply roll.</p>
<p>Light vertical streaks appear in all colors.</p> 	<p>The main charge grid is dirty.</p>	<p>Replace the color imaging unit.</p>

Care and Maintenance

Trouble	Possible Cause	Corrective Action
<p>Dark and wavy vertical streaks appear in all colors.</p> 	<p>The main charge grid is dirty.</p>	<p>Replace the color imaging unit.</p>
<p>The entire page prints in black, including the borders.</p> 	<p>Bad electrical contact for the main charge grid.</p>	<p>Reinsert the color imaging unit to correct the contact for the main charge grid.</p>
	<p>The main charge grid is broken.</p>	<p>Replace the color imaging unit.</p>
<p>Toner spots appear on the back of the media.</p>	<p>The transfer unit is worn out.</p>	<p>Replace the transfer unit.</p>
<p>The page prints in black in the image area only. (The borders are clear.)</p> 	<p>Either the image processor board or engine control board is not functioning properly.</p>	<p>Turn the printer off and back on again. If the problem persists, call for service on your printer.</p>

Trouble	Possible Cause	Corrective Action
<p>The page is completely blank.</p> <div style="border: 1px solid black; width: 100px; height: 100px; margin: 10px auto;"></div>	<p>The problem could be with one of the following:</p> <ul style="list-style-type: none"> • Engine control board. • Developer voltage. • Laser scanning unit mirror. 	<p>Turn the printer off and back on again. If the problem persists, call for service on your printer.</p>
<p>Service Error is displayed on the LCD.</p>	<p>An error occurred that is not user-correctable.</p>	<p>Turn the printer off and back on again. If the error persists, call for service.</p>

If you can't make a print:

Trouble	Corrective Action
<p>Printer not operating.</p>	<p>Make sure that you plugged in the printer and turned it on.</p>
	<p>Make sure that you connected the interface cable(s) properly.</p>
<p>More info to come for these messages.</p>	<p>If the communication link between your computer and the printer is working but the printer ejects a blank page when printing from your application or through Windows. Make sure that the appropriate driver is installed and that you have selected the printer correctly.</p>

Trouble	Possible Cause	Corrective Action
<p>The setting for printing is not effective.</p>	<p>Some applications may not allow you to change the settings through the KX-P8420 printer driver's setting window.</p>	<p>Change the application's settings.</p>

Media problem

Trouble	Corrective Action
Frequent paper-picking errors.	Fan the paper or transparencies before installing them in their respective trays; this is especially important for transparencies because they tend to stick together.
	Make sure that you have loaded paper in the paper tray and transparencies in the transparency tray.
	Make sure that the media is installed under the hooks at the front of the media tray.
	If printing on transparencies and your printer has a 2nd Cassette Feeder, make sure that the transparency tray is installed in the upper or middle tray slot.
	Clean the paper-pick rollers. (See page 144 for directions.)
Frequent media jams.	Make sure that you use a high-quality laser paper: 60–105 g/m ² (16–28 lbs.) paper in the media trays and 75–165 g/m ² (20–44 lbs.) paper in the multi-purpose tray.
	If you are using media that is 105 g/m ² (28 lbs.), check if the Face Down media output setting is selected in the driver. If it is, change the setting to Face Up.
	Use only recommended transparencies. (See page 209 .) We cannot guarantee the results of other transparencies.
	Make sure that the media is installed under the hooks at the front of the media tray.
	Do not overfill the media tray, as indicated by the red line on the right side of the tray.
	Clean the paper-pick rollers. (See page 144 for directions.)
	Make sure that the media thickness switch is set correctly for the installed media. (See page 39 .)

Problems with image size and position

Trouble	Corrective Action
Off-set images.	Check your application for correct image sizing.
Cut-off images.	Check your application for image sizing.
	Make sure that the correct size media is in the media tray.

Print quality problems

Trouble	Corrective Action
Prints have dull, faded colors.	Adjust or calibrate colors. See “ Chapter 7 Color Calibration ”.
	Make sure that the color imaging unit stays covered until immediately before installing it in the printer. Exposure to light for more than 45 seconds can damage the color imaging unit.
	Make sure that the toner cartridges are installed correctly.
	Make sure that you use a high-quality laser paper: 60–105 g/m ² (16-28 lbs.) paper in the media trays and 75–165 g/m ² (20–44 lbs.) paper in the multi-purpose tray.
Image is very faded or pieces of the image are missing; toner on the page is loose.	When using the multi-purpose tray, make sure that you have selected the correct media type in the driver or in the Menu mode of the printer panel.

Care and Maintenance

Trouble	Corrective Action
Streaks or spots	<p>Most spots are caused by fingerprints or dust introduced into the printer while installing the color imaging unit or loading media.</p> <p>Make sure that the surface where you unpack the color imaging unit, paper, and transparencies is free of dust. Keep supplies in a covered area or a closed box.</p>
	<p>Make sure that the color imaging unit stays covered until immediately before installing it in the printer. Exposure to light can damage the color imaging unit and will produce light streaks or faded prints.</p>
	<p>Do not touch the right side or underside of the color imaging unit; fingerprints affect print quality.</p>
	<p>Make sure that the paper or transparency film is clean.</p>
	<p>Make sure that you handle the media on the outside edges to avoid fingerprints.</p>
	<p>To get rid of fingerprint spots, print a few prints.</p>
The back of the printed page appears dirty.	<p>Toner particles have contaminated the transfer roller. This can happen if the printed image is larger than the media (for example, when printing on envelopes). Run 10-20 prints to clean the transfer roller.</p>
The print quality of a transparency is poor.	<p>There is a defect on the coated surface of the transparency. Print on the other side.</p>

Front Panel Messages

When an error interferes with printing, you will see a message on the front panel. The following table lists the messages in alphabetical order, with the appropriate corrective action for each one.

NOTE:

- If the message indicates that you don't have enough memory to finish printing, you may need to install additional memory to handle your workload. See "Installing additional memory" on [page 199](#).

Front panel status and error messages

The following status messages cause the Ready indicator to blink. Printing will continue when corrective action (if required) is taken, and the Ready indicator is lit.

Message	Corrective action/additional information
%s%s.%s Error DIMM Slot %s	Cycle Power. If printer does not function normally, call for service.
Black Toner Cartridge Not installed	Install black toner cartridge.
Black Toner Empty	Replace black toner.
Canceling Job	When the Cancel/Left button is pressed, the job currently being processed is deleted.
Cannot recover from JAM Press Enter	Semi Automatic duplex is aborted by jam.
Charger Not installed	Install the charger unit.
Controller Memory Error Cycle Power	Cycle Power. If printer does not function normally, call for service.
Cyan Toner Cartridge Not installed	Install cyan toner cartridge.
Cyan Toner Empty	Replace cyan toner.
DC Controller Malfunction	Cycle Power. If the printer does not function normally, call for service.
Disk File Operation Failed	Hard disk is functioning abnormally. Cycle Power. If printer does not function normally, call for service.

Care and Maintenance

Message	Corrective action/additional information
Disk Is Full	Erase or replace the printer's hard disk. Execute the Reset Queues menu from the printer's front panel. See "Reset Queues" on page 111 .
Disk Device Failure	Cycle Power. If printer does not function normally, call for service.
Error %s Cycle Power	Unrecoverable error happened. Turn off the printer.
Engine Interface Error Cycle Power	Cycle Power. If printer does not function normally, call for service.
Flash Device Failure	Flash DIMM hardware error. Cycle Power. If printer does not function normally, call for service.
Flash File Operation Failed	Hard disk is functioning abnormally. Cycle Power. If printer does not function normally, call for service.
Front or Right door Open	Close Front or Right door.
Fuser Unit wearing out	Fuser unit will need to be replaced soon.
Fuser Unit Not installed	Install a Panasonic fuser unit.
Fuser Unit Worn out	Replace the fuser unit.
Imaging Unit wearing out	Imaging unit will need to be replaced soon.
Imaging Unit No tension	Set the upper lever of the imaging unit to "Lock".
Imaging Unit Not installed	Install imaging unit.
Imaging Unit Worn out	Replace the imaging unit.
Initializing	Printer is initializing.
Insert printed pages in MP tray, press Continue	Insert printed pages into multi-purpose (MP) tray, then press the Continue/Forward button.

Message	Corrective action/additional information
Insufficient Memory	Not enough memory to finish printing. Change printing resolution to 600 x 600 dpi if you selected higher resolution. or Install additional memory in the printer.
Jam at A See front door label	Clear paper jam. See front door label. (See page 154.)
Jam at B See front door label	Clear paper jam. See front door label. (See page 156.)
Jam at C See front door label	Clear paper jam. See front door label. (See page 157.)
Jam at D See front door label	Clear paper jam. See front door label. (See page 164.)
Jam at E See front door label	Clear paper jam. See front door label. (See page 166.)
Jam at MPT	Clear paper jam. See front door label. (See page 166.)
Left side door Open	Close Standard Cassette side door.
Load A4	Load A4 size paper.
Load A4 in Lower tray	Load A4 size paper in Lower tray.
Load A4 in Middle tray	Load A4 size paper in Middle tray.
Load A4 in Upper tray	Load A4 size paper in Upper tray.
Load Legal	Load legal size paper.
Load Legal in Lower tray	Load legal size paper in Lower tray.
Load Legal in Middle tray	Load legal size paper in Middle tray.
Load Legal in Upper tray	Load legal size paper in Upper tray.
Load Letter	Load letter size paper.
Load Letter in Lower tray	Load letter size paper in Lower tray.

Care and Maintenance

Message	Corrective action/additional information
Load Letter in Middle tray	Load letter size paper in Middle tray.
Load Letter in Upper tray	Load letter size paper in Upper tray.
Low Black Toner	Black toner will need to be replaced soon.
Low Cyan Toner	Cyan toner will need to be replaced soon.
Low Magenta Toner	Magenta toner will need to be replaced soon.
Low Yellow Toner	Yellow toner will need to be replaced soon.
Lower Left side door Open	Close Optional Cassette side door.
Lower Tray Empty	Add media to Lower tray.
Lower Tray Not installed	Install Lower tray.
Magenta Toner Cartridge Not installed	Install magenta toner cartridge.
Magenta Toner Empty	Replace magenta toner.
Media Tray Empty	Add media to Media tray.
Media Tray Not installed	Install Media tray.
Memory Error 0	Cycle Power.
Memory Error 1	Cycle Power.
Memory Error 2	Cycle Power.
Memory Error 3	Cycle Power.
Memory Error 4	Cycle Power.
Memory Error 5	Cycle Power.
Memory Error 6	Cycle Power.
Memory Error 7	Cycle Power.
Memory Error 8	Cycle Power.

Message	Corrective action/additional information
Memory Shortage Page Simplified	Not enough memory to finish printing. Change printing resolution to 600 x 600 dpi if you selected higher resolution. or Install additional memory in the printer.
Middle Tray Empty	Add media to Middle tray.
Middle Tray Not installed	Install Middle tray.
Multi-Purpose Tray Empty	Add media to multi-purpose tray.
NVRAM Error Settings Changed	NVRAM hardware error. Cycle Power. If printer does not function normally, call for service.
NVRAM Full Settings Lost	Hardware error of Flash DIMM. Cycle Power. If printer does not function normally, call for service.
Oil Roll Not installed	Install oil web unit.
Oil Roll wearing out	Oil supply roll will need to be replaced soon.
Oil Roll Worn out	Replace the oil web unit.
Out of Memory Job Cleared	Not enough memory to finish printing. Change printing resolution to 600 x 600 dpi if you selected higher resolution. or Install additional memory in the printer.
Out of Memory Job Failed	Not enough memory to finish printing. Change printing resolution to 600 x 600 dpi if you selected higher resolution. or Install additional memory in the printer.
Output Tray Full	Remove media from Output tray.
Page Too complex	Not enough memory to finish printing. Change printing resolution to 600 x 600 dpi if you selected higher resolution. or Install additional memory in the printer.

Care and Maintenance

Message	Corrective action/additional information
Paper Feeder Not installed	Install paper feeder.
Parallel I/O Buffer Overflow	Not enough memory to finish printing.
PJL Operations Failed	Error in PJL code. Resend print job to the printer.
Press Enter to Initialize Disk	Press the Enter button to initialize a new hard disk. This message will also appear if the hard disk has malfunctioned, or if the hard disk is the incorrect type. If this error appears after cycling power to the printer, contact an authorized service representative.
Printing Configuration	Printer is printing the Configuration page.
Printing Font List	Printer is printing the Font List page.
Printing Test Page	Printer is printing the Test Page.
Processing	Printer is receiving or processing a print job.
PS Memory Full	Not enough memory to finish printing. Change printing resolution to 600 x 600 dpi if you selected higher resolution. or Install additional memory in the printer.
PS Memory Full Stored Data Lost	Not enough memory to finish printing. Change printing resolution to 600 x 600 dpi if you selected higher resolution. or Install additional memory in the printer.
RAM Test Failure Cycle Power	Cycle Power. If printer does not function normally, call for service.
Scan Buffer Error Cycle Power	Cycle Power. If printer does not function normally, call for service.
Service (%s) Cycle Power	Firmware error. Contact an authorized service representative.
TEST FAILED UP/DOWN CANCEL	Initial hardware test failed. Call for service.

Message	Corrective action/additional information
Transfer wearing out	Transfer unit will need to be replaced soon.
Transparency Tray Not installed	Install transparency tray.
Upper Left side door Open	Close Left side door.
Upper Tray Empty	Add media to Upper tray.
Upper Tray Not installed	Install Upper tray.
Warming Up	Printer is warming up.
Yellow Toner Cartridge Not installed	Install yellow toner cartridge.
Yellow Toner Empty	Replace yellow toner.

Front panel service calls

Some operation errors cause the error indicator to blink and printing to stop. A message will be displayed on the front panel until the problem is fixed. If the front panel message includes the instruction, Call for Service, contact an authorized service representative.

In addition, if the following conditions occur, turn off and unplug the printer from the outlet and contact a qualified service representative:

- The power cord or plug is damaged or frayed.
- Liquid has been spilled into the printer.
- The printer has been exposed to rain or water.
- The printer does not operate normally though the operating instructions are being followed. Adjust only those controls that are described in the operating instructions; improper adjustment of other controls may result in damage and will often require extensive work to restore the printer to normal operation.

Repacking

It is highly recommended that you keep the original carton and ALL packing materials. Should you need to transport or ship your printer, please follow these instructions.



SAFETY CAUTION:

- The printer weighs about 48.2 kg {106.2 lbs.}. It must be handled by two people.

NOTES:

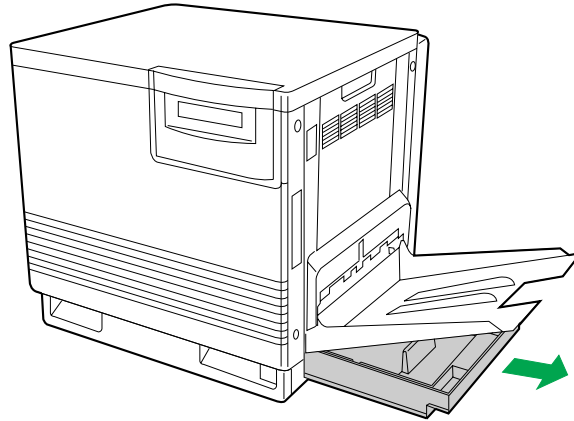
- Should you need to send your printer for service, consult your reseller first or Panasonic.
- Please use the original carton and all of the original packing materials.
- If you do not have the packing for the imaging unit and the transfer unit: contact Panasonic for packaging.
- Improper repacking of the printer may result in a service charge to remove spilled toner.
- Since the printer uses dry toner, extreme care must be taken when handling. The printer should be handled in the upright (vertical) position.

Material required:

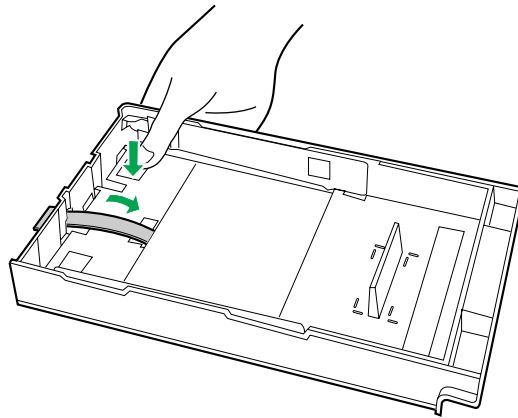
- Original cartons and packing materials
- Newspaper or drop cloth
- Shipping tape and scissors

To prepare the printer for repacking:

- 1** Turn off the printer; remove the power cord and all interface cables.
- 2** Remove the media tray(s) from the printer; remove the media from the tray(s).

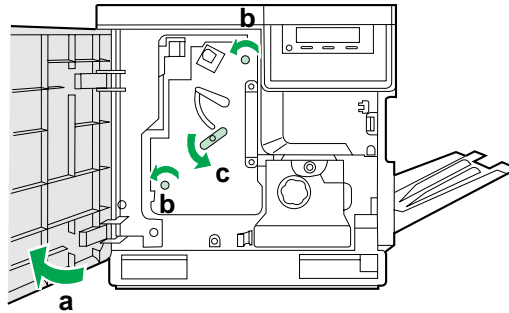


- 3** Press down on a media tray's metal plate. Place the cardboard packing material into the media tray.



- 4** Reinsert the media tray into the printer; use adhesive tape to secure the tray to the printer.
- 5** If you have other media trays, repack them for shipping or storage in their original shipping boxes.

- 6**
- Open the printer's front door.
 - Loosen the two thumbscrews by turning them counterclockwise.
 - Turn the lower green lever 180° counterclockwise.



- 7**
- Grasping the front green handle, slide the unit out until it catches.
 - Lift up the green handle on the left and pull the imaging unit out of the printer.

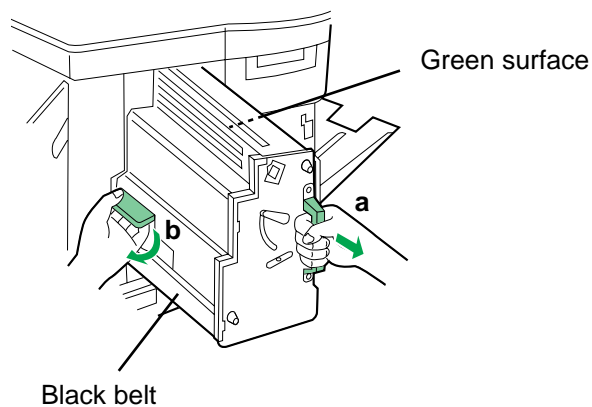
IMPORTANT:

- Do not touch the green surface (the right side) or the black belt (the under side). Finger prints may affect the print quality.

SAFETY CAUTION:



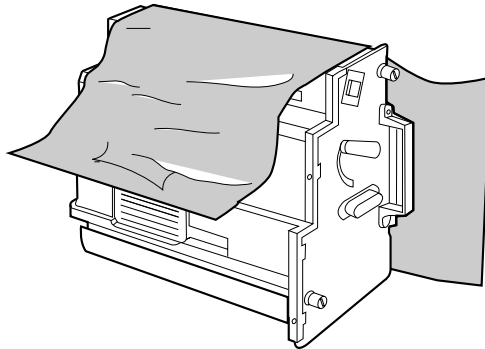
- The imaging unit weighs approximately 6.5 kg {14.3 lbs.}. Always use the handles when lifting it.



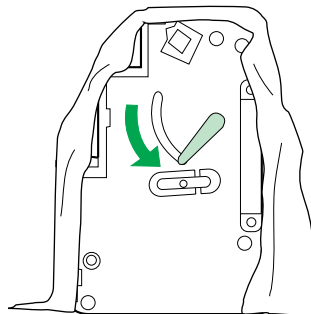
- 8** Wrap the imaging unit with a protective black plastic sheet.

CAUTION:

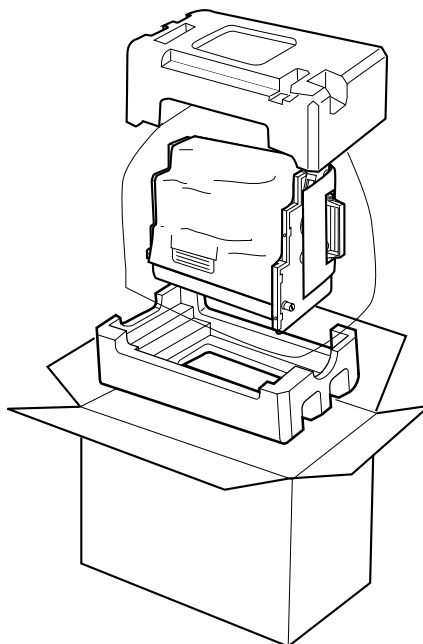
- Do not expose the imaging unit to light for more than 45 seconds to avoid damage.



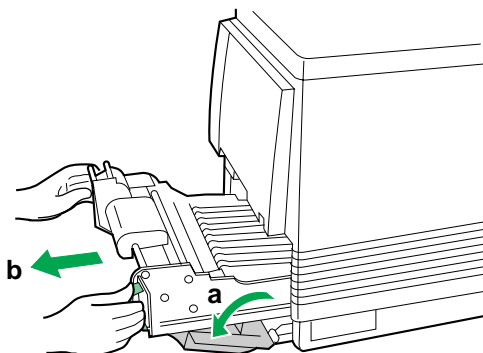
- 9** On the imaging unit, turn the upper lever 90° counterclockwise; this is necessary to protect the imaging unit during shipment.



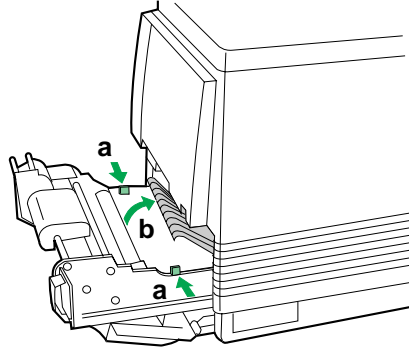
10 Insert the imaging unit into the packaging.



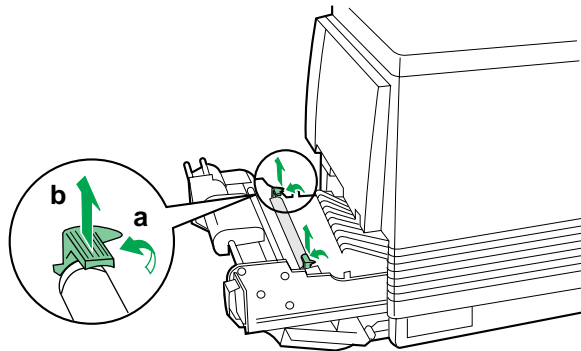
11 a) Open the left side door.
b) Slide the paper feeder out, using the green handles.



- 12** a) Push in on green tabs to unlock the cover.
b) Raise the cover until it catches in the open position.



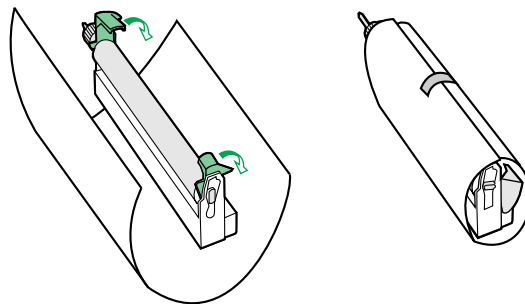
- 13** a) Rotate the transfer unit's green handles up.
b) Lift out the transfer unit.



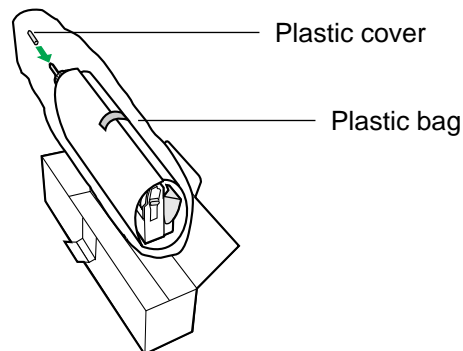
- 14** Place the transfer unit on newspaper or drop cloth.
Rotate the handles down and wrap the transfer unit with a piece of paper and adhesive tape.

NOTE:

- Do not touch or bump the roller: it can damage the roller.

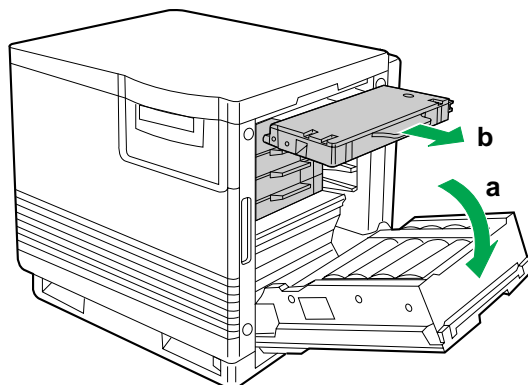


- 15** Install the plastic cover and insert the transfer unit into a plastic bag and seal the end tightly. Install the transfer unit into the packaging.



To pack the toner cartridges:

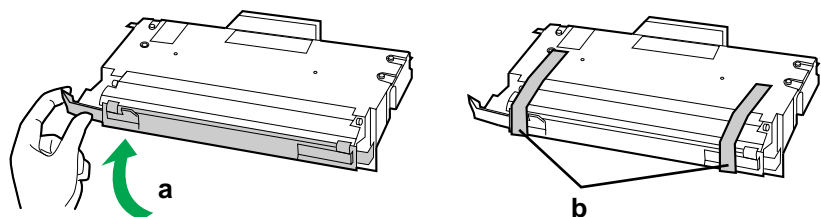
- 1** a) Open the right side door.
b) Remove a toner cartridge.



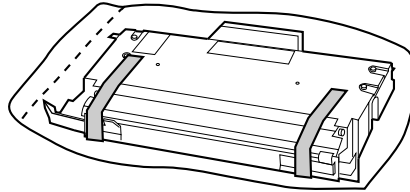
CAUTION:

- To avoid possible toner spillage, do not tilt the cartridge.

- 2** a) Replace the shipping cover.
b) Secure the shipping cover with adhesive tape.



- 3** Insert each toner cartridge into a plastic bag and seal the end of the bag tightly.



- 4** Repeat steps 1 (b) through 3 for each toner cartridge.

To finish repacking the printer:

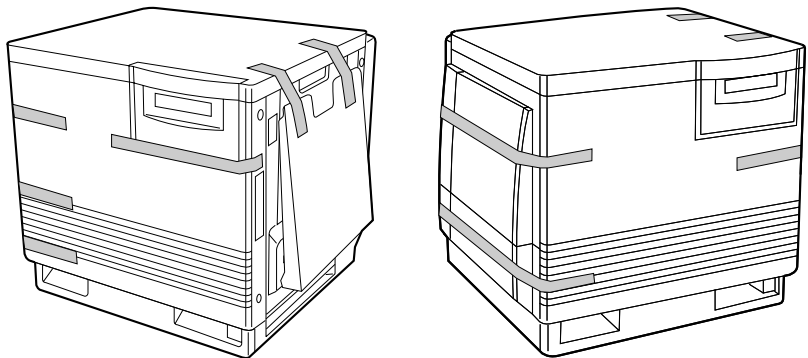
- 1** Wipe off any loose toner in and around the printer.

NOTE:

- If a toner vacuum is available, it is the best tool for cleaning spilled toner. Do not use a standard office vacuum; the toner will not be retained by typical vacuum dust collectors.

- 2** Raise the output tray and secure it to the printer with adhesive tape.

- 3** Secure the front door, the multi-purpose tray and the left side door to the printer with adhesive tape.



If you don't have a 2nd Cassette Feeder, go to [step 6](#) on next page.

Care and Maintenance

- 4** If you have a 2nd Cassette Feeder, lift the printer up and away from the 2nd Cassette Feeder.

SAFETY CAUTION:

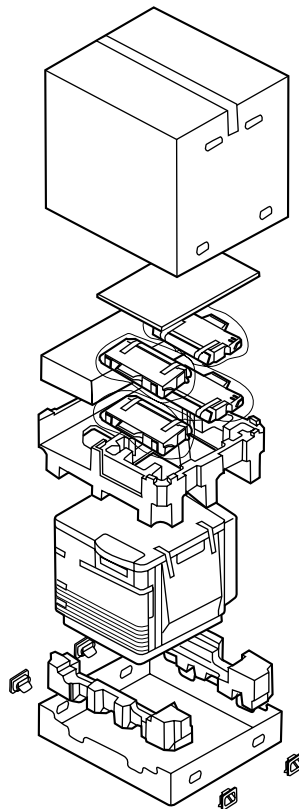


- The printer weighs approximately 41.7 kg {91.9 lbs.} and the 2nd Cassette Feeder weighs approximately 14.3 kg {31.5 lbs.}. Observe standard precautions for lifting heavy objects.

- 5** Repack the 2nd Cassette Feeder in its original shipping box.

- 6** Repack any other accessories in their original shipping boxes.

- 7** Repack the printer in the original shipping box. Make sure that you keep the printer upright and level when moving.



Upgrade options

The following upgrade options and consumables are available for the KX-P8420 Color Printer from your local Panasonic reseller:

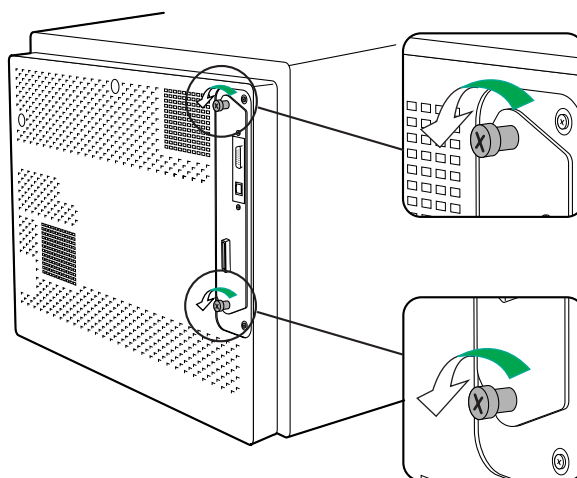
- Hard Disk Drive (KX-PDHD1) for storing print jobs, and additional fonts (page 196)
- 16 MB (KX-PEMD1) or 32 MB (KX-PEMD2) SDRAM DIMMs (page 199)
Two DIMM slots for additional memory are available on the printer controller board. Each slot can support a 16 MB or 32 MB SDRAM DIMM.
- Ethernet (KX-PNBC5) or Token Ring (KX-PNBC6) network card (page 202)

You must remove the printer controller board from the back of the KX-P8420 in order to install or replace the hard disk, add or replace memory, or install a Token Ring or Ethernet network card.

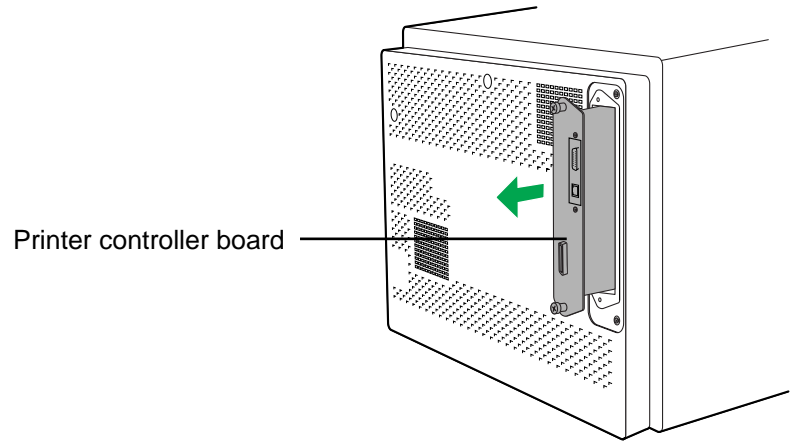
Removing and replacing the printer controller board

To remove the printer controller board:

- 1** Turn the printer OFF, unplug the power cord and disconnect any cables connected to the connectors on the back of the printer.
- 2** Loosen the two thumbscrews that secure the printer controller board to the back of the printer, using a cross-point head (+) screwdriver.



- 3** Carefully pull the printer controller board out of its slot in the printer.

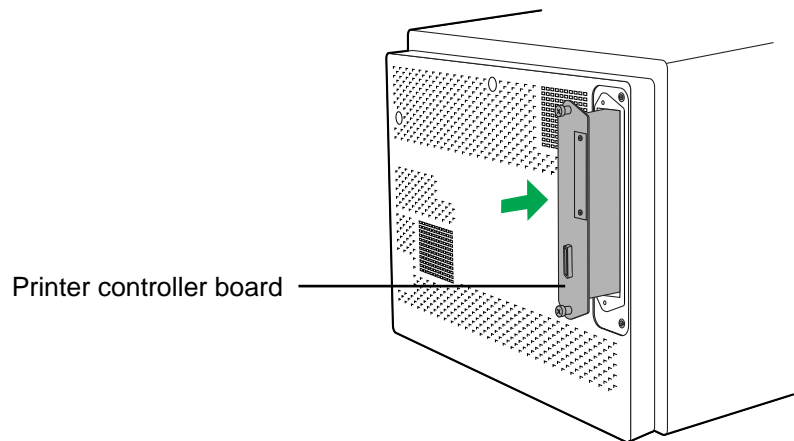


For instructions on installing printer options see:

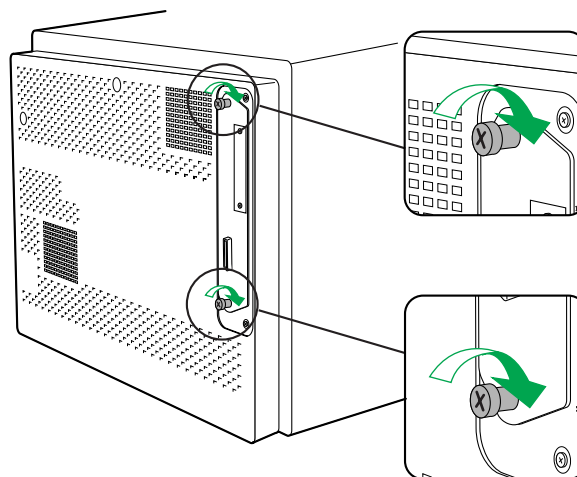
- “Installing a hard disk drive” on [page 196](#)
- “Installing additional memory” on [page 199](#)
- “Installing network cards” on [page 202](#)

To replace the printer controller board:

- 1** Align the printer controller board with the groove on the back of the printer and carefully slide it back inside the printer.



- 2** Tighten the two thumbscrews on the printer controller board that you loosened earlier, using a cross-point head (+) screwdriver.



- 3** Plug in the power cord and reconnect any cables to the back of the printer.

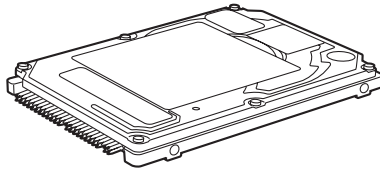
Installing a hard disk drive

The following section explains how to install the hard disk drive on the KX-P8420. It also describes how to initialize the new hard disk drive for use from the printer's front panel.

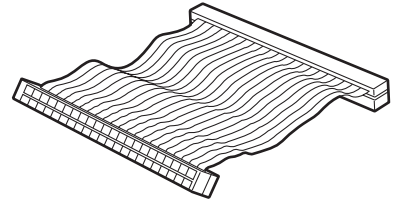
To install the hard disk drive you will need to remove the printer controller board, install the drive and then replace the printer controller board in the printer. For instructions, see "Removing and replacing the printer controller board" on [page 193](#).

Kit contents

- Hard disk drive (KX-PDHD1)



- Cable



(The shape of a cable is subject to change.)

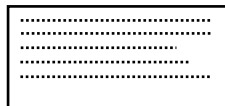
- Four screws



- Four stand offs



- Label



SAFETY CAUTION:



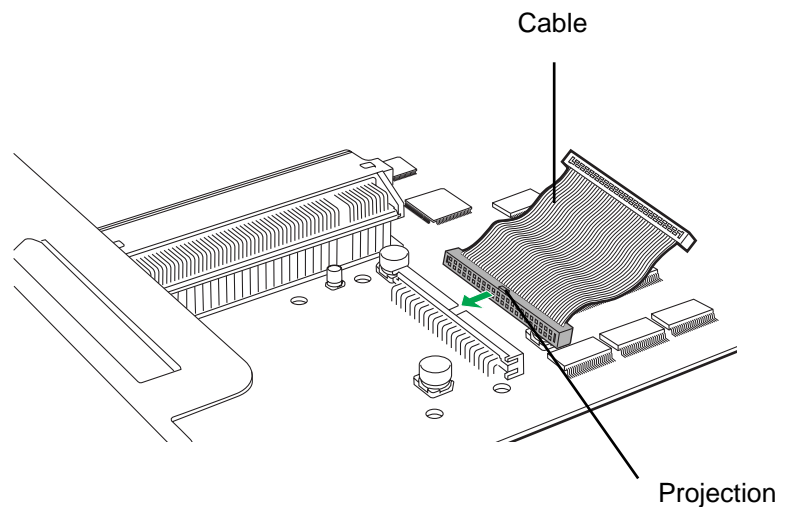
- To avoid electric shock ensure your hands are dry before touching the printer's power plug.

CAUTIONS:

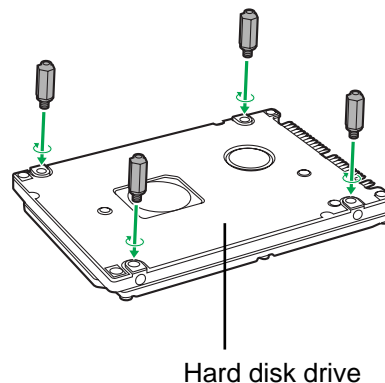
- Do not drop or bend the hard disk drive.
- Do not touch the hard disk drive connector and electrical circuit board.
- Protect the hard disk drive from static electricity by keeping it in its anti-static package until you are ready to install it.
- Avoid exposing the hard disk drive to direct sunlight, high temperatures, or humidity.

To install a new hard disk drive:

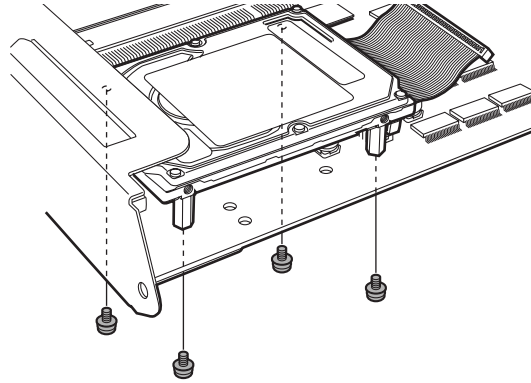
- 1** Place the printer controller board on a stable surface.
- 2** Insert the provided cable into the connector on the printer controller board, directing a projection on the cable against the groove in the connector.
Slide the cable until the click is heard.



- 3** Unpack the new hard disk drive. With the electrical circuit board side up, place the drive on a flat surface or on the palm of your hand.
Do not touch the drive with magnetic objects or place objects sensitive to magnets near the drive.
- 4** Screw the four stand offs in the back of the hard disk drive.

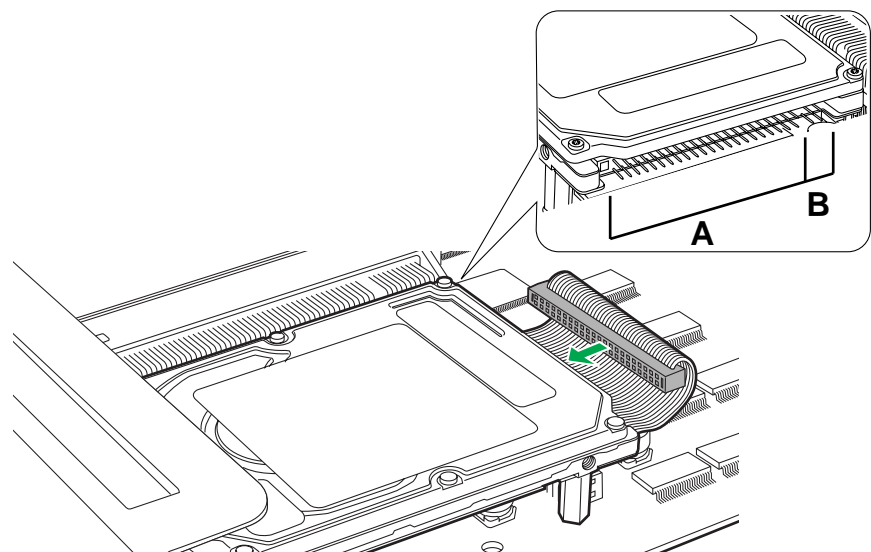


- 5** Put the four stand offs of the hard disk drive into the four holes, and secure the hard disk drive on the printer controller board with four screws.



- 6** Insert the other end of the cable into the connector on the hard disk drive.

The pins on the hard disk drive's connector are in two groups (A and B). Be sure to insert the cable into the part A.



- 7** Stick the label provided to the hard disk drive.

- 8** Replace the printer controller board in the printer.

For instructions, see "Removing and replacing the printer controller board" on [page 193](#).

Initializing the hard disk

After you install the hard disk and power on the printer, you may be prompted to initialize the new hard disk drive. If so, follow the directions below:

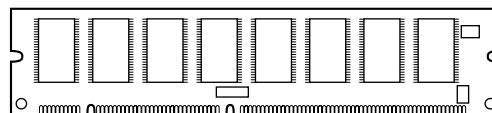
- 1** From **Ready** or **Ready(Sleep)**, press the **Menu/Exit** button to enter the **Setup** menus.
- 2** Press the **Continue/Forward** button until **Hard Disk** appears. Follow the instructions on the LCD.

Installing additional memory

The following section explains how to install a 16 or 32 MB SDRAM (Synchronous Dynamic Random Access Memory) DIMM (Dual In-line Memory Module) on the KX-P8420.

To install the SDRAM DIMM (illustrated below) you will need to do the following:

- Remove the printer controller board from the back of the printer.
- Install a 16 or 32 MB SDRAM DIMM in either of the two empty SDRAM slots on the printer controller board.
- Replace the printer controller board.



(The shape of a SDRAM DIMM is subject to change.)

IMPORTANT:

- To avoid electric shock ensure your hands are dry before touching the printer's power plug.

Kit contents

- SDRAM DIMM

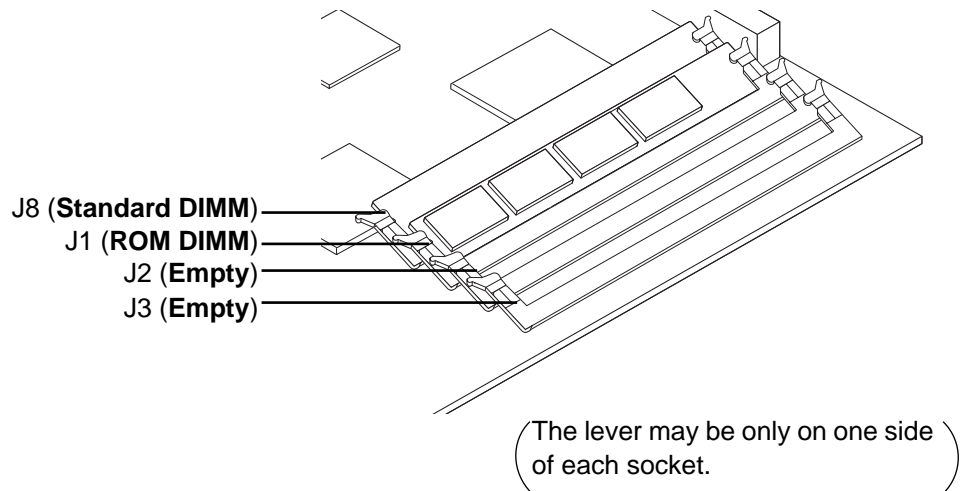
CAUTIONS:

- Do not drop or bend the SDRAM DIMM.
- Do not touch the connector edge of the SDRAM DIMM.
- Protect the SDRAM DIMM from static electricity by keeping it in its anti-static package until you are ready to install it.
- Avoid exposing the SDRAM DIMM to direct sunlight, high temperatures, or humidity.

Installing SDRAM DIMMs

The printer controller board ships with the following memory configuration:

- The DIMM slot numbered J1, is reserved for the printer's system software ROM DIMM.
- The DIMM slot numbered J8 contains a 16 MB SDRAM DIMM.
- The remaining two slots, J2 and J3 are empty.

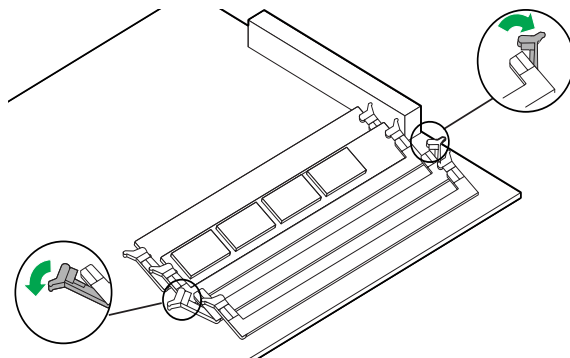


Additional SDRAM DIMMs may be purchased for your printer in 16 or 32 MB configurations, allowing your printer a maximum memory configuration of 80 MB of SDRAM.

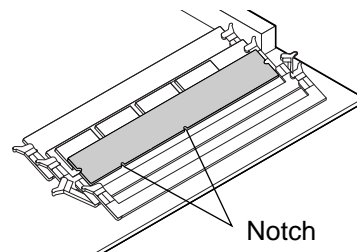
To install a SDRAM DIMM you will need to remove the printer controller board, install the SDRAM DIMM, then replace the controller board in the printer. For instructions, see "Removing and replacing the printer controller board" on [page 193](#).

To install a SDRAM DIMM:

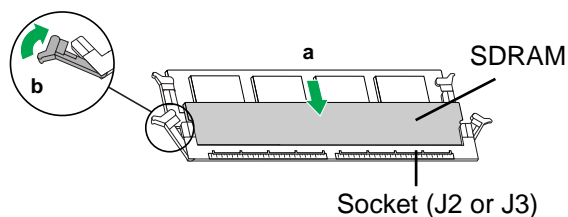
- 1** Unpack the SDRAM DIMM(s).
Do not touch the connector edge on the SDRAM DIMM.
- 2** Place the printer controller board on a stable surface.
- 3** Unlatch the lever on the side of the empty socket (J2 or J3).



- 4** Ensure that the notches on the SDRAM DIMM are aligned inside the empty socket.



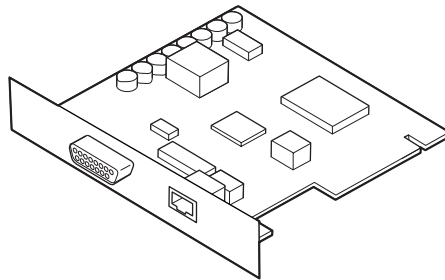
- 5** a) Slide the SDRAM DIMM into the empty socket (J2 or J3) at a 45-degree angle and push the DIMM into the socket.
b) Snap the lever(s) into place.



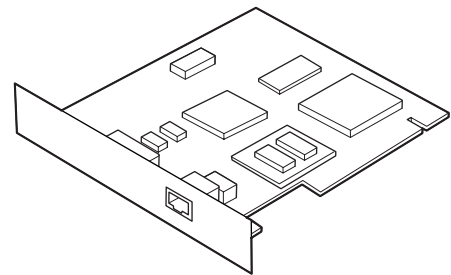
- 6** Replace the printer controller board in the printer.
For instructions, see “Removing and replacing the printer controller board” on [page 193](#).

Installing network cards

The following section explains how to install either an Ethernet (KX-PNBC5) or Token Ring (KX-PNBC6) network card (illustrated below) on the KX-P8420. It also describes how to configure the printer Setup when the new network card has been installed.



Ethernet card



Token Ring card

To install the network card you will need to do the following:

- Remove the printer controller board from the back of the printer.
- Install the network card on the printer controller board.
- Replace the printer controller board.
- Configure the printer's network setup.

IMPORTANT:

- To avoid electric shock ensure your hands are dry before touching the printer's power plug.

Kit contents

- Ethernet (KX-PNBC5) or Token Ring (KX-PNBC6) network card

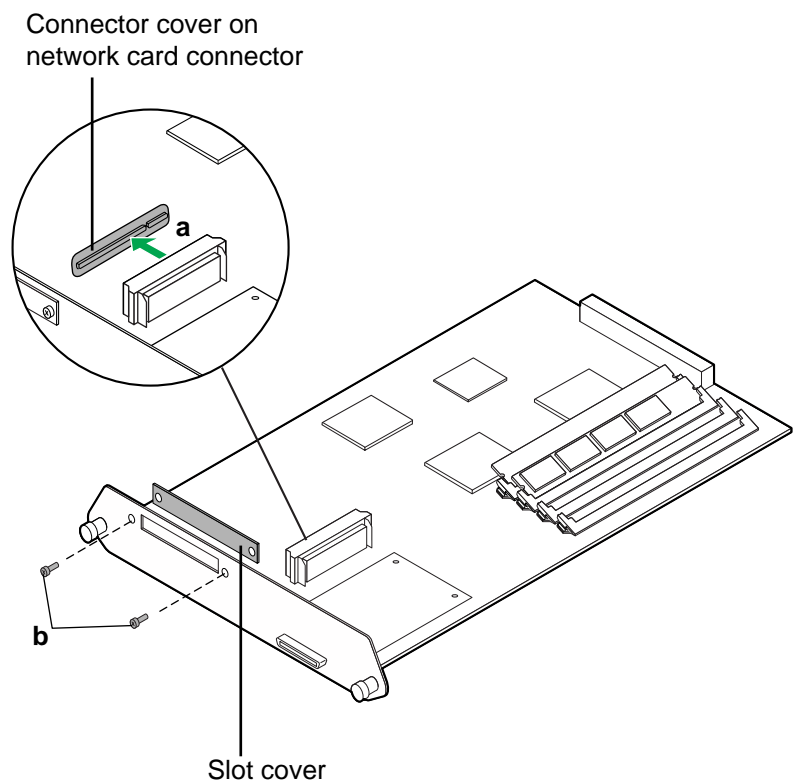
CAUTIONS:

- Do not drop or bend the network card.
- Do not touch the connector of the network card.
- Protect the network card from static electricity by keeping it in its anti-static package until you are ready to install it.
- Avoid exposing the network card to direct sunlight, high temperatures, or humidity.

Before you begin this procedure, remove the printer controller board from the printer. For instructions, see "Removing and replacing the printer controller board" on [page 193](#).

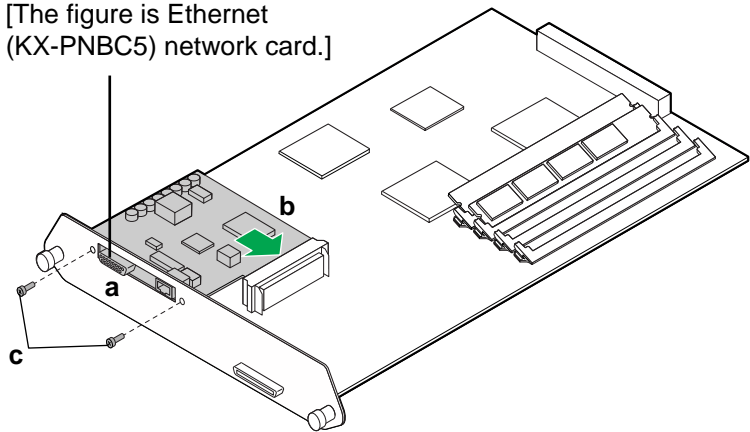
Installing a network card:

- 1** Place the printer controller board on a stable surface.
- 2**
 - a) Use a flat blade screwdriver to gently remove the connector cover on the side of the network card connector.
 - b) Remove the two screws that secure the slot cover on the front bracket, then remove the slot cover. Save the screws.



- 3**
 - a) Align the network card into the cutout in the front bracket.
 - b) Insert the network card into the network card connector.
 - c) Secure the network card to the front bracket using the two screws you removed from the slot cover.

Network card
[The figure is Ethernet
(KX-PNBC5) network card.]



- 4** Replace the printer controller board in the printer.
For instructions, see “Removing and replacing the printer controller board” on [page 193](#).
- 5** Connect the printer to a network.
For instructions, see “[Chapter 3](#) Connecting the Printer to a Network”.

Appendix

This appendix contains specifications for the following:

- Printer
- Media
- Bidirectional Parallel Interface
- Controller

Specifications

Printer

Printing method

Semiconductor Laser

Power source

Refer to the nameplate on the rear of the unit.

Temperature

Operating: 10°C to 32.5°C (50°F to 90.5°F)
Best Print Quality: 15°C to 25°C (59°F to 77°F)
Storage: 0°C to 40°C (32°F to 104°F)

Humidity

Operating: 20% to 80% RH
Best Print Quality: 30% to 70% RH
Storage: 10% to 80% RH

Warm up time

Less than 300 seconds (at 20°C)

Power consumption

850 W Max. (printing with fuser on),
40 W (standby with fuser off),
35 W (ENERGY STAR Mode) Meets ENERGY STAR power conservation requirements.

Mass {Weight} of standard unit with consumables

(without optional 2nd cassette feeder)

48.2 kg {106.2 lbs.}

Dimensions of standard unit (Without 2nd cassette feeder)

Height: 463 mm (18.2")
Depth: 493 mm (19.4")
Width: 510 mm (20.1") [784 mm (30.9") with the output tray]

Noise level

53 dB(A) [Printing Mode]
47 dB(A) [Standby mode]

Appendix

Paper output

Up to 500 sheets [75 g/m² (20 lbs.)]

Resolution

600 x 600 dpi,

1200 x 600 dpi

(more than or equal to 48 MB SDRAM required)

or

1200 x 1200 dpi

(more than or equal to 48 MB SDRAM required, with SDRAM DIMM option installed)

Maximum printing speed

3.5 ppm (Full Color), 14 ppm (Monochrome) at 600 x 600 dpi

Media

Media sizes

Media	Size	Dimensions
Paper	Letter	216 mm x 279 mm (8.5" x 11")
	A4	210 mm x 297 mm (8.3" x 11.7")
	Legal	216 mm x 356 mm (8.5" x 14")
Transparency	Letter	216 mm x 279 mm (8.5" x 11")
	A4	210 mm x 297 mm (8.3" x 11.7")
Envelope	Env. #10	104.3 mm x 241.3 mm (4.13" x 9.5")

NOTE:

- Please store your paper according to the recommendations of the manufacturer.

■ Margins and print area

When the image is printed on the media, the image (print area) is a bit smaller than the media size. You may need to adjust the page margins in the application software to match the print area.

The following table shows the page sizes, the largest print areas, and the margins for the media sizes supported on this printer.

Media	Page Size	Print area	Margins		
			Top	Bottom	Sides
Letter	216 mm x 279 mm (8.5" x 11")	208 mm x 270 mm (8.2" x 10.6")	4.2 mm (0.17")	4.3 mm (0.17")	3.9 mm (0.15")
A4	210 mm x 297 mm (8.3" x 11.7")	201 mm x 289 mm (7.9" x 11.4")	3.4 mm (0.13")	3.9 mm (0.15")	4.3 mm (0.17")
Legal	216 mm x 356 mm (8.5" x 14")	208 mm x 346 mm (8.2" x 13.6")	3.2 mm (0.13")	6.0 mm (0.24")	3.9 mm (0.15")

■ Paper weight

The printer is designed to work well with most types of paper. However, differences in paper may have significant effects on the quality of the print or the reliability of paper handling. It is strongly recommended that you always test paper before purchasing it to make sure it provides desirable performance.

Media tray	One-sided printing	B&W	60 to 105 g/m ² (16 to 28 lbs.)
		Color	75 to 105 g/m ² (20 to 28 lbs.)
Multi-purpose tray	One-sided printing	B&W	75 to 165 g/m ² (20 to 44 lbs.)
		Color	75 to 165 g/m ² (20 to 44 lbs.)
	Two-sided printing	B&W	95 to 165 g/m ² (28 to 44 lbs.)
		Color	95 to 165 g/m ² (28 to 44 lbs.)

• **Recommended paper (for optimum performance):**

LETTER/LEGAL: Hammermill LASERPRINT 90 g/m² (24 lbs.)

A4: NEUSIEDLER COLOR COPY 90 g/m²

NOTE:

- We do not recommend the use of 105 g/m² (28 lbs.) paper in areas of high or low humidity and temperature since paper feed problems may be experienced.

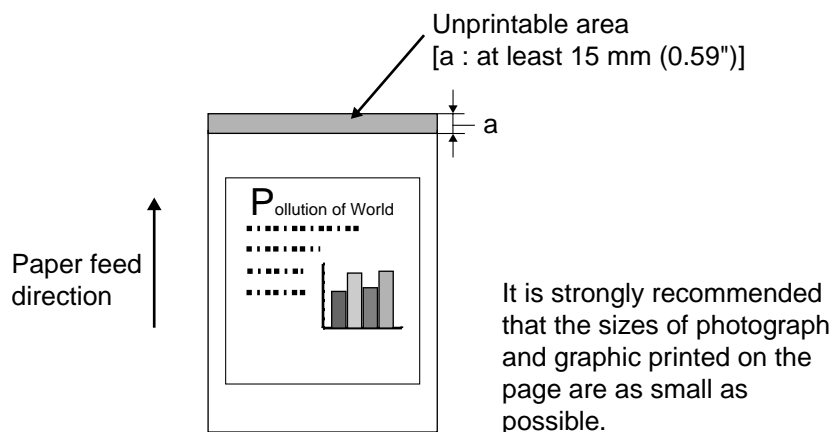
■ Types of paper to avoid

- Extremely smooth or shiny paper or paper that is highly textured
- Letterhead imprinted with low temperature or thermography. These materials may transfer onto the fusing roller and cause damage. Any pre-printed paper should use inks compatible with 200°C (392°F) for 0.1 second.
- Damaged or wrinkled paper, or paper with irregularities such as tabs, staples, etc.
- Multipart forms or carbonless paper
- Paper with a 25% or more cotton and/or fiber content
- Ink jet paper (It may transfer onto the fuser roller and cause damage.)

■ Two-sided printing (Duplex printing)

Two-sided printing is possible by using the multi-purpose tray. However, you should not expect the same print quality and reliability that you get with one-sided printing. We strongly recommend that you follow the guidelines below.

- Do not load more than 50 sheets in the multi-purpose tray.
- Before loading paper in the multi-purpose tray, adjust it so that the edges of the media are lightly touching the media guides of the multi-purpose tray.
- Use heavier paper, at least 95 to 165 g/m² (28 to 44 lbs. Bond) for reliable feed. Do not load a thin sheet of paper in the multi-purpose tray. It may cause a paper jam.
- It is strongly suggested to use color laser bond paper.
- Use multi-purpose tray for second side printing.
- Avoid printing photograph or graphic in solid color to prevent paper jamming. It may cause a damage to the printer.
- Before printing on the first side, set the unprintable area [at least 15 mm (0.59") in length] on the top of paper. (See below.)



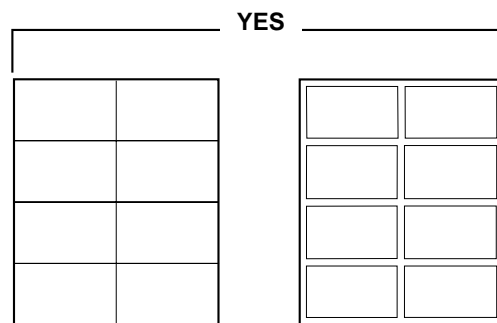
■ **Transparencies and labels**

You may also print on transparencies and labels that are made for the printer. Panasonic has tested and found that the following work satisfactorily:

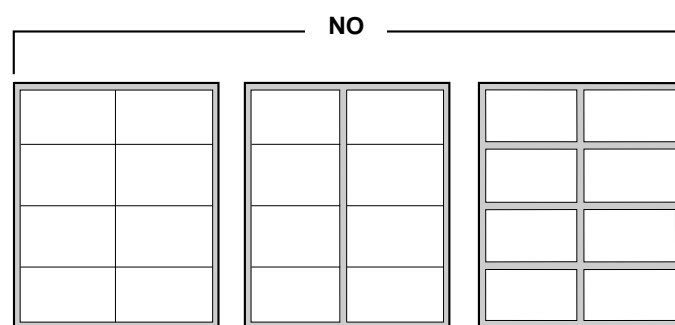
OHP transparency: 3M CG3700

Labels: AVERY 5163, AVERY 5164, AVERY 5165, Avery L7163, Avery L7165, Avery L7166, Avery L7167, Avery L7168, Avery L7169

- Re-using transparencies that have been fed through the printer once (for example, after jams or if the transparency is ejected without being printed) can reduce the life of the consumables and paper path components.
- When using transparencies, if the print quality is poor, print on the other side.
- With any label stock, the labels must completely cover the backing material.



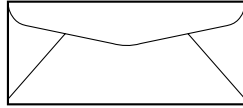
Labels cover the entire backing material.



The backing material is exposed.

■ Envelopes

It is recommended that you print in black text only and purchase high quality #10 laser envelopes with diagonal seams, as shown in the diagram below:



High quality envelopes have the following characteristics:

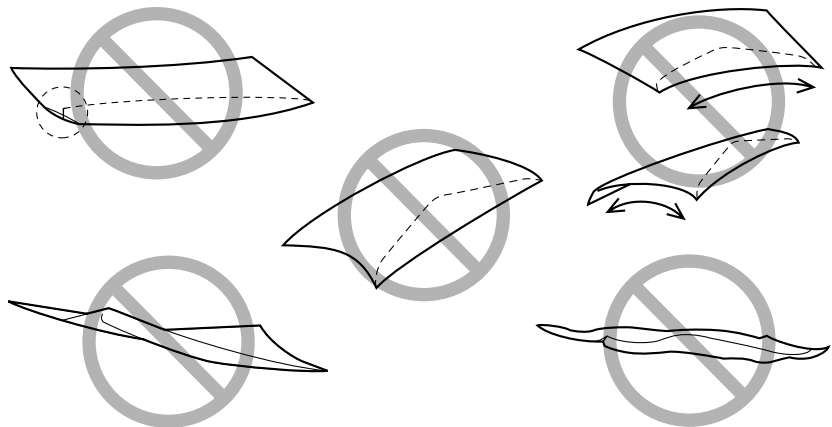
- A thin, sharply creased leading edge
- Paper weight of 90 g/m² (24 lbs.)
- Flat, free of curls, wrinkles, nicks, etc.

NOTE:

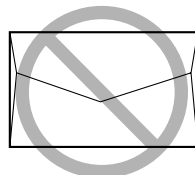
- Wrinkle may occur in some case, even if high quality envelopes are used.

It is not recommended that you use envelopes with any of the following characteristics (using these may result in paper jams):

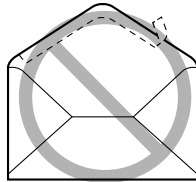
- Irregularly shaped envelopes
- Envelopes with curls, wrinkles, nicks, twists, dog-ears or other damage



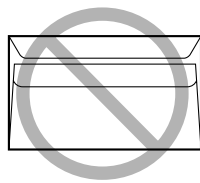
- Envelopes with side seam construction



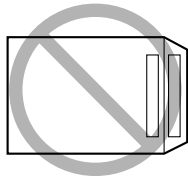
- Highly textured envelopes, or with extremely shiny surfaces
- Envelopes that seal by removing a peel-off strip



- Envelopes with more than one flap to be sealed



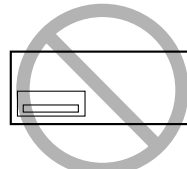
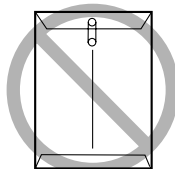
- Self-adhesive envelopes



- Envelopes that are baggy or not sharply creased
- Embossed envelopes
- Envelopes that have previously been printed on

Do not attempt to print on any of the following types of envelopes. These may cause damage to your printer.

- Envelopes with clasps, snaps or tie strings (as illustrated on left below)
- Envelopes with transparent windows (as illustrated on right below)
- Envelopes that will melt, discolor, scorch offset or release hazardous emissions when exposed to 200°C (392°F) for 0.1 second
- Envelopes that use encapsulated types of adhesive that do not require moistening but rely on pressure to seal them



Always test a sample of the envelopes you are thinking of buying. Confirm that the envelope performs acceptably.

■ For best printing results

- Avoid printing in high humidity i.e., above 70% RH.
High humidity may cause the envelope to curl and pick up excess toner.
High humidity may also cause the envelope to seal.
- Avoid printing below 10°C (50°F) with less than 30% RH.
Low temperature with low humidity may cause light printing.
- Print only one envelope at a time.

Envelope storage is very important. Store them away from moisture and humid air, where they can lay flat and their edges won't be bent or damaged. The humidity should not exceed 70% RH.

Bidirectional Parallel Interface

The bidirectional parallel interface is based on the IEEE P1284-C standard.

If your computer has a bidirectional parallel port, the printer driver and printer can take advantage of faster data transfer.

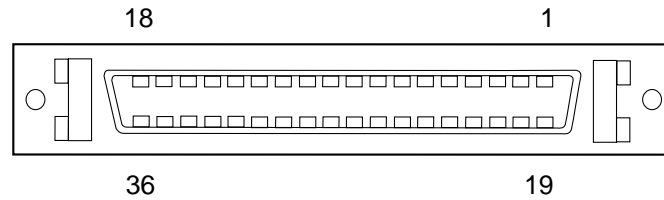
■ Specifications

Connector Type	IEEE 1284-C type connector
Cable	Use a shielded cable 1.8 m (5.9 ft) or less in length.

■ Pin configuration

Signal pin	Return side pin	Signal
1	19	Busy
2	20	Select
3	21	nAck
4	22	nFault
5	23	PError
6	24	Data 1
7	25	Data 2
8	26	Data 3
9	27	Data 4
10	28	Data 5
11	29	Data 6
12	30	Data 7
13	31	Data 8
14	32	nInit
15	33	nStrobe
16	34	nSelectin
17	35	nAutoFd
18	—	+5V(Host)
36	—	+5V(Peripheral)

■ Parallel Interface connector (printer side)



NOTES:

- “Return” denotes the return side wire of a twisted pair cable and is connected to signal ground.
- Be sure to use only a shielded cable. The printer will not operate properly if any of the pin is not connected.

Controller

CPU

133 MHz, R4700 CPU

Hard disk drive

Option

ROM

16 MB

Memory (SDRAM)

Standard: 16 MB SDRAM DIMM

Optional: additional 16 MB or 32 MB SDRAM DIMM upgrades available.
(Expandable to a maximum 80 MB of SDRAM)

Host interface

IEEE compliant, 1284 type C, Mini-Centronics parallel port interface

Ethernet card (option): AUI and RJ-45 (10/100Base TX)

Token Ring card (option): RJ-45

User interface

24 character, 2 line LCD panel, 2 indicators

NVRAM

1 MB

Index

Numerics

10Base2, 5, T Ethernet cable 49

A

Active ports, specifying 46
Add Port option 87
AppleTalk 52
 connecting to Macintosh 102
 enabling 110
AppleTalk Setup 110
AppleTalk Zone 120
AppleTalk Zone option 110

B

Bias adjustment, performing 129
Bidirectional parallel interface 213–214
Bindery
 emulation mode 120
Bindery Setup 120
 on the server 123–124
 requirements 123
Buttons, printer front panel 28

C

Cables, types supported 20, 49
 See also parallel cables
Calibration
 Bias adjustment 129–133
 Color adjustment 141–143
 VisualCal 134–140
Cancel/Left button 28
Canceling Job, status message 44
Cautions
 CD-ROM 18
 installing network cards 202
 installing SDRAM DIMM 199
 using the printer 16–17
Change System Settings option 92
Cleaning 144–148
CMYK Color Reference 96
Color
 adjustment 141–143
 calibration 128–143
Color reference pages 96, 97
ColorSync printer profile 103, 104

ColorWise Color Adjustment 21
Connecting
 Macintosh by AppleTalk 69
Connecting printer
 using parallel cable 52
 using thicknet cable 50
 using thinnet cable 50
 using twisted pair cable 51
Connector 50–52, 213
Continue/Forward button 28
Controller specifications
 Central Processing Unit (CPU) 214
 host interface 214
 NVRAM size 214
 user interface 214

D

Device name, Windows NT 4.0 with TCP/IP 88
DNS (Domain Name Server) name 88
Dots per inch (dpi), of printer 20

E

Enable AppleTalk option 110
Enable IPX/SPX option 111
ENERGY STAR mode 107
Enter button 28
Error indicator 27, 45
Error messages 177
 “No AppleTalk zone found” 120
 displayed on printer front panel 45
Ethernet cable, types supported 49
Ethernet network card, installing 202–204
EtherTalk Phase 2 23

Index

F

- Features 20
- Fiery WebDownloader 59, 70
- Fiery WebSetup 112–127
 - Network Setup 116–126
 - Printer Setup 126–127
 - System Setup 114–115
- Fiery WebTools 70
 - enabling 118
 - requirements for 112
- Fonts
 - PostScript Type 1 94
 - TrueType 94, 96, 105
- Front panel 27
- Front panel menus 45–46
- Front panel service calls 183
- Front panel status and error messages . . 177–183

H

- Hard disk drive
 - initializing 111, 199
 - installing 196–198

I

- Installing
 - additional memory 199–201
 - additional software, Macintosh 105
 - additional software, Windows 94
 - fonts 94
 - hard disk drive 196–198
 - network cards 202–204
 - parallel port printing 80
 - PostScript printer driver for Macintosh 101
 - PostScript printer driver for Windows 3.1 . . . 89
 - PostScript printer driver for Windows 95 . . . 78
 - PostScript printer driver for
 - Windows NT 4.0 83
 - SDRAM DIMM 200
- Interface
 - Bidirectional parallel interface 213, 214
 - cables 23, 213
- Internal name, for Windows NT 4.0
 - with TCP/IP 88
- Internet browsers 59, 70
- Internet Explorer 59
- Internet Explorer 4.x 71

- IP address 53, 72, 88, 109
- IPX
 - Windows 3.1 92
- IPX (Novell) 61
 - Bindery file server, connecting 123
 - NetWare client setup 69, 81, 92
 - NetWare server setup 62–65
 - overview of printing 61
 - selecting frame 120
 - setting bindery context 63–65
 - terms used to describe 123
 - with Macintosh computers 69
- IPX/SPX 81, 82
- IPX/SPX printing, set up 81, 92

J

- Jams, clearing 153–166
- Java Applet enabling 71
- Job name, of current print job 44

L

- Language setup 111
- Life of supplies 152
- Lights, on printer front panel 27
- Loopback address 118, 119
- Lpr (TCP/IP) 53
 - displaying the queue 60
 - platforms supporting printer 53
 - print queues 55
 - printing 60
 - setting up system 55–58
 - setup summary 53–54
- LPR printing 86, 87

M

- Macintosh computers
 - on IPX (Novell) network 69
 - on TCP/IP network 59
 - printer use with 23
 - printing on 100
- Media attachment unit (MAU) 49, 51
- Memory
 - installing additional 199–201
- Menu/Exit button 28
- Messages
 - error 45
 - status 44
- Microsoft Internet Explorer, *see* Internet Explorer
- Microsoft SMB protocol 125
- Microsoft TCP/IP Printing software 86
- Microsoft Windows system software 23
- Mouse devices 23
- Multiple Bindery file servers, connecting 123

N

- NDS (NetWare Directory Services)
 - Setup on the server 121–122
- NDS Setup 121
- NDS tree
 - browsing 121
 - selecting 122
- Netscape 3.x 71
- Netscape 4.x 71
- NetWare
 - Bindery and NDS on the same network . . . 121
 - client setup, Windows 95 81
 - network port with Windows 3.1 92
- NetWare 4.x bindery context 63
- NetWare File Server 66
- NetWare File Server, Bindery
 - setting up more than one 123
- NetWare Print Console 66
- NetWare Print Server 67
- NetWare queue 67
- Network cards 202–204
- Network protocols 46, 109
- Network settings
 - using Fiery WebSetup 112–127
 - using front panel 46, 107–111
- Novell NetWare (shell version 3.26 and above)
 - option 92

O

- Off-line, printer status 27
- On-line, printer status 27
- Options 193

P

- Pages, color reference 96
- Pages. *See also* test pages
- PANTONE Coated Color Reference 96
- Parallel cable, connecting to printer 52, 213
- Parallel interface 213
- Parallel port 52, 213
 - setup printing 80, 107
- Parallel Port Setup, remote 117
- Part names 26
- Peer to peer printing, *see* Windows (SMB) printing
- Ping 58
- PostScript files, printing 117
- Power Saver Mode message 44
- Print Cover Page option 127
- Print queues
 - defined 61
 - NetWare server 67
- Print to PS Error option 127
- Printcap 56
- Printer
 - bias adjustment feature 129
 - calibrating 135
 - color adjustment feature 141
 - color calibration 21, 128–143
 - color capabilities 21
 - enabling AppleTalk option 110
 - enabling IPX/SPX 111
 - font list 94
 - front panel service calls 183
 - front panel status messages
 - and warnings 177
 - home page 72
 - specifying
 - AppleTalk zone 110
 - IPX/SPX Setup 111
- Printer controller board 193–195
- Printer drivers
 - installing 78, 83, 89

P

Printer front panel

- activity lights 27
- buttons 28
- Canceling Job 44
- error messages 177
- Network Setup menu 107–111
- overview 27–28, 44–48
- service calls 183
- specifying network settings 46, 107–111
- specifying printer settings 45, 106

Printer specifications

- margins and print area 38, 207
- mass 205
- maximum printing speed 20, 206
- noise level 205
- operating temperature 205
- paper output 206
- power source 205
- print resolution 206
- printer dimensions 205
- printing method 205
- supported media sizes 206
- warm up time 205

Printing

- calibration pages 129, 134
- Canceling Job status message 44
- directly to parallel port 117
- envelopes 210
- from serial port (LocalTalk) 100
- IEEE 1284 compliant parallel port
 - connection 20
- paper weight 207
- PostScript files 117
- processed message during 44
- Transparencies and Labels 209
- troubleshooting 167–176
- two-sided printing 208
- types of paper to avoid 208

Printing, status message 44

Printing, test pages 47

Problems, printing 45

Processing, status message 44

Protocols 52

- lpr (TCP/IP) 55
- supported 20

PSCRIPT.DLL file 83

PServer Mode 121

PServer Setup 120, 121

Q

Queues

- on NetWare server 67

R

Ready indicator 27

Remote Printer Setup 112–127

Removing 98

Removing the Panasonic KX-P8420 software

- Windows 3.1 98
- Windows 95 98
- Windows NT 4.0 99

Repacking 184–192

Reset Queues 111

Resolution, of printer 20, 206

RGB source profiles 21

Running Setup remotely 112–127

S

Screen fonts

- Macintosh 105
- Windows 94

SDRAM 214

SDRAM DIMM 199–201

Serial port printing (LocalTalk) 100

Server Name option 125

Service call messages 183

Setting up printing

- Macintosh 102–105
- Windows 3.1 90–93
- Windows 95 79–82
- Windows NT 4.0 84–88

Setting up the printer 29–48

SMB printing 73–76, 125

Software installation 77

Space requirements 24

Specifications 205

Specifying

- AppleTalk zone 110
- Spool directory, UNIX server 56

System requirements

- Macintosh 23
- PC 23

System Setup option 46

T

- TCP/IP 53
 - enabling 53
 - setting up printing in Windows NT 4.0 87
 - setting up the printer 86
- 10Base2, 5, T Ethernet cable 49
- Terminology, Novell 123
- Test pages, printing 47
- Thicknet cable 20, 50
- Thinnet cable 20, 50
- Token Ring network card, installing 202–204
- Troubleshooting
 - printing problems 167–176
- Twisted pair cable 20, 51

U

- UNIX systems
 - printing 60
 - setting up 55–58
- Unpacking 25
- User Login object 122

V

- VisualCal calibration method 134–140

W

- WebSetup 112–127
- Windows 3.1
 - installing Adobe PostScript printer driver ... 89
 - installing TrueType fonts 95
- Windows 95
 - installing TrueType fonts 95
 - IPX/SPX 81, 82
 - PostScript printing 78
- Windows NT 4.0
 - device name 88
 - installing PostScript printer driver 83
 - installing TrueType fonts 96
 - running WebDownloader with Netscape
 - Communicator 59
 - setting up TCP/IP printing 87
- WINS IP Address option 126

Z

- Zones, AppleTalk 110